



Nothing but **HEAVY DUTY**.®



M18 BQSS

Original instructions

Originalbetriebsanleitung

Notice originale

Istruzioni originali

Manual original

Oorspronkelijke gebruiksaanwijzing

Original brugsanvisning

Original bruksanvisning

Bruksanvisning i original

Alkuperäiset ohjeet

Πρωτότυπο οδηγίων χρήσης

Orijinal işletme talimatı

Původním návodem k
používání

Pôvodný návod na použitie

Instrukcją oryginalną

Eredeti használati utasítás

Izvirna navodila

Originalne pogonske upute

Instrukcijām oriģinālvalodā

Originali instrukcija

Algupärane kasutusjuhend

Оригинальное руководство
по эксплуатации

Оригинално ръководство за
експлоатация

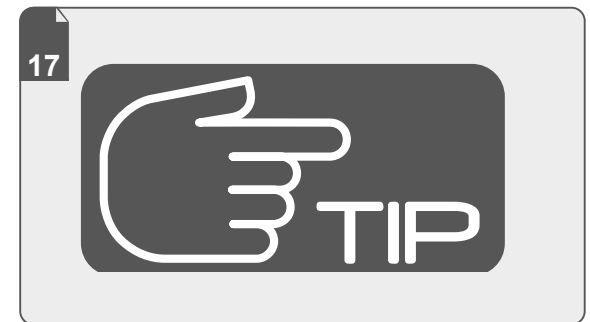
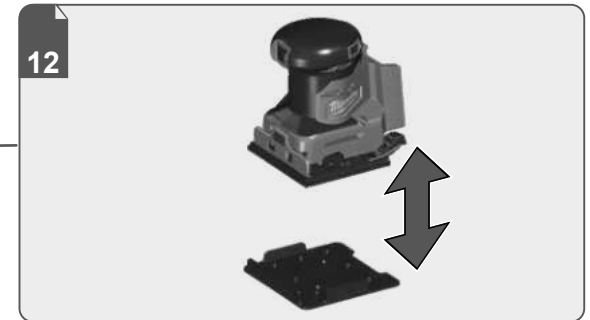
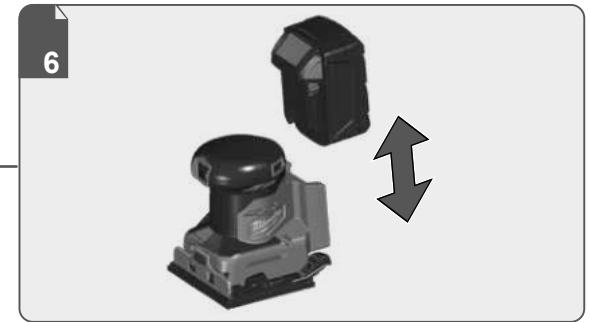
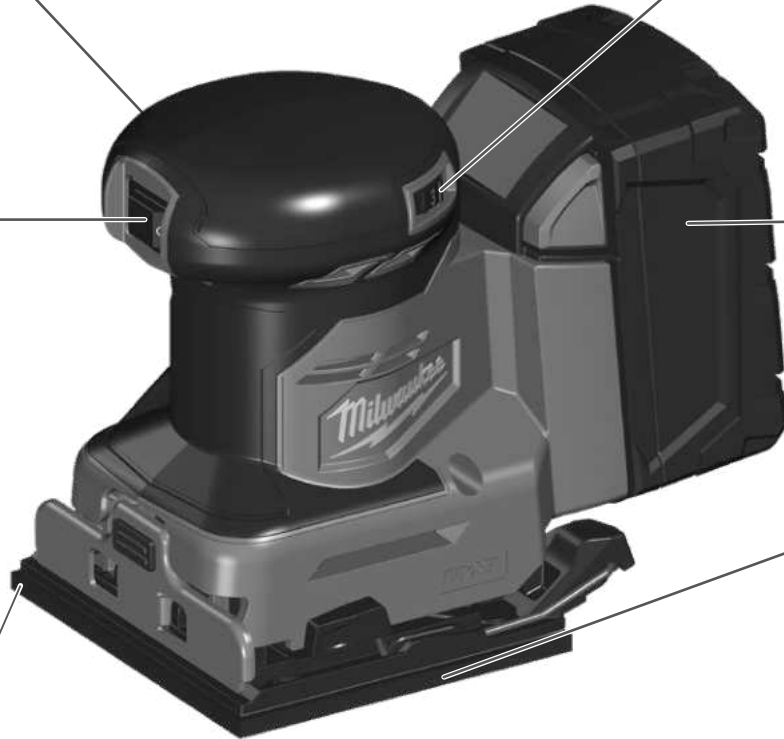
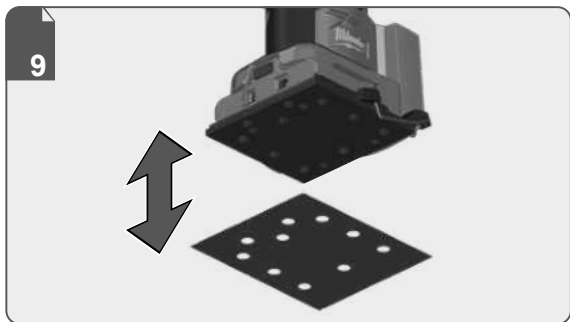
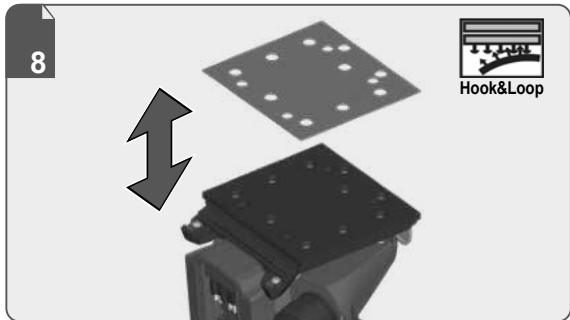
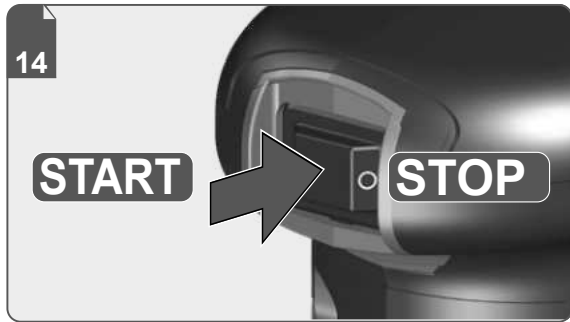
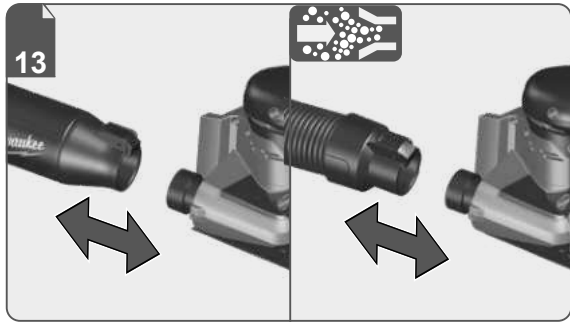
Instrucțiuni de folosire origi-
nale

Оригинален прирачник за
работа

Оригінал інструкції з
експлуатації

التعليمات الأصلية

ENGLISH	Picture section with operating description and functional description	Page	4	Text section with Technical Data, important Safety and Working Hints and description of Symbols	Page	18
DEUTSCH	Bildteil mit Anwendungs- und Funktionsbeschreibungen	Seite	4	Textteil mit Technischen Daten, wichtigen Sicherheits- und Arbeitshinweisen und Erklärung der Symbole.	Seite	21
FRANÇAIS	Partie imagée avec description des applications et des fonctions	Page	4	Partie textuelle avec les données techniques, les consignes importantes de sécurité et de travail ainsi que l'explication des pictogrammes.	Page	24
ITALIANO	Sezione illustrata con descrizione dell'applicazione e delle funzioni	Pagina	4	Sezione testo con dati tecnici, importanti informazioni sulla sicurezza e sull'utilizzo, spiegazione dei simboli.	Pagina	27
ESPAÑOL	Sección de ilustraciones con descripción de aplicación y descripción funcional	Página	4	Sección de texto con datos técnicos, indicaciones importantes de seguridad y trabajo y explicación de los símbolos.	Página	30
PORTUGUES	Parte com imagens explicativas contendo descrição operacional e funcional	Página	4	Parte com texto explicativo contendo Especificações técnicas, avisos de segurança e de operação e a descrição dos símbolos.	Página	33
NEDERLANDS	Beeldgedeelte met toepassings- en functiebeschrijvingen	Pagina	4	Tekstgedeelte met technische gegevens, belangrijke veiligheids- en arbeidsinstructies en verklaring van de symbolen.	Pagina	36
DANSK	Billeddel med anvendelses- og funktionsbeskrivelser	Side	4	Tekstdel med tekniske data, vigtige sikkerheds- og arbejdsanvisninger og symbolforklaring.	Side	39
NORSK	Billeddel med bruks- og funksjonsbeskrivelse	Side	4	Tekstdel med tekniske data, viktige sikkerhets- og arbeidsinstruksjoner og forklaring av symbolene.	Side	42
SVENSKA	Bilddel med användnings- och funktionsbeskrivning	Sidan	4	Textdel med tekniska informationer, viktiga säkerhets- och användningsinstruktioner samt symbolförklaringar.	Sidan	45
SUOMI	Kuvasivut käyttö- ja toimintakuvaus	Sivu	4	Tekstisivut: tekniset tiedot, tärkeät turvallisuus- ja työskentelyohjeet sekä merkien selitykset.	Sivu	48
ΕΛΛΗΝΙΚΑ	Τμήμα εικόνων με περιγραφές χρήσης και λειτουργίας	Σελίδα	4	Τμήμα κειμένου με τεχνικά χαρακτηριστικά, σημαντικές υποδείξεις ασφαλείας και εργασίας και εξήγηση των συμβόλων.	Σελίδα	51
TÜRKÇE	Resim bölümü Uygulama ve fonksiyon açıklamaları ile birlikte	Sayfa	4	Teknik bilgileri, önemli güvenlik ve çalışma açıklamalarını ve de sembollerin açıklamalarını içeren metin bölümü.	Sayfa	54
ČESKY	Obrazová část s popisem aplikací a funkcí	Stránka	4	Textová část s technickými daty, důležitými bezpečnostními a pracovními pokyny a s vysvětlivkami symbolů	Stránka	57
SLOVENSKY	Obrazová časť s popisom aplikácií a funkcií	Stránka	4	Textová časť s technickými dátami, dôležitými bezpečnostnými a pracovnými pokynmi a s vysvetlivkami symbolov	Stránka	60
POLSKI	Część rysunkowa z opisami zastosowania i działania	Strona	4	Część opisowa z danymi technicznymi, ważnymi wskazówkami dotyczącymi bezpieczeństwa i pracy oraz objaśnieniami symboli.	Strona	63
MAGYAR	Képes részalkalmazási- és működési leírásokkal	Oldal	4	Szöveges rész műszaki adatokkal, fontos biztonsági- és munkavégzési útmutatásokkal, valamint a szimbólumok magyarázata.	Oldal	66
SLOVENŠČINA	Del slikez opisom uporabe in funkcij	Stran	4	Del besedila s tehničnimi podatki, pomembnimi varnostnimi opozorili in delovnimi navodili in pojasnili simbolov.	Stran	69
HRVATSKI	Dio sa slikamasa opisima primjene i funkcija	Stranica	4	Dio štiva sa tehničkim podacima, važnim sigurnosnim i radnim uputama i objašnjenjem simbola.	Stranica	72
LATVISKI	Attēla daļa ar lietošanas un funkciju aprakstiem	Lappuse	4	Teksta daļa ar tehniskajiem parametriem, svarīgiem drošības un darbības norādījumiem, simbolu atšifrējumiem.	Lappuse	75
LIETUVIŠKAI	Paveikslėlio dalis su vartojimo instrukcija ir funkcijų aprašymais	Puslapis	4	Teksto dalis su techniniais duomenimis, svarbiomis saugumo ir darbo instrukcijomis bei simbolių paaiškinimais.	Puslapis	78
EESTI	Pildiosa kasutusjuhendi ja funktsioonide kirjeldusega	Lehekülg	4	Tekstiosa tehniliste näitajate, oluliste ohutus- ja tööjuhenditega ning sümbolite kirjeldustega.	Lehekülg	81
РУССКИЙ	Раздел иллюстраций с описанием эксплуатации и функций	Страница	4	Текстовый раздел, включающий технические данные, важные рекомендации по безопасности и эксплуатации, а также описание используемых символов.	Страница	84
БЪЛГАРСКИ	Част със снимки с описание за приложение и функции	Страница	4	Част с текст с технически данни, важни указания за безопасност и работа и разяснение на символите.	Страница	87
ROMÂNĂ	Secvența de imagine cu descrierea utilizării și a funcționării	Pagina	4	Porțiune de text cu date tehnice, indicații importante privind siguranța și modul de lucru și descrierea simbolurilor.	Pagina	90
МАКЕДОНСКИ	Дел со сликисо описи за употреба и функционирање	Страница	4	Текстуален дел со Технички карактеристики, важни безбедносни и работни упатства и објаснување на симболите.	Страница	93
УКРАЇНСЬКА	Частина з зображеннями з описом робіт та функцій	Сторінка	4	Текстова частина з технічними даними, важливими вказівками з техніки безпеки та експлуатації і поясненням символів.	Сторінка	96
عربي	قسم الصور يوجد به الوصف التشغيلي والوظيفي	الصفحة	4	القسم النصي المزود بالبيانات الفنية والنصائح الهامة للسلامة والعمل ووصف الرموز	الصفحة	100





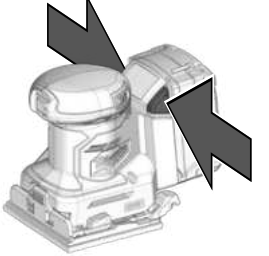
1



2



1



2



Remove the battery pack before starting any work on the machine.
Vor allen Arbeiten an der Maschine den Wechselakku herausnehmen.

Avant tous travaux sur la machine retirer l'accu interchangeable.

Prima di iniziare togliere la batteria dalla macchina.

Retire la batería antes de comenzar cualquier trabajo en la máquina.

Antes de efectuar cualquier intervención na máquina retirar o bloco acumulador.

Voor alle werkzaamheden aan de machine de akku verwijderen.

Ved arbejde inden i maskinen, bør batteriet tages ud.

Ta ut vekselbatteriet før du arbeider på maskinen

Drag ur batteripaket innan arbete utföres på maskinen.

Tarkista pistotulppa ja verkkojohto mahdollisilta vaurioilta. Viat saa korjata vain alan erikoismies.

Πριν από κάθε εργασία στη μηχανή αφαιρέστε την ανταλλακτική μπαταρία.

Aletin kendingde bir çalışma yapmadan önce kartuş aküyü çıkarın.

Před zahájením veškerých prací na vrtacím šroubovákú vyjmout výměnný akumulátor.

Pred každou prácou na stroji výměnný akumulátor vytiahnuť.

Przed przystąpieniem do jakichkolwiek prac na elektronarzędziu należy wyjąć wkładkę akumulatorową.

Karbantartás, javítás, tisztítás, stb. előtt az akkumulátort ki kell venni a készülékből.

Pred deli na stroju izvlécite izmenljivi akumulator.

Prije svih radova na stroju izvaditi bateriju za zamjenu.

Pirms mašīnai veikt jebkāda veida apkopes darbus, ir jāizņem ārā akumulators.

Prieš atlikdami bet kokius darbus įrenginyje, išimkite keičiamą akumuliatorių.

Enne kõiki töid masina kallal võtke vahetavat aku välja.

Виньте аккумулятор из машины перед проведением с ней каких-либо манипуляций.

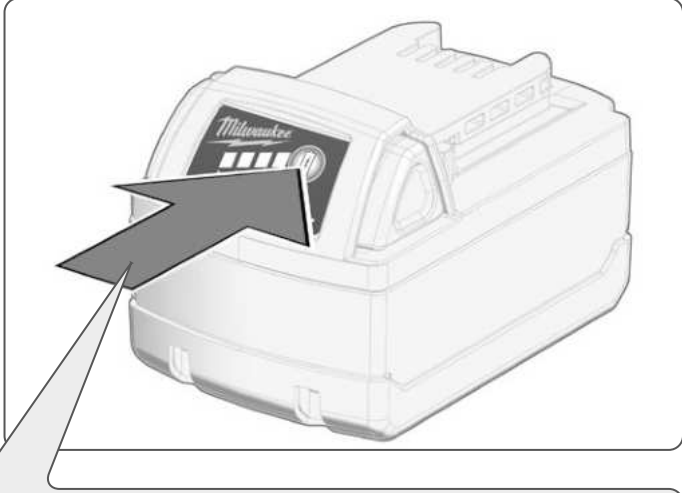
Преди започване на каквото е да е работи по машината извадете акумулатора.

Scoateți acumulatorul înainte de a începe orice intervenție pe mașină.

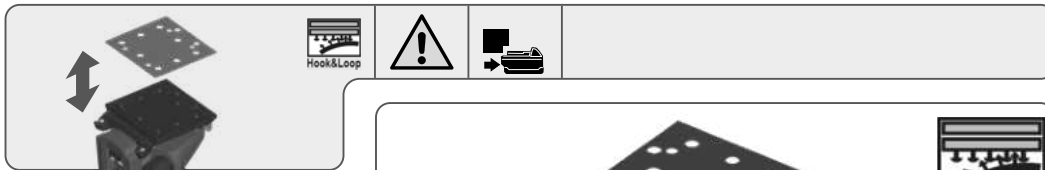
Отстранете ја батеријата пред да започнете да ја користите машината.

Перед будь-якими роботами на машині ви́йняти змінну акумуляторну батарею.

قم بتراسة حزمة البطارية قبل البدء في أي أعمال على الجهاز.



	75-100 %
	50-75 %
	25-50 %
	10-25 %
	< 10 %



Press carefully the fuzzy side of sanding disc against the packaging pad, as firmly as possible.

Die Haftseite des Schleifpads vorsichtig auf den Schleifteller auflegen und so fest wie möglich andrücken.

Placer la face adhérente du disque abrasif avec précaution sur le plateau de meulage et presser aussi fermement que possible.

Appoggiare attentamente il lato adesivo del dischetto levigante sul piatto levigatore e premere il più forte possibile.

Colocar cuidadosamente la parte adherente del disco lijador en el plato de lijar y presionar tan fuerte como sea posible.

Colocar com cuidado o lado aderente da folha de lixa sobre o disco de lixa e pressioná-lo o melhor possível contra este.

Plaats de hechtende zijde van de schuurpad voorzichtig op de schuurschijf in druk het zo vast mogelijk aan.

Sæt silberondellens fastgørelsesside forsigtigt på silbetallerkenen og tryk den så fast som muligt.

Legg slipepadsens klebeside forsiktig på slipeplaten og trykk den på så fast som mulig.

Placera slipkuddens vidhäftande sida försiktigt på sliptalriken och tryck sedan så hårt som möjligt.

Aseta hiomalaikan tarttumapinta varovasti hiomalevyille ja paina se kiinni niin lujaan kuin suinkin mahdollista.

Τοποθετήστε προσεκτικά την κολλητική πλευρά του γυαλόχαρτου στο δίσκο λείανσης και πιέστε το όσο πιο δυνατά γίνεται.

Zimpara diskinin yapışkan tarafını zimpara tablasının üzerine dikkatlice oturtun ve mümkün olduğu kadar kuvvetli bir şekilde bastırın.

Přilnavou stranu brusného kotouče položte na brusný talíř a čo najpevnejši priláče.

Prilnavú stranu brusného kotúča položte na brusný tanier a čo najpevnejšie priláče.

Stronę przyczepną podkładki szlifierskiej należy przyłożyć ostrożnie do tarczy szlifierskiej i jak najsilniej docisnąć.

A csiszolópapra tapadó oldalát helyezze óvatosan a csiszológépra, és a lehető legerősebben nyomja rá.

Oprijemalno stran brusline podloge previdno položiti na bruslini krožnik in jo čim bolj močno pritisniti na krožnik.

Stranu prijanjanja brusnog runa oprezno postaviti na klizni tanjur i pritisnuti što jače.

Pielīpošo slīpēšanas pamatnes pusi uzmanīgi novietojiet uz slīpēšanas diska un pēc iespējas stingrāk piespiediet.

Kibiją šlifavimo pado pusę atsargiai uždėkite ant šlifavimo disko ir kaip galima stipriau prispauskite.

Осторожно наложите липучку шлифовального круга на шлифовальную тарелку и прижмите настолько сильно, насколько это возможно.

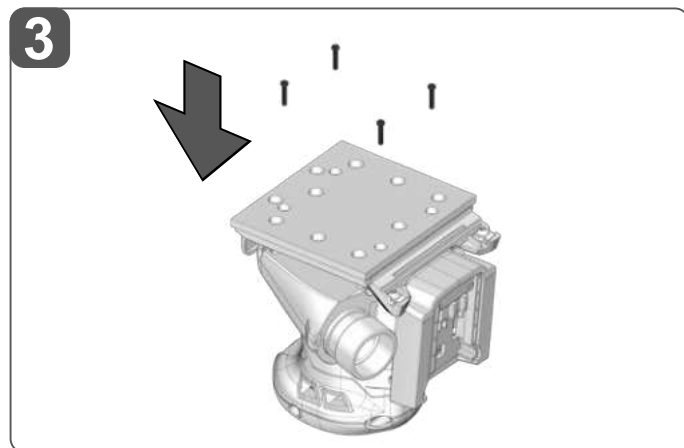
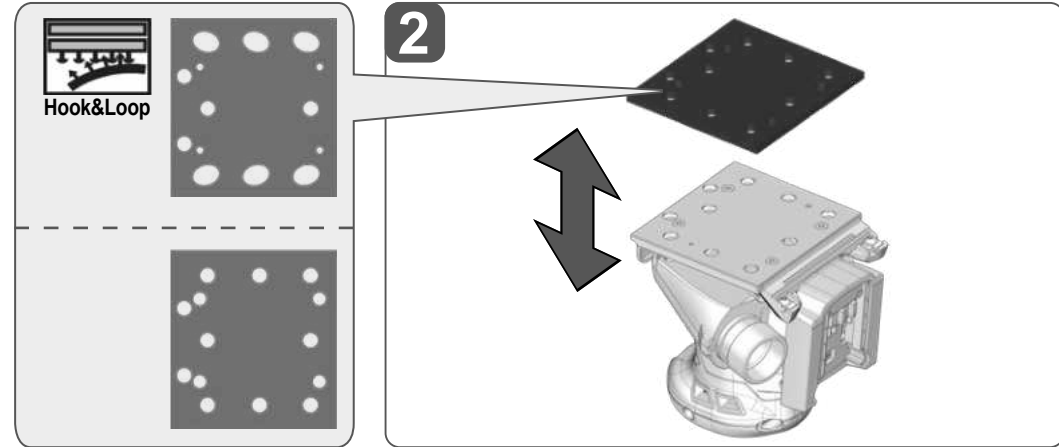
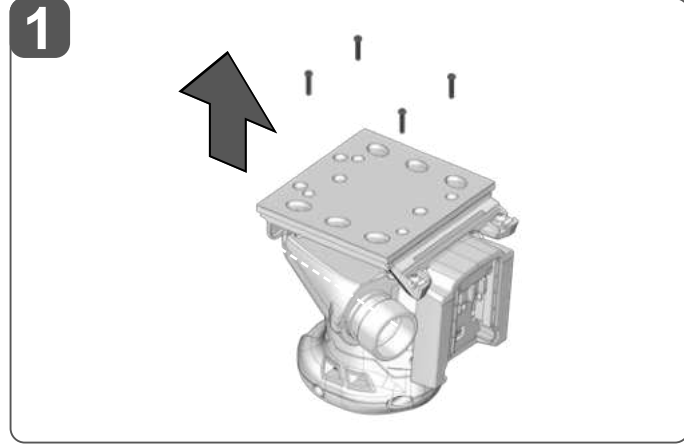
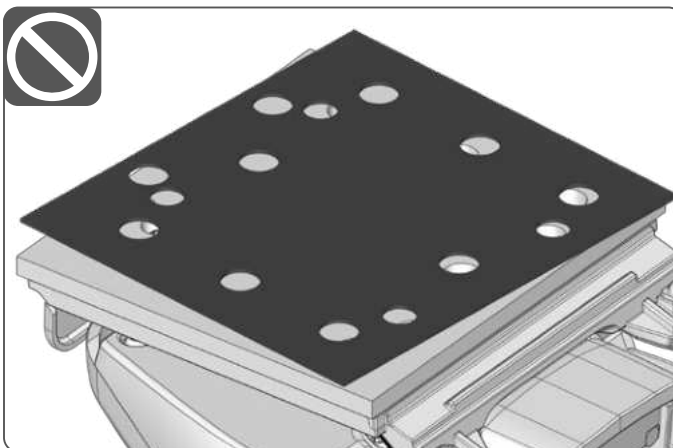
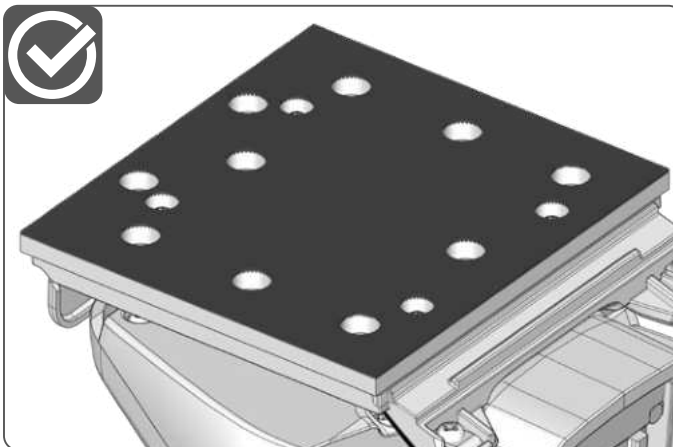
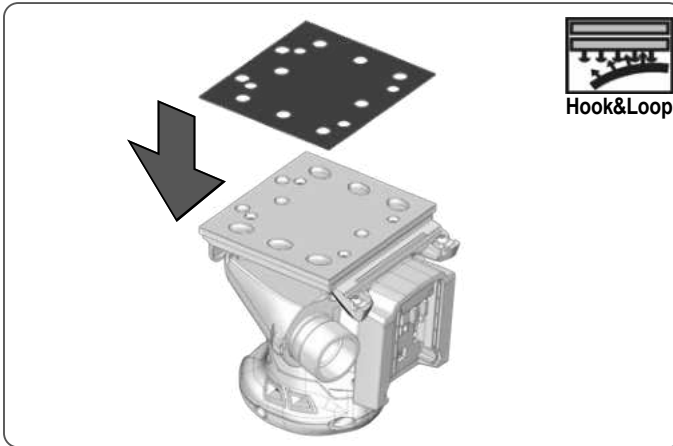
Прилепаващата страна на подложката за шлайфане се поставя внимателно върху шлифовъчния кръг и се притиска колкото е възможно по-силно.

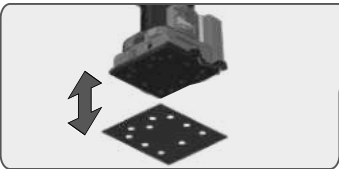
Așezați cu atenție partea aderentă a suportului de material abraziv pe discul polizorului și apăsați-l cât puteți de tare spre acesta.

Поставете ја страната за лепење од влошката на основата од површината за мазање и притиснете ја што е можно поцврсто.

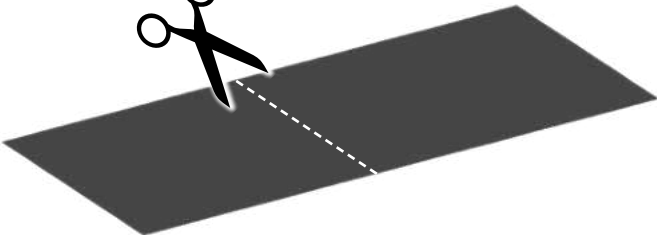
Обережно покласти диск сторону з липучкою на шлифовальний тарілчастий диск та притиснути якнайміцніше.

اصطفا بخلية على الجانب غير الواضح من اسطوانة الصنفرة في عكس قسيب التعبئة، يفضى قوة ممكنة.

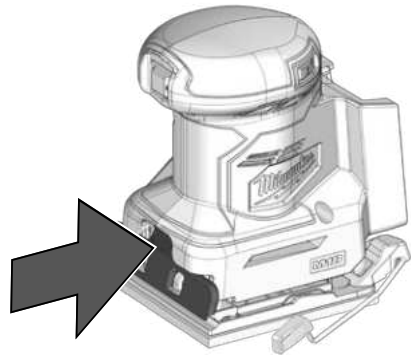




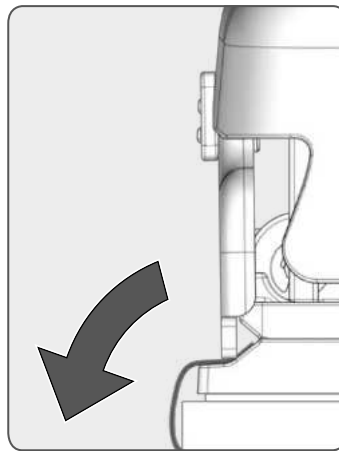
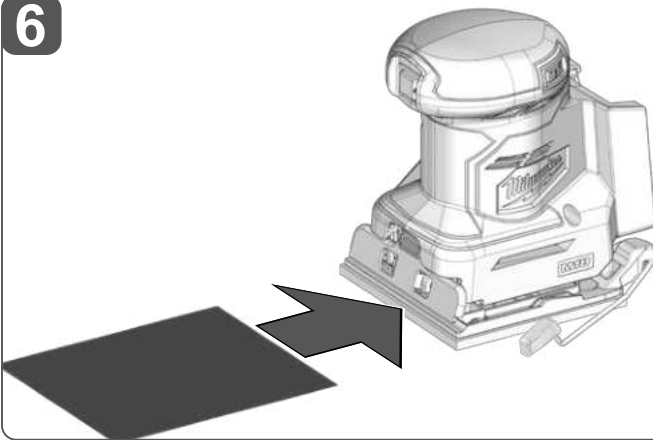
4



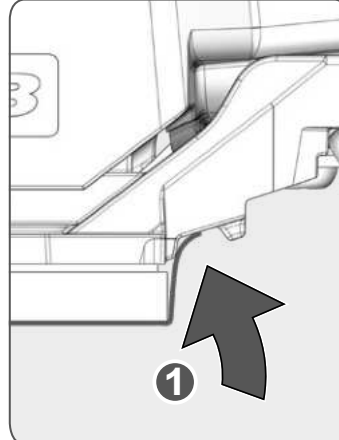
5



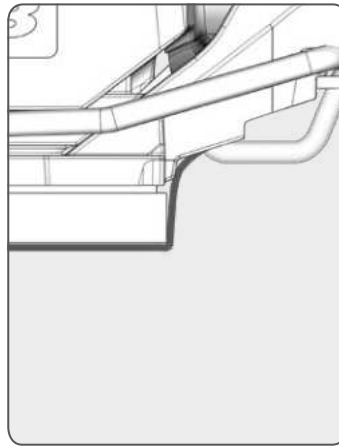
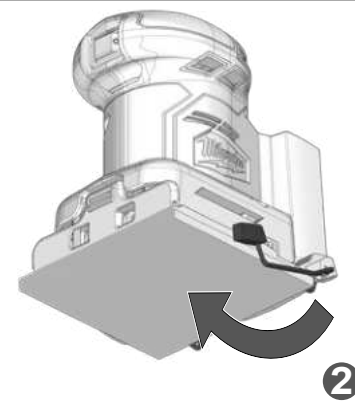
6



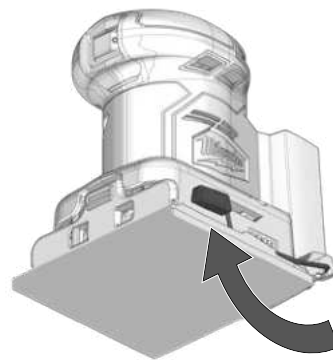
7

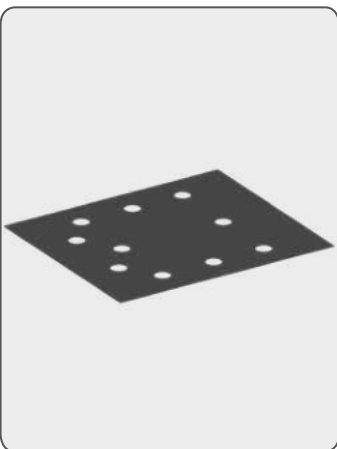


8



9

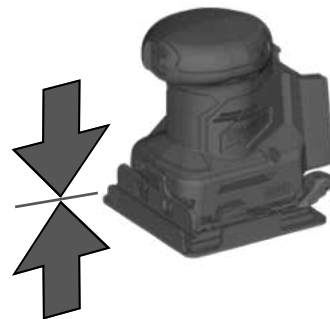




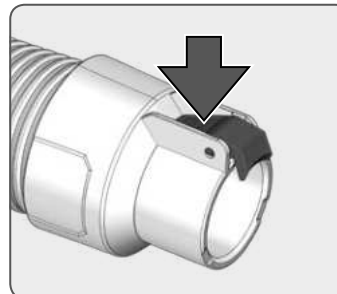
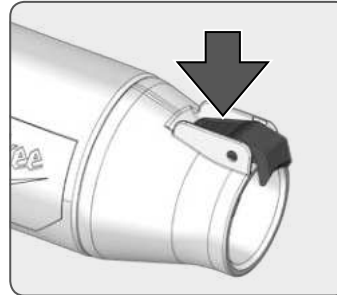
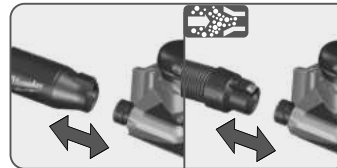
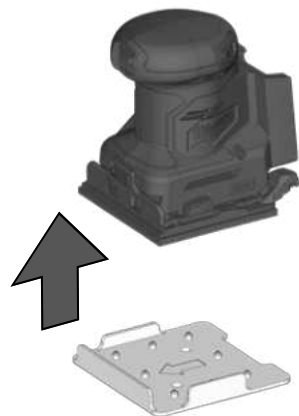
1



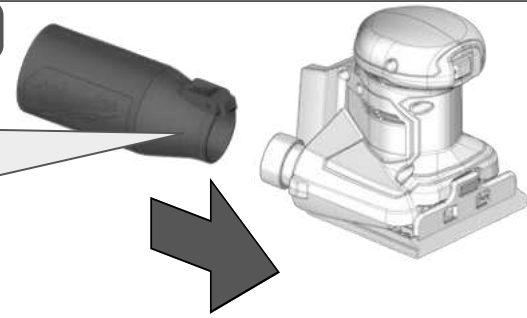
2



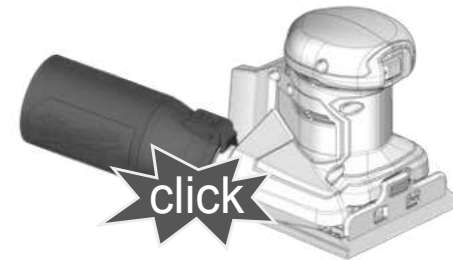
3



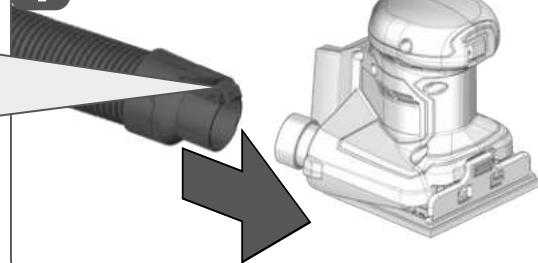
1



2

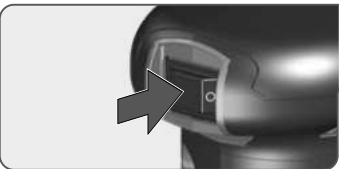


1

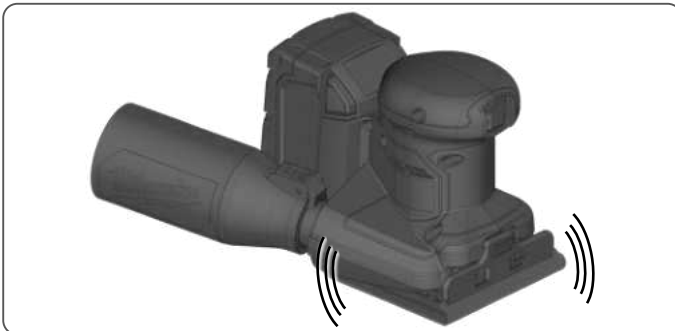
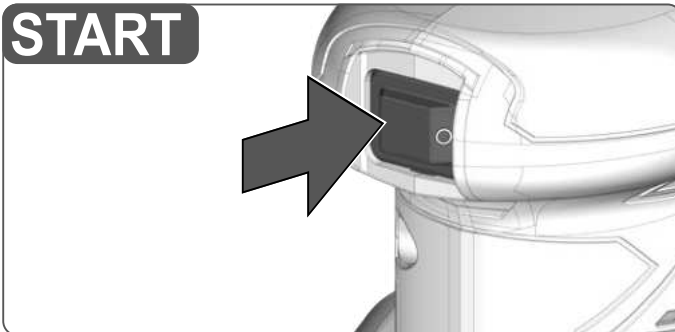


2

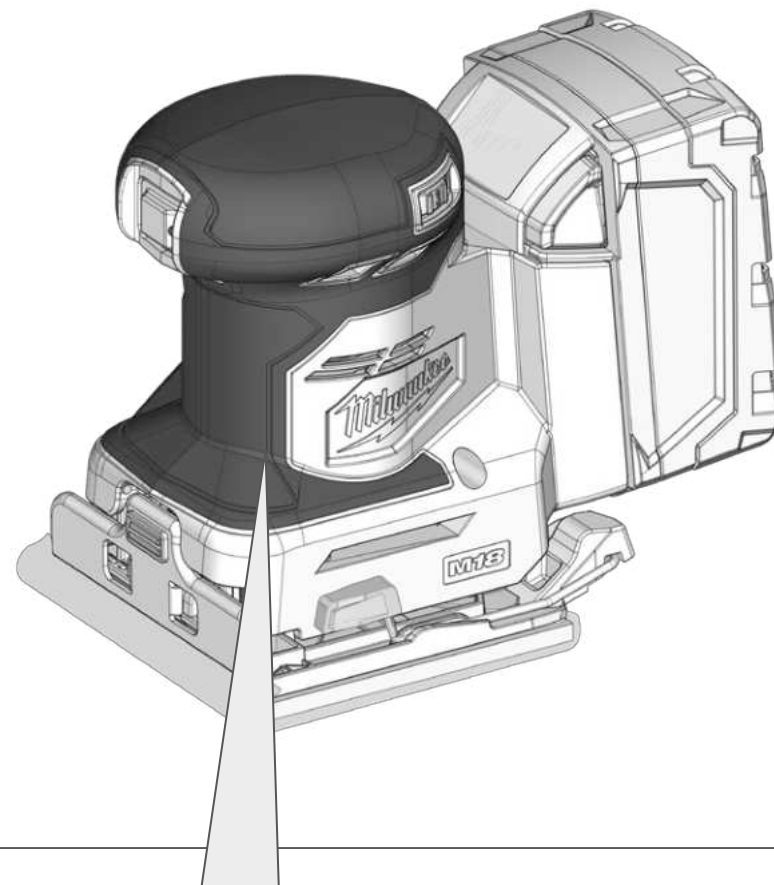
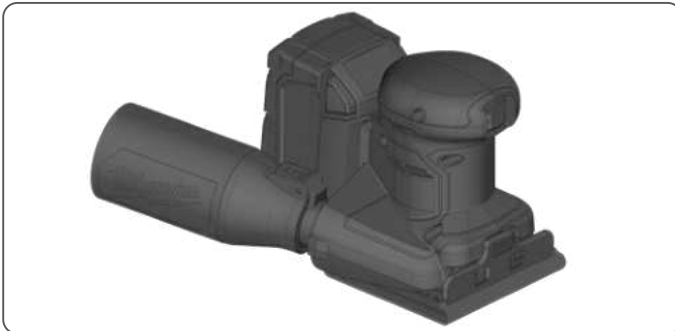
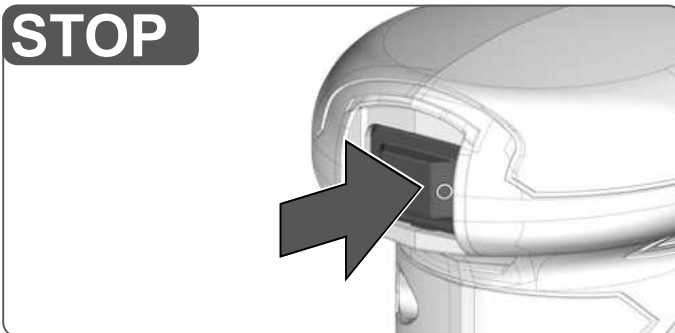




START



STOP



Insulated gripping surface

Isolierte Grifffläche

Surface de prise isolée

Superficie di presa isolata

Superficie de agarre con aislamiento

Superficie de pega isolada

Geïsoleerde handgrepen

Isolerede gribeflader

Isolert gripefläte

Isolerad greppyta

Eristetty tarttumapinta

Μονωμένη επιφάνεια λαβής

İzolasyonlu tutma yüzeyi

Izolovaná uchopovací plocha

Izolovaná úchopná plocha

Izolowana powierzchnia uchwytu

Szigetelt fogófelület

Izolirana prijemalna površina

Izolirana površina za držanje

Izolēta satveršanas virsma

Izoliuotas rankenos paviršius

Isoleeritud pideme piirkond

Изолированная поверхность ручки

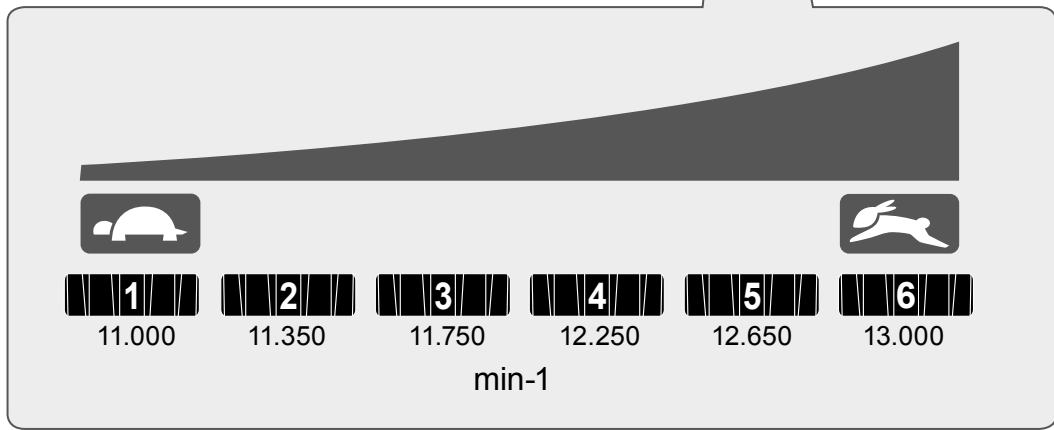
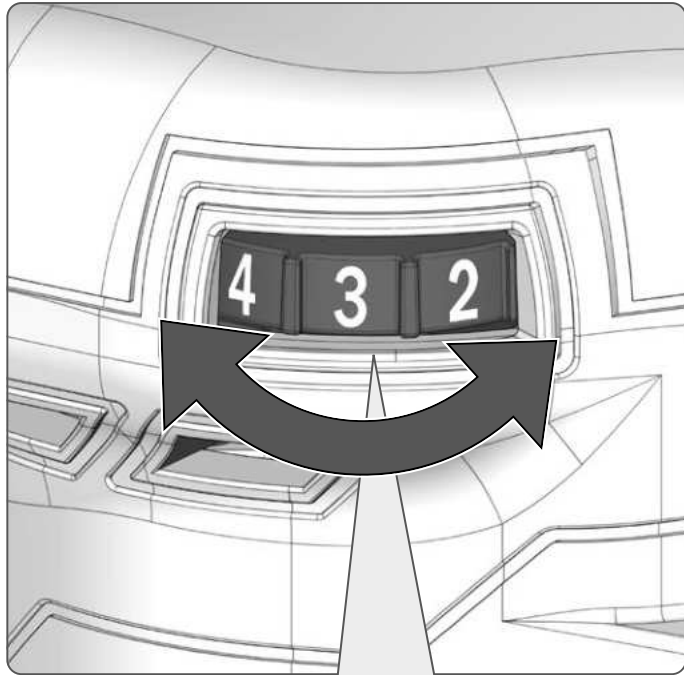
Изолирана повърхност за хващане

Suprafață de prindere izolată

Изолирана површина на дршката

Изолирована поверхность ручки

مساحة المقبض معزولة



TECHNICAL DATA

	M18 BQSS
Type	Oscillating sander
Production code	4914 11 01 XXXXXX MJJJJ
Battery voltage	18 V \approx
No-load speed	11.000 - 13.000 min ⁻¹
Orbital travel diameter	1,6 mm
Dimensions of grinding plate	113 x 104 mm
Weight according EPTA-Procedure 01/2014 (Li-Ion 2,0 Ah ... 12,0 Ah)	1,66 ... 2,72 kg
Recommended Ambient Operating Temperature	-18 ... +50 °C
Recommended battery types	M18B...; M18HB...
Recommended charger	M12-18...; M1418C6

Noise information: Measured values determined according to EN 62841.

Typically, the A-weighted noise levels of the tool are:

Sound pressure level / Uncertainty K 78,28 dB (A) / 3 db (A)

Sound power level / Uncertainty K 89,28 dB (A) / 3 db (A)

Wear ear protectors!

Vibration information: Vibration total values (triaxial vector sum) determined according to EN 62841

Vibration emission value a_v / Uncertainty K 5,23 m/s² / 1,50 m/s²

WARNING!

The vibration and noise emission level given in this information sheet has been measured in accordance with a standardized test given in EN 62841 and may be used to compare one tool with another. It may be used for a preliminary assessment of exposure.

The declared vibration and noise emission level represents the main applications of the tool. However if the tool is used for different applications, with different accessories or poorly maintained, the vibration and noise emission may differ. This may significantly increase the exposure level over the total working period.

An estimation of the level of exposure to vibration and noise should also take into account the times when the tool is switched off or when it is running but not actually doing the job. This may significantly reduce the exposure level over the total working period.

Identify additional safety measures to protect the operator from the effects of vibration and/or noise such as: maintain the tool and the accessories, keep the hands warm, organization of work patterns.

WARNING! Read all safety warnings, instructions, illustrations and specifications provided with this power tool. Failure to follow all instructions listed below may result in electric shock, fire and/or serious injury.

Save all warnings and instructions for future reference.

SAFETY INSTRUCTIONS FOR SANDERS

Collected sanding dust from sanding surface coatings such as polyurethanes, linseed oil, etc. can self-ignite in the sander dust bag or elsewhere and cause fire. To reduce the risk of fire always empty the dust bag frequently (10-15 minutes) while sanding and never store or leave a sander without totally emptying its dust bag. Also follow the recommendations of the coatings manufacturers.

ADDITIONAL SAFETY AND WORKING INSTRUCTIONS

Never reach into the danger area of the machine when it is running.

Chips and splinters must not be removed while the machine is running.

Use protective equipment. Always wear safety glasses when working with the machine.

The dust produced when using this tool may be harmful to health. Do not inhale the dust. Use a dust absorption system and wear a suitable dust protection mask. Remove deposited dust thoroughly, e.g. with a vacuum cleaner.

Do not machine any materials that present a danger to health (e.g. asbestos).

Immediately switch off the machine in case of considerable vibrations or if other malfunctions occur. Check the machine in order to find out the cause.

The workpiece must be fixed if it is not heavy enough to be steady.

Do not let any metal parts enter the airing slots - danger of short circuit!

WARNING! To reduce the risk of fire, personal injury, and product damage due to a short circuit, never immerse your tool, battery pack or charger in fluid or allow a fluid to flow inside them. Corrosive or conductive fluids, such as seawater, certain industrial chemicals, and bleach or bleach containing products, etc., Can cause a short circuit.

Only use original Milwaukee sanding and polishing tools with selfadhesive hook&loop fastening.

Never break open battery packs and chargers and store only in dry rooms. Keep dry at all times.

Use only System M18 chargers for charging System M18 battery packs.

SPECIFIED CONDITIONS OF USE

The sander can be used for sanding wood, plastic, metal, filler and painted surfaces.

Do not use the product in any way other than those stated for intended use.

RESIDUAL RISK

Even when the product is used as prescribed, it is still impossible to completely eliminate certain residual risk factors. The following hazards may arise in use and the operator should pay special attention to avoid the following:

- Injury caused by vibration. Hold the product by designated handles and restrict working time and exposure.
- Exposure to noise can cause hearing injury. Wear ear protection and limit exposure.
- Injury due to flying debris. Wear eye protection, heavy long trousers, gloves and substantial footwear at all times.
- Inhalation of toxic dusts.

NOTES FOR LI-ION BATTERIES**Use of Li-Ion batteries**

Battery packs which have not been used for some time should be recharged before use.

Temperatures in excess of 50°C (122°F) reduce the performance of the battery pack. Avoid extended exposure to heat or sunshine (risk of overheating).

The contacts of chargers and battery packs must be kept clean.

For an optimum life-time, the battery packs have to be fully charged, after use.

To obtain the longest possible battery life remove the battery pack from the charger once it is fully charged.

For battery pack storage longer than 30 days:

Store the battery pack where the temperature is below 27°C and away from moisture

Store the battery packs in a 30% - 50% charged condition

Every six months of storage, charge the pack as normal.

Battery protection for Li-Ion batteries

In extremely high torque, binding, stalling and short circuit situations that cause high current draw, the tool will vibrate for about 5 seconds, the fuel gauge will flash, and then the tool will turn OFF.

To reset, release the trigger. Under extreme circumstances, the internal temperature of the battery pack could raise too much. If this happens, the fuel gauge will flash until the battery pack cooled down. After the lights go off, the work may continue.

Transporting Lithium Batteries

Lithium-ion batteries are subject to the Dangerous Goods Legislation requirements.

Transportation of those batteries has to be done in accordance with local, national and international provisions and regulations.

The user can transport the batteries by road without further requirements.

Commercial transport of Lithium-Ion batteries by third parties is subject to Dangerous Goods regulations. Transport preparation and transport are exclusively to be carried out by appropriately trained persons and the process has to be accompanied by corresponding experts.

When transporting batteries:

Ensure that battery contact terminals are protected and insulated to prevent short circuit.

Ensure that battery pack is secured against movement within packaging. Do not transport batteries that are cracked or leak. Check with forwarding company for further advice.

WORKING INSTRUCTIONS**General Sanding with Random Orbit Sanders**

When using random orbit sanders there are a few things to keep in mind:

- Unlike most sanders, random orbit sanders should be placed on the workpiece BEFORE the tool is started. If the sander is started before it is placed on the workpiece, the free floating pad may be spinning at a speed that can cause scratches when it is finally placed on workpiece.
- Unlike most sanders, random orbit sanders can be moved across the workpiece in any direction (in the case of wood, regardless of the direction of the grain).
- Varying pressure applied to the sander will affect its rotating speed. A light pressure is recommended for fine work, moderate pressure for rough work. Excessive pressure does not allow the pad to rotate enough.
- Keep sanding pad flat on the workpiece. Tipping the sander or using the edges of the pad may produce an uneven finish, and reduce pad life.
- Keep sander moving in broad even strokes across the workpiece. Sanding in one spot too long can cause gouging and uneven results.

• Check the workpiece frequently, random orbit sanders work more aggressively than simple orbital sanders.

1. Place sander on the workpiece and turn on the sander.
2. Keep the sanding sheet flat against the workpiece, keep the sander moving across the workpiece, and use long, sweeping strokes.
3. Begin sanding with a coarse grit sandpaper and gradually use finer and finer grits of sandpaper until the desired finish is reached. For example when using the sander on wood, begin with an 80 grit followed by a 120 grit, then a 180 grit and so on.

Removing Paint or Varnish

1. When removing several layers of paint or varnish, remove as much as possible with a paint solvent or varnish remover.
2. Scrape away the residue with a putty knife or other scraping tool and allow the surface to cool and dry before applying sander to the workpiece.
3. Select a coarse grit sandpaper sheet to help prevent the sandpaper from clogging.
4. Keep the sander moving over new areas to avoid heating and softening the old coating (paint or varnish).
5. Work in wide, overlapping strokes to produce a uniform finish.
6. As the workpiece begins to show through the old coating, switch to a medium grit sandpaper sheet to avoid scratching the surface of the workpiece. Gradually switch to a fine grit sandpaper until you achieve the desired finish.

CLEANING














The ventilation slots of the machine must be kept clear at all times.

MAINTENANCE

Use only Milwaukee accessories and Milwaukee spare parts. Should components need to be replaced which have not been described, please contact one of our Milwaukee service agents (see our list of guarantee/service addresses).

If needed, an exploded view of the tool can be ordered. Please state the Article No. as well as the machine type printed on the label and order the drawing at your local service agents or directly at: Techtronic Industries GmbH, Max-Eyth-Straße 10, 71364 Winnenden, Germany.

SYMBOLS

	Please read the instructions carefully before starting the machine.
	CAUTION! WARNING! DANGER!
	Remove the battery pack before starting any work on the appliance.
	Do not use force.
	Always wear goggles when using the machine.
	Wear a suitable dust protection mask.
	Accessory - Not included in standard equipment, available as an accessory.
	Do not dispose of waste batteries, waste electrical and electronic equipment as unsorted municipal waste. Waste batteries and waste electrical and electronic equipment must be collected separately. Waste batteries, waste accumulators and light sources have to be removed from equipment. Check with your local authority or retailer for recycling advice and collection point. According to local regulations retailers may have an obligation to take back waste batteries and Waste electrical and electronic equipment free of charge. Your contribution to re-use and recycling of waste batteries and waste electrical and electronic equipment helps to reduce the demand of raw materials. Waste batteries, in particular containing lithium and waste Electrical and electronic equipment contain valuable, recyclable materials, which can adversely impact the environment and the human health, if not disposed of in an environmentally compatible manner. Delete personal data from waste equipment, if any.
n_0	No-load speed
V	Voltage
	Direct Current
	European Conformity Mark
	British Conformity Mark
	Ukraine Conformity Mark
	EurAsian Conformity Mark

TECHNISCHE DATEN **M18 BQSS**

Bauart	Schwingschleifer
Produktionsnummer	4914 11 01 XXXXXX MJJJJ
Spannung Wechselakku	18 V =
Leerlaufdrehzahl	11.000 - 13.000 min ⁻¹
Schwingkreis- ϕ	1,6 mm
Abmessung Schleifplatte	113 x 104 mm
Gewicht nach EPTA-Prozedur 01/2014 (Li-Ion 2,0 Ah ... 12,0 Ah)	1,66 ... 2,72 kg
Empfohlene Umgebungstemperatur für den Betrieb	-18 ... +50 °C
Empfohlene Akku Typen	M18B...; M18HB...
Empfohlene Ladegeräte	M12-18...; M1418C6
Geräuschinformation: Messwerte ermittelt entsprechend EN 62841. Der A-bewertete Geräuschpegel des Gerätes beträgt typischerweise:	
Schalldruckpegel / Unsicherheit K	78,28 dB (A) / 3 db (A)
Schallleistungspegel / Unsicherheit K	89,28 dB (A) / 3 db (A)
Gehörschutz tragen!	
Vibrationsinformationen: Schwingungsgesamtwerte (Vektorsumme dreier Richtungen) ermittelt entsprechend EN 62841.	
Schwingungsemissionswert a_v / Unsicherheit K	5,23 m/s ² / 1,50 m/s ²

⚠️ WARNUNG!

Die angegebenen Schwingungsgesamtwerte und Geräuschemissionswerte wurden nach einem genormten Messverfahren gemäß EN 62841 gemessen und können für den Vergleich von Elektrowerkzeugen miteinander verwendet werden. Sie können für eine vorläufige Einschätzung der Belastung verwendet werden.

Der angegebene Schwingungs- und Geräuschemissionspegel repräsentiert die hauptsächlichlichen Anwendungen des Elektrowerkzeugs. Wenn allerdings das Elektrowerkzeug für andere Anwendungen, mit abweichenden Einsatzwerkzeugen oder ungenügender Wartung eingesetzt wird, können sich die Schwingungs- und Geräuschemissionen unterscheiden. Dies kann deren Wirkung über den gesamten Arbeitszeitraum deutlich erhöhen.

Bei der Abschätzung der Belastung durch Schwingungen und Lärm sollten auch die Zeiten berücksichtigt werden, in denen das Elektrowerkzeug ausgeschaltet ist oder zwar läuft, aber keine tatsächliche Arbeit verrichtet wird. Dies kann deren Wirkung über den gesamten Arbeitszeitraum deutlich reduzieren.

Legen Sie zusätzliche Sicherheitsmaßnahmen zum Schutz des Bedieners vor den Auswirkungen von Schwingungen- und / oder Lärm fest, wie z. B.: Wartung des Werkzeugs und des Zubehörs, Warmhalten der Hände, Organisation der Arbeitsabläufe.

⚠️ WARNUNG! Lesen Sie alle Sicherheitshinweise, Anweisungen, Bebilderungen und technischen Daten, mit denen dieses Elektrowerkzeug versehen ist. Versäumnisse bei der Einhaltung der nachfolgenden Anweisungen können elektrischen Schlag, Brand und/oder schwere Verletzungen verursachen.

Bewahren Sie alle Sicherheitshinweise und Anweisungen für die Zukunft auf.

SICHERHEITSHINWEISE FÜR SCHLEIFER

Ansammlungen von Schleifstaub durch das Abschleifen von Oberflächenbeschichtungen wie Polyurethan, Leinöl usw. können sich im Staubbeutel des Schleifers oder an anderen Orten von selbst entzünden und einen Brand verursachen. Um Brandrisiken zu reduzieren, leeren Sie den Staubbeutel während des Schleifvorgangs häufig aus (alle 10 bis 15 Minuten) und stellen Sie einen Schleifer niemals ab, ohne vorher seinen Staubbeutel vollständig geleert zu haben. Befolgen Sie außerdem die Empfehlungen der Beschichtungshersteller.

WEITERE SICHERHEITS- UND ARBEITSHINWEISE

Nicht in den Gefahrenbereich der laufenden Maschine greifen.

Späne oder Splitter dürfen bei laufender Maschine nicht entfernt werden.

Schutzrüstung verwenden. Beim Arbeiten mit der Maschine stets Schutzbrille tragen.

Beim Arbeiten entstehender Staub ist oft gesundheitsschädlich und sollte nicht in den Körper gelangen. Staubabsaugung verwenden und zusätzlich geeignete Staubschutzmaske tragen. Abgelagerten Staub gründlich entfernen, z.B. aufsaugen.

Es dürfen keine Materialien bearbeitet werden, von denen eine Gesundheitsgefährdung ausgeht (z.B. Asbest).

Gerät sofort ausschalten, wenn beträchtliche Schwingungen auftreten oder andere Mängel festgestellt werden. Überprüfen Sie die Maschine, um die Ursache festzustellen.

Das zu bearbeitende Werkstück muss festgespannt werden, sofern es nicht durch sein Eigengewicht hält.

Wegen Kurzschlussgefahr dürfen Metallteile nicht in die Lüftungsschlitze gelangen.

WARNUNG! Um die durch einen Kurzschluss verursachte Gefahr eines Brandes, von Verletzungen oder Produktbeschädigungen zu vermeiden, tauchen Sie das Werkzeug, den Wechselakku oder das Ladegerät nicht in Flüssigkeiten ein und sorgen Sie dafür, dass keine Flüssigkeiten in die Geräte und Akkus eindringen. Korrodierende oder leitfähige Flüssigkeiten, wie Salzwasser, bestimmte Chemikalien und Bleichmittel oder Produkte, die Bleichmittel enthalten, können einen Kurzschluss verursachen.

Nur Original Milwaukee-Schleif- und Polierwerkzeuge mit selbsthaftenden Klettverschluss verwenden.

Wechselakkus und Ladegeräte nicht öffnen und nur in trockenen Räumen lagern. Vor Nässe schützen.

Wechselakkus des Systems M18 nur mit Ladegeräten des Systems M18 laden.

BESTIMMUNGSGEMÄSSE VERWENDUNG

Der Schleifer kann für das Schleifen von Holz, Kunststoff, Metall, Füllstoffen und lackierten Oberflächen verwendet werden.

Verwenden Sie das Produkt nur für den bestimmungsgemäßen Gebrauch.

RESTRIKTIKEN

Auch bei ordnungsgemäßer Verwendung können nicht alle Restriktionen ausgeschlossen werden. Beim Gebrauch können folgende Gefahren entstehen, auf die der Bediener besonders achten sollte:

- Durch Vibration verursachte Verletzungen. Halten Sie das Gerät an den dafür vorgesehenen Griffen und begrenzen Sie die Arbeits- und Expositionszeit.
- Lärmbelastung kann zu Gehörschädigungen führen. Tragen Sie einen Gehörschutz und schränken Sie die Expositionszeit ein.
- Durch Schmutzpartikel verursachte Augenverletzungen. Tragen Sie immer eine Schutzbrille, feste lange Hosen, Handschuhe und festes Schuhwerk.
- Einatmen von giftigen Stäuben.

HINWEISE FÜR LI-ION-AKKUS

Gebrauch von Li-Ion-Akkus

Längere Zeit nicht benutzte Wechselakkus vor Gebrauch nachladen.

Eine Temperatur über 50°C vermindert die Leistung des Wechselakkus. Längere Erwärmung durch Sonne oder Heizung vermeiden.

Die Anschlusskontakte an Ladegerät und Wechselakku sauber halten.

Für eine optimale Lebensdauer müssen nach dem Gebrauch die Akkus voll geladen werden.

Für eine möglichst lange Lebensdauer sollten die Akkus nach dem Aufladen aus dem Ladegerät entfernt werden.

Bei Lagerung des Akkus länger als 30 Tage:

Akku bei ca. 27°C und trocken lagern.

Akku bei ca. 30%-50% des Ladezustandes lagern.

Akku alle 6 Monate erneut aufladen.

Akkuüberlastschutz bei Li-Ion-Akkus

Bei Überlastung des Akkus durch sehr hohen Stromverbrauch, z.B. extrem hohe Drehmomente, plötzlichem Stopp oder Kurzschluss, vibriert das Elektrowerkzeug 5 Sekunden lang, die Ladeanzeige blinkt und das Elektrowerkzeug schaltet sich selbsttätig ab.

Zum Wiedereinschalten, den Schalterdrücker loslassen und dann wieder einschalten. Unter extremen Belastungen erhitzt sich der Akku zu stark. In diesem Fall blinken alle Lampen der Ladeanzeige bis der Akku abgekühlt ist. Nach Erlöschen der Ladeanzeige kann weitergearbeitet werden.

Transport von Lithium-Ionen-Akkus

Lithium-Ionen-Akkus fallen unter die gesetzlichen Bestimmungen zum Gefahrguttransport.

Der Transport dieser Akkus muss unter Einhaltung der lokalen, nationalen und internationalen Vorschriften und Bestimmungen erfolgen.

Verbraucher dürfen diese Akkus ohne Weiteres auf der Straße transportieren.

Der kommerzielle Transport von Lithium-Ionen-Akkus durch Speditionsunternehmen unterliegt den Bestimmungen des Gefahrguttransports. Die Versandvorbereitungen und der Transport dürfen ausschließlich von entsprechend geschulten Personen durchgeführt werden. Der gesamte Prozess muss fachmännisch begleitet werden.

Folgende Punkte sind beim Transport von Akkus zu beachten:

Stellen Sie sicher, dass die Kontakte geschützt und isoliert sind, um Kurzschlüsse zu vermeiden.

Achten Sie darauf, dass der Akkupack innerhalb der Verpackung nicht verrutschen kann. Beschädigte oder auslaufende Akkus dürfen nicht transportiert werden. Wenden Sie sich für weitere Hinweise an Ihr Speditionsunternehmen.

ARBEITSHINWEISE

Allgemeines Schleifen mit Exzenterschleifern

Bei der Verwendung von Exzenterschleifern sind einige Dinge zu beachten:

- Im Gegensatz zu den meisten anderen Schleifern sollten Exzenterschleifer auf dem Werkstück platziert werden. BEVOR das Werkzeug eingeschaltet wird. Wenn der Schleifer eingeschaltet wird, bevor er auf dem Werkstück platziert wird, kann es sein, dass sich der Schleifbelag mit einer Drehzahl dreht, die Kratzer verursacht, wenn er schließlich auf dem Werkstück platziert wird.
 - Im Gegensatz zu den meisten Schleifern können Exzenterschleifer in jeder Richtung über das Werkstück bewegt werden (im Falle von Holz ungeachtet der Maserung).
 - Wenn wechselnder Druck auf den Schleifer ausgeübt wird, wirkt sich dies auf seine Drehzahl aus. Für feine Arbeiten wird ein leichter Druck empfohlen, für grobe Arbeiten ein mittlerer Druck. Bei zu hohem Druck kann sich der Teller nicht ausreichend drehen.
 - Halten Sie den Schleifbelag flach auf das Werkstück. Wenn der Schleifer gekippt wird oder die Ränder der Schleifscheibe benutzt werden, kann dies zu ungleichmäßigen Oberflächen und einer Verringerung der Lebensdauer des Schleifbelags führen.
 - Bewegen Sie den Schleifer in gleichmäßigen Zügen über das Werkstück. Wenn zu lange an einer Stelle geschliffen wird, kann dies zu Furchen und ungleichmäßigen Ergebnissen führen.
 - Überprüfen Sie das Werkstück regelmäßig, Exzenterschleifer arbeiten aggressiver als Schwingschleifer.
1. Platzieren Sie den Schleifer auf dem Werkstück und schalten Sie den Schleifer ein.
 2. Halten Sie das Schleifblatt flach gegen das Werkstück und bewegen Sie den Schleifer mit langen, weiten Bewegungen über das Werkstück.
 3. Beginnen Sie mit einem Schleifpapier mit grober Körnung und verwenden Sie es nach und nach feinere Körnungen, bis die gewünschte Oberfläche erreicht ist. Wenn Sie zum Beispiel den Schleifer auf Holz verwenden, beginnen Sie mit einer Körnung von 80, gefolgt von 120, 180 und so weiter.

Entfernen von Farbe oder Lack

1. Wenn mehrere Schichten an Farbe oder Lack entfernt werden sollen, entfernen Sie so viel wie möglich mit einem Lösungsmittel oder Lackentferner.
2. Kratzen Sie den Rest mit einem Spachtel oder einem anderen Werkzeug ab und lassen Sie die Oberfläche abkühlen und trocknen, bevor Sie das Werkstück mit dem Schleifer bearbeiten.
3. Wählen Sie Schleifpapier mit einer groben Körnung, um zu verhindern, dass das Sandpapier verstopft.
4. Bewegen Sie den Schleifer immer wieder über neue Bereiche, um zu verhindern, dass sich die alte Beschichtung (Farbe oder Lack) erhitzt und weich wird.
5. Arbeiten Sie mit weiten, überlappenden Bewegungen, um eine gleichmäßige Oberfläche zu erzeugen.
6. Wenn allmählich das Werkstück unter der alten Beschichtung zum Vorschein kommt, wechseln Sie zu Sandpapier mit einer mittleren Körnung, um zu verhindern, dass die Oberfläche des Werkstücks verkratzt. Wechseln Sie nach und nach zu Sandpapier mit einer feinen Körnung, bis Sie die gewünschte Oberfläche erzielen.

REINIGUNG

Stets die Lüftungsschlitze der Maschine sauber halten.




WARTUNG

Nur Milwaukee Zubehör und Milwaukee Ersatzteile verwenden. Bauteile, deren Austausch nicht beschrieben wurde, bei einer Milwaukee Kundendienststelle auswechseln lassen (Broschüre Garantie/Kundendienstadressen beachten).

Bei Bedarf kann eine Explosionszeichnung des Gerätes unter Angabe der Maschinen Type und der sechsstelligen Nummer auf dem Leistungsschild bei Ihrer Kundendienststelle oder direkt bei Techtronic Industries GmbH, Max-Eyth-Straße 10, 71364 Winnenden, Germany angefordert werden.

SYMBOLS

	Bitte lesen Sie die Gebrauchsanweisung vor Inbetriebnahme sorgfältig durch.
	ACHTUNG! WARNUNG! GEFAHR!
	Vor allen Arbeiten am Gerät den Wechselakku herausnehmen.
	Keine Kraft anwenden.
	Beim Arbeiten mit der Maschine stets Schutzbrille tragen.
	Geeignete Staubschutzmaske tragen.
	Zubehör - Im Lieferumfang nicht enthalten, empfohlene Ergänzung aus dem Zubehörprogramm.
	Altbatterien, Elektro- und Elektronik-Altgeräte dürfen nicht zusammen mit dem Hausmüll entsorgt werden. Altbatterien, Elektro- und Elektronik-Altgeräte sind getrennt zu sammeln und zu entsorgen. Entfernen Sie Altbatterien, Altakkumulatoren und Leuchtmittel vor dem Entsorgen aus den Geräten. Erkundigen Sie sich bei den örtlichen Behörden oder bei Ihrem Fachhändler nach Recyclinghöfen und Sammelstellen. Je nach den örtlichen Bestimmungen können Einzelhändler verpflichtet sein, Altbatterien, Elektro- und Elektronik-Altgeräte kostenlos zurückzunehmen. Tragen Sie durch Wiederverwendung und Recycling Ihrer Altbatterien, Elektro- und Elektronik-Altgeräte dazu bei, den Bedarf an Rohmaterialien zu verringern. Altbatterien (vor allem Lithium-Ionen-Batterien), Elektro- und Elektronik-Altgeräte enthalten wertvolle, wiederverwertbare Materialien, die bei nicht umweltgerechter Entsorgung negative Auswirkungen auf die Umwelt und Ihre Gesundheit haben können. Löschen Sie vor der Entsorgung möglicherweise auf Ihrem Altgerät vorhandene personenbezogene Daten.
n_0	Leerlaufdrehzahl
V	Spannung
	Gleichstrom
	Europäisches Konformitätszeichen

	Britisches Konformitätszeichen
	Ukrainisches Konformitätszeichen
	Euroasiatisches Konformitätszeichen

CARACTÉRISTIQUES TECHNIQUES

M18 BQSS	
Type	Ponceuse orbitale
Numéro de série	4914 11 01 XXXXXX MJJJJ
Tension accu interchangeable	18 V \approx
Vitesse de rotation à vide	11.000 - 13.000 min ⁻¹
Diamètre d'oscillation	1,6 mm
Dimension semelle de ponçage	113 x 104 mm
Poids suivant EPTA-Procédure 01/2014 (Li-Ion 2,0 Ah ... 12,0 Ah)	1,66 ... 2,72 kg
Température ambiante conseillée pour le fonctionnement	-18 ... +50 °C
Batteries conseillées	M18B...; M18HB...
Chargeurs conseillés	M12-18...; M1418C6

Informations sur le bruit: Valeurs de mesure obtenues conformément à la EN 62841.

Les mesures réelles (des niveaux acoustiques de l'appareil sont :

Niveau de pression acoustique / Incertitude K 78,28 dB (A) / 3 db (A)

Niveau d'intensité acoustique / Incertitude K 89,28 dB (A) / 3 db (A)

Toujours porter une protection acoustique!

Informations sur les vibrations: Valeurs totales des vibrations (somme vectorielle de trois sens) établies conformément à EN 62841.

Valeur d'émission vibratoire a_h / Incertitude K 5,23 m/s² / 1,50 m/s²

AVERTISSEMENT!

Le niveau de vibration et d'émissions sonores indiqué dans cette fiche de données a été mesuré en respect d'une méthode standard de test selon la norme EN 62841 et peut être utilisé pour comparer les outils entre eux. Il peut être utilisé pour évaluation préliminaire de l'exposition.

Le niveau de vibration et d'émissions sonores déclaré correspond à l'application principale de l'outil. Cependant, si l'outil est utilisé pour des applications différentes, avec différents accessoires ou est mal entretenu, les vibrations et les émissions sonores peuvent différer. Cela peut augmenter considérablement le niveau d'exposition au cours de la période de travail totale.

Une estimation du niveau d'exposition aux vibrations et au bruit devrait également tenir compte des temps d'arrêt de l'outil ou des périodes où il est en marche mais n'effectue pas réellement le travail. Cela peut réduire considérablement le niveau d'exposition au cours de la période de travail totale.

Identifier des mesures de sécurité supplémentaires pour protéger l'opérateur des effets des vibrations et/ou du bruit tels que : l'entretien de l'outil et des accessoires, le maintien au chaud des mains, l'organisation des processus de travail.

AVERTISSEMENT! Lisez toutes les consignes de sécurité, instructions, présentations et données que vous recevez avec l'appareil. Le fait de ne pas suivre toutes les instructions données ci-dessous peut provoquer un choc électrique, un incendie et/ou une blessure grave.

Bien garder tous les avertissements et instructions.**CONSIGNES DE SÉCURITÉ POUR LES PONCEUSES**

La poussière de ponçage recueillie lors du ponçage de revêtements de surface tels que les polyuréthanes, l'huile de lin, etc. peut s'enflammer dans le sac à poussière de la ponceuse ou ailleurs et provoquer un incendie. Pour réduire le risque d'incendie, videz toujours le sac à poussière fréquemment (10-15 minutes) pendant le ponçage et ne rangez ou ne laissez jamais une ponceuse sans vider complètement son sac à poussière. Suivez également les recommandations des fabricants de revêtements.

AVIS COMPLÉMENTAIRES DE SÉCURITÉ ET DE TRAVAIL

Ne jamais intervenir dans la zone dangereuse lorsque la machine est en marche.

Ne jamais enlever les copeaux ni les éclats lorsque la machine est en marche.

Utiliser l'équipement de protection. Toujours porter des lunettes de protection pendant le travail avec la machine.

Les poussières dégagées lors du travail sont souvent nocives et ne devraient pas pénétrer dans le corps. Utiliser un dispositif d'aspiration de poussières et porter en plus un masque de protection approprié. Éliminer soigneusement les dépôts de poussières, p. ex. en les aspirant au moyen d'un système d'aspiration de copeaux.

Il est interdit de travailler des matériaux dangereux pour la santé (par ex. amiante).

Arrêter la machine tout de suite lorsqu'il y a des vibrations importantes ou que d'autres défauts surgissent. Contrôler la machine afin d'en trouver les causes.

La pièce à travailler doit être fortement serrée lorsque son propre poids ne suffit pas à la maintenir.

En raison de risques de court-circuit, veiller à ce qu'aucune pièce métallique ne pénètre dans les ouïes de ventilation.

AVERTISSEMENT! Pour réduire le risque d'incendie, de blessures corporelles et de dommages cau-sés par un court-circuit, ne jamais immerger l'outil, le bloc-piles ou le chargeur dans un liquide ou laisser couler un fluide à l'intérieur de celui-ci. Les fluides corrosifs ou conducteurs, tels que l'eau de mer, certains produits chimiques industriels, les produits de blanchiment ou de blanchi-ment, etc., peuvent provoquer un court-circuit.

N'utiliser que des outils de ponçage et de polissage (à pose auto-accrochante) d'origine Milwaukee.

Ne pas ouvrir les accus interchangeables et les chargeurs et ne les stocker que dans des locaux secs. Les protéger contre l'humidité.

Ne charger les accus interchangeables du système M18 qu'avec le chargeur d'accus du système M18.

UTILISATION CONFORME AUX PRESCRIPTIONS

La ponceuse peut être utilisée pour le ponçage du bois, du plastique, du métal, du mastic et des surfaces peintes.

Ne pas utiliser le produit d'une autre manière que celle indiquée pour l'usage auquel il est destiné.

RISQUES RÉSIDUELS

Même en cas d'utilisation correcte, il n'est pas possible d'exclure tous les risques résiduels. Lors de l'utilisation, les risques suivants pourront être présents et l'utilisateur devra prêter une attention particulière en vue de les éviter :

- Blessures causées par les vibrations. Tenir le dispositif à l'aide de ses poignées et limiter les temps de travail et d'exposition.
- L'exposition au bruit peut causer des dommages auditifs. Porter une protection auditive et limiter la durée de l'exposition.
- Lésions oculaires causées par des particules de déchets. Toujours porter des lunettes de sécurité, de pantalon long lourd, des gants et des chaussures robustes.
- Inhalation de gaz toxiques.

REMARQUE CONCERNANT LES ACCUS LI-ION**Utilisation d'accus Li-Ion**

Recharger les accus avant utilisation après une longue période de non utilisation.

Une température supérieure à 50°C amoindrit la capacité des accus. Éviter les expositions prolongées au soleil ou au chauffage. Tenir propres les contacts des accus et des chargeurs.

Pour une durée de vie optimale, les accus doivent être chargés à fond après l'utilisation.

Pour une plus longue durée de vie, enlever les batteries du chargeur de batterie quand celles-ci seront chargées.

En cas d'entreposage de la batterie pour plus de 30 jours: Entreposer la batterie à 27°C environ dans un endroit sec.

Entreposer la batterie avec une charge d'environ 30% - 50%. Recharger la batterie tous les 6 mois.

Protection des accus Li-Ion

En cas d'une surcharge de l'accu à cause d'une très haute consommation de courant, par exemple suite à des couples extrêmement élevés, un arrêt soudain ou un court-circuit, l'outil électrique vibre pendant 5 secondes, l'indicateur de charge clignote et l'outil électrique se déconnecte automatiquement.

Pour le ré-enclencher, relâcher le poussoir de l'interrupteur, puis enclencher à nouveau l'appareil. Sous des sollicitations extrêmes, l'accu s'échauffe trop fortement. Dans ce cas, tous les témoins de l'indicateur de charge clignotent jusqu'à ce que l'accu se soit refroidi. Il est possible de continuer à travailler dès que l'indicateur de charge s'est éteint.

Transport de batteries lithium-ion

Les batteries lithium-ion sont soumises aux dispositions législatives concernant le transport de produits dangereux.

Le transport de ces batteries devra s'effectuer dans le respect des dispositions et des normes locales, nationales et internationales.

Les utilisateurs peuvent transporter ces batteries sans restrictions.

Le transport commercial de batteries lithium-ion est réglé par les dispositions concernant le transport de produits dangereux. La préparation au transport et le transport devront être effectués uniquement par du personnel formé de façon adéquate. Tout le procédé devra être géré d'une manière professionnelle.

Durant le transport de batteries il faut respecter les consignes suivantes :

S'assurer que les contacts soient protégés et isolés en vue d'éviter des courts-circuits.

S'assurer que le groupe de batteries ne puisse pas se déplacer à l'intérieur de son emballage. Des batteries endommagées ou des batteries perdant du liquide ne devront pas être transportées. Pour tout renseignement complémentaire veuillez vous adresser à votre transporteur professionnel.

CONSIGNES DE TRAVAIL**Ponçage général avec des ponceuses à orbite aléatoire**

Lors de l'utilisation de ponceuses à orbite aléatoire, il y a quelques points à garder à l'esprit :

- Contrairement à la plupart des ponceuses, les ponceuses à orbite aléatoire doivent être placées sur la pièce de travail AVANT de mettre l'outil en marche. Si la ponceuse est mise en marche avant d'être placée sur la pièce, le tampon flottant peut tourner à une vitesse qui peut provoquer des rayures lorsqu'il est finalement placé sur la pièce.
- Contrairement à la plupart des ponceuses, les ponceuses à orbite aléatoire peuvent être déplacées sur la pièce dans n'importe quelle direction (dans le cas du bois, indépendamment du sens du grain).
- La variation de la pression appliquée sur la ponceuse affectera sa vitesse de rotation. Une pression légère est recommandée pour les travaux fins, une pression modérée pour les travaux grossiers. Une pression excessive ne permet pas au tampon de tourner suffisamment.
- Maintenez le patin de ponçage à plat sur la pièce à usiner. Le fait de basculer la ponceuse ou d'utiliser les bords du tampon peut produire une finition inégale et réduire la durée de vie du tampon.
- Maintenez la ponceuse en mouvement par larges coups réguliers sur la pièce. Poncer trop longtemps au même endroit peut provoquer des gouges et des résultats inégaux.
- Vérifiez fréquemment la pièce à travailler, les ponceuses orbitales travaillent de manière plus agressive que les ponceuses orbitales simples.

1. Placez la ponceuse sur la pièce à usiner et mettez la ponceuse en marche.
2. Maintenez la feuille de ponçage à plat contre la pièce, continuez à déplacer la ponceuse sur la pièce et effectuez de longs mouvements de balayage.
3. Commencez le ponçage avec un papier de verre à gros grain et utilisez progressivement des grains de papier de verre de plus en plus fins jusqu'à obtenir la finition souhaitée. Par exemple, lorsque vous utilisez la ponceuse sur du bois, commencez par un grain 80, puis un grain 120, puis un grain 180 et ainsi de suite.

Enlever la peinture ou le vernis

1. Lorsque vous enlevez plusieurs couches de peinture ou de vernis, enlevez-en le plus possible avec un solvant pour peinture ou un décapant pour vernis.
2. Grattez les résidus avec un couteau à mastic ou un autre outil de grattage et laissez la surface refroidir et sécher avant d'appliquer la ponceuse sur la pièce.
3. Choisissez une feuille de papier de verre à gros grain pour éviter que le papier de verre ne s'encrasse.
4. Gardez la ponceuse en mouvement sur les nouvelles zones pour éviter de chauffer et de ramollir l'ancien revêtement (peinture ou vernis).
5. Travaillez par larges touches qui se chevauchent pour obtenir une finition uniforme.
6. Lorsque la pièce commence à laisser apparaître l'ancien revêtement, passez à une feuille de papier de verre de grain moyen pour éviter de rayer la surface de la pièce. Passez progressivement à un papier de verre à grain fin jusqu'à ce que vous obteniez la finition souhaitée.

LAVAGE

Tenir toujours propres les orifices de ventilation de la machine.

ENTRETIEN

Utiliser uniquement les accessoires Milwaukee et les pièces détachées Milwaukee. Faire remplacer les composants dont le remplacement n'a pas été décrit, par un des centres de service après-vente Milwaukee (observer la brochure avec les adresses de garantie et de service après-vente).

Si besoin est, une vue éclatée de l'appareil peut être fournie. S'adresser, en indiquant bien le numéro porté sur la plaque signalétique, à votre station de service après-vente (voir liste jointe) ou directement à Techtronic Industries GmbH, Max-Eyth-Straße 10, 71364 Winnenden, Germany.

SYMBÔLES

	Veuillez lire avec soin le mode d'emploi avant la mise en service
	ATTENTION! AVERTISSEMENT! DANGER!
	Avant tous travaux sur l'appareil retirer l'accu interchangeable.
	Ne pas appliquer de la force.
	Toujours porter des lunettes protectrices en travaillant avec la machine.
	Porter un masque de protection approprié contre les poussières.
	Accessoires - Ces pièces ne font pas partie de la livraison. Il s'agit là de compléments recommandés pour votre machine et énumérés dans le catalogue des accessoires.
	Les déchets de piles et les déchets d'équipements électriques et électroniques (déchets d'équipements électriques et électroniques) ne sont pas à éliminer dans les déchets ménagers. Les déchets de piles et les déchets d'équipements électriques et électroniques doivent être collectés et éliminer séparément. Retirez les déchets de piles, les déchets d'accumulateurs et les ampoules des appareils avant de les jeter. S'adresser aux autorités locales ou au détaillant spécialisé en vue de connaître l'emplacement des centres de recyclage et des points de collecte. Selon les réglementations locales, les détaillants peuvent être tenus de reprendre gratuitement les déchets de piles et les déchets d'équipements électriques et électroniques. Contribuez à réduire la demande de matières premières en réutilisant et en recyclant vos déchets de piles et d'équipements électriques et électroniques. Les déchets de piles (surtout les piles au lithium-ion) et les déchets d'équipements électriques et électroniques comportent des matériaux précieux et recyclables qui peuvent avoir des impacts négatifs sur l'environnement et sur votre santé s'ils ne sont pas éliminés de manière écologique. Avant de mettre au rebut votre ancien appareil, supprimez les données personnelles qui pourraient s'y trouver.
n₀	Vitesse de rotation à vide
V	Tension

	Courant continu
	Marque de conformité européenne
	Marque de conformité britannique
	Marque de conformité ukrainienne
	Marque de conformité d'Eurasie

DATI TECNICI	M18 BQSS
Tipo di costruzione	Smerigliatrice ad oscillazione
Numero di serie	4914 11 01 XXXXXX MJJJJ
Tensione batteria	18 V \equiv
Numero di giri a vuoto	11.000 - 13.000 min ⁻¹
Diametro orbite	1,6 mm
Dimensione slitta	113 x 104 mm
Peso secondo la procedura EPTA 01/2014 (Li-Ion 2,0 Ah ... 12,0 Ah)	1,66 ... 2,72 kg
Temperatura ambiente consigliata per il funzionamento	-18 ... +50 °C
Batterie consigliate	M18B...; M18HB...
Caricatori consigliati	M12-18...; M1418C6
Informazioni sulla rumorosità: Valori misurati conformemente alla norma EN 62841.	
La misurazione A del livello di pressione acustica dell'utensile è di solito di:	
Livello di rumorosità / Incertezza della misura K	78,28 dB (A) / 3 db (A)
Potenza della rumorosità / Incertezza della misura K	89,28 dB (A) / 3 dB (A)
Utilizzare le protezioni per l'udito!	
Informazioni sulle vibrazioni: Valori totali delle oscillazioni (somma di vettori in tre direzionmisurati conformemente alla norma EN 62841	
Valore di emissione dell'oscillazione a _n / Incertezza della misura K	5,23 m/s ² / 1,50 m/s ²

AVVERTENZA!

Il/i valore/i di emissione acustica riportato/i in questa scheda informativa sono stati misurati conformemente a un metodo di prova standard sulla base della norma EN 62841 e possono essere utilizzati per confrontare gli utensili tra loro. Può/possono essere utilizzato/i anche per una valutazione preliminare dell'esposizione.

Il livello di vibrazione ed emissione acustica dichiarato rappresenta le applicazioni principali dell'utensile. Tuttavia, se l'utensile è utilizzato per applicazioni diverse, con accessori differenti o una manutenzione non adeguata, la vibrazione e l'emissione acustica potrebbero variare. Ciò può aumentare significativamente il livello di esposizione durante l'intera durata del lavoro.

Una stima del livello di esposizione alle vibrazioni e al rumore dovrebbe tenere conto anche dei periodi in cui l'utensile è spento o è in funzione ma non sta lavorando. Ciò può ridurre significativamente il livello di esposizione durante l'intera durata del lavoro.

Identificare le misure di sicurezza supplementari per proteggere l'operatore dagli effetti delle vibrazioni e/o del rumore, ad esempio eseguendo la manutenzione dell'utensile e degli accessori, mantenendo le mani calde e organizzando gli schemi di lavoro.

AVVERTENZA! Leggere tutte le avvertenze di sicurezza, le istruzioni, le illustrazioni e i dati forniti a corredo dell'apparecchio. In caso di mancata osservanza delle seguenti istruzioni vi è il pericolo di provocare una scossa elettrica, di sviluppare incendi e/o di provocare seri incidenti.

Conservare tutte le avvertenze di pericolo e le istruzioni operative per ogni esigenza futura.

ISTRUZIONI DI SICUREZZA PER LEVIGATRICI

La polvere di levigatura raccolta dai rivestimenti della superficie di levigatura come poliuretani, olio di lino, ecc. può autoincendiarsi nel sacchetto della polvere della levigatrice o altrove e causare un incendio. Per ridurre il rischio d'incendio, svuotare sempre il sacchetto della polvere frequentemente (10-15 minuti) durante la levigatura e non riporre o lasciare mai una levigatrice senza averne svuotato completamente il sacchetto. Seguire anche le raccomandazioni dei produttori dei rivestimenti.

ULTERIORI AVVISI DI SICUREZZA E DI LAVORO

Non entrare nel raggio d'azione dell'utensile mentre è in funzione.

Non rimuovere trucioli o schegge mentre l'utensile è in funzione.

Usare dispositivi di protezione. Durante il lavoro con la macchina bisogna sempre portare occhiali di protezione.

La polvere provocata durante la lavorazione con questo utensile può essere dannosa alla salute e per questo motivo non devono entrare in contatto con il corpo. Usare un sistema d'aspirazione polvere e indossare una maschera di protezione dalla polvere. Rimuovere i depositi di polvere, per esempio con un aspiratore.

E' vietato lavorare materiali che possono costituire pericoli alla salute (ad es. amianto).

Disinserire immediatamente la macchina in caso che si verificano delle forti oscillazioni oppure se si riscontrano altri difetti.

Controllare la macchina per cercare di identificarne le cause.

Il pezzo in lavorazione deve essere ben bloccato in posizione a meno che non resti stabile per via del proprio peso.

Non lasciare che nessuna parte metallica venga a contatto con l'apertura dell'areazione - pericolo di corto circuito

AVVERTENZA! Per ridurre il rischio d'incendio, di lesioni o di danni al prodotto causati da corto circuito, non immergere mai l'utensile, la batteria ricaricabile o il carica batterie in un liquido e non lasciare mai penetrare alcun liquido all'interno dei dispositivi e delle batterie. I fluidi corrosivi o conduttori come acqua salata, alcuni agenti chimici, agenti candeggianti o prodotti contenenti agenti candeggianti potrebbero provocare un corto circuito.

Utilizzare solo accessori Milwaukee con fissaggio adesivo

Non aprire nè la batteria nè il caricatore e conservarli solo in luogo asciutto. Proteggerli dalla umidità.

Le batterie del System M18 sono ricaricabili esclusivamente con i caricatori del System M18.

UTILIZZO CONFORME

La levigatrice può essere usata per levigare legno, plastica, metallo, stucco e superfici verniciate.

Non utilizzare il prodotto in altri modi diversi da quelli indicati per l'uso previsto.

RISCHI RESIDUI

Anche in caso di utilizzo corretto non è possibile escludere tutti i rischi residui. Durante l'uso possono esistere i seguenti pericoli e l'utilizzatore deve porre particolare attenzione per evitarli:

- Lesioni causate da vibrazioni. Tenere il dispositivo sulle apposite impugnature e limitare i tempi di lavoro e di esposizione.
- L'esposizione al rumore può causare danni all'udito. Indossare una protezione per l'udito e limitare la durata dell'esposizione.
- Lesioni agli occhi causate da particelle di detriti. Indossare sempre occhiali di protezione, pantaloni lunghi pesanti, guanti e scarpe robuste.
- Inalazione di polveri tossiche.

NOTE PER BATTERIE AGLI IONI DI LITIO

Uso di batterie agli ioni di litio

Batterie non utilizzate per molto tempo devono essere ricaricate prima dell'uso.

A temperature superiori ai 50°C, la potenza della batteria si riduce. Evitare di esporre l'accumulatore a surriscaldamento prolungato, dovuto ad esempio ai raggi del sole o ad un impianto di riscaldamento.

Per una ottimale vita utile è necessario ricaricare completamente le batterie dopo l'uso.

Per una più lunga durata, rimuovere le batterie dal caricabatterie quando saranno cariche.

In caso di immagazzinaggio della batteria per più di 30 giorni: Immagazzinare la batteria a circa 27°C in ambiente asciutto.

Immagazzinare la batteria con carica di circa il 30% - 50%. Ricaricare la batteria ogni 6 mesi.

Protezione contro il sovraccarico di batterie agli ioni di litio

In caso di sovraccarico dell'accumulatore dovuto ad un consumo molto elevato di corrente, ad es. momenti di coppia estremamente elevati, arresto improvviso o corto circuito, l'utensile elettrico vibra per 5 secondi, il display di carica lampeggia e l'elettrotensile si spegne automaticamente.

Per riaccenderlo rilasciare l'interruttore e poi riaccenderlo. Se sottoposto a sollecitazioni estreme l'accumulatore si riscalda eccessivamente. In questo caso lampeggiano tutte le spie del display di carica finché l'accumulatore non è raffreddato. Quando il display di carica si spegne si può continuare a lavorare.

Trasporto di batterie agli ioni di litio

Le batterie agli ioni di litio sono soggette alle disposizioni di legge sul trasporto di merce pericolosa.

Il trasporto di queste batterie deve avvenire rispettando le disposizioni e norme locali, nazionali ed internazionali.

Gli utilizzatori possono trasportare queste batterie su strada senza alcuna restrizione.

Il trasporto commerciale di batterie agli ioni di litio è regolato dalle disposizioni sul trasporto di merce pericolosa. Le preparazioni al trasporto ed il trasporto stesso devono essere svolti esclusivamente da persone idoneamente istruite. Tutto il processo deve essere gestito in maniera professionale.

Durante il trasporto di batterie occorre tenere conto di quanto segue: Assicurarsi che i contatti siano protetti ed isolati per evitare corto circuiti.

Accertarsi che il gruppo di batterie non possa spostarsi all'interno dell'imballaggio. Batterie danneggiate o batterie che perdono liquido non devono essere trasportate. Per ulteriori informazioni si prega di contattare il proprio trasportatore.

ISTRUZIONI DI LAVORO

Levigatura generale con levigatrici ad orbita casuale

Quando si usano levigatrici ad orbita casuale occorre tenere a mente diversi punti:

- a differenza della maggior parte delle levigatrici, quelle ad orbita casuale devono essere posizionate sul pezzo da lavorare PRIMA di avviare l'utensile. Se la levigatrice viene avviata prima di essere posizionata sul pezzo da lavorare, il tampone flottante può girare a una velocità che può causare graffi quando viene finalmente posizionato sul pezzo da lavorare.
- A differenza della maggior parte delle levigatrici, quelle ad orbita casuale possono essere spostate sul pezzo da lavorare in qualsiasi direzione (nel caso del legno, indipendentemente dalla direzione delle venature).
- La variazione della pressione applicata alla levigatrice influenzerà la sua velocità di rotazione. Si raccomanda una pressione leggera per i lavori fini e una pressione moderata per lavori grossolani. Una pressione eccessiva non permette ai tamponi di ruotare a sufficienza.
- Tenere il tampone di levigatura in piano sul pezzo da lavorare. Ribaltare la levigatrice o usare i bordi del tampone può produrre una finitura irregolare e ridurre la durata di vita del tampone.
- Mantenere la levigatrice in movimento con ampi movimenti uniformi sul pezzo da lavorare. Levigare troppo a lungo in un punto può causare scricchiolii e risultati non uniformi.
- Controllare spesso il pezzo da lavorare. Le levigatrici orbitali casuali sono più forti delle semplici levigatrici orbitali.

1. Posizionare la levigatrice sul pezzo da lavorare e accendere la levigatrice.
2. Tenere il foglio di levigatura piatto contro il pezzo da lavorare, mantenere la levigatrice in movimento sul pezzo da lavorare e procedere con colpi lunghi e ampi.
3. Iniziare la levigatura con una carta vetrata a grana grossa e utilizzare gradualmente grane sempre più fini di carta vetrata fino a raggiungere la finitura desiderata. Per esempio, quando si usa la levigatrice sul legno, cominciare con una grana 80, per passare poi a una grana 120, 180 e così via.

Rimozione di pittura o vernice

1. Quando si rimuovono diversi strati di pittura o vernice, rimuoverne il più possibile con un solvente per pittura o uno sverniciatore.
2. Raschiare via il residuo con una spatola o un altro utensile di raschiamento e lasciare che la superficie si raffreddi e si asciughi prima di applicare la levigatrice al pezzo da lavorare.
3. Scegliere un foglio di carta di levigatura grana grossa per evitare che la carta si inceppi.
4. Mantenere la levigatrice in movimento sulle nuove aree per evitare di riscaldare e ammorbidire il vecchio rivestimento (vernice o pittura).
5. Procedere con movimenti larghi e sovrapposti per produrre una finitura uniforme.
6. Quando si comincia a vedere il pezzo attraverso il vecchio rivestimento, passare a un foglio di carta di media grana per evitare di graffiare la superficie del pezzo da lavorare. Passare gradualmente a una carta di levigatura di grana fine fino a raggiungere la finitura desiderata.

LAVAGGIO E PULIZIA













Tener sempre ben pulite le fessure di ventilazione dell'apparecchio.

MANUTENZIONE

Usare solo accessori Milwaukee e pezzi di ricambio Milwaukee. Gruppi costruttivi la cui sostituzione non è stata descritta, devono essere fatti cambiare da un punto di servizio di assistenza tecnica al cliente Milwaukee (vedi depliant garanzia/indirizzi assistenza tecnica ai clienti).

In caso di mancanza del disegno esploso, può essere richiesto al seguente indirizzo: Techtronic Industries GmbH, Max-Eyth-Straße 10, 71364 Winnenden, Germany.

Simboli

	Leggere attentamente le istruzioni per l'uso prima di mettere in funzione l'elettrotensile.
	ATTENZIONE! AVVERTENZA! PERICOLO!
	Prima di iniziare togliere la batteria dalla apparecchio.
	Non applicare forza.
	Durante l'uso dell'apparecchio utilizzare sempre gli occhiali di protezione.
	Portare un'adeguata mascherina protettiva.
	Accessorio - Non incluso nella dotazione standard, disponibile a parte come accessorio.
	I rifiuti di pile e i rifiuti di apparecchiature elettriche ed elettroniche non devono essere smaltiti insieme ai rifiuti domestici. I rifiuti di pile e di apparecchiature elettriche ed elettroniche devono essere raccolti e smaltiti separatamente. Rimuovere i rifiuti di pile e di accumulatori nonché le sorgenti luminose dalle apparecchiature prima di smaltirle. Chiedere alle autorità locali o al rivenditore specializzato dove si trovano i centri di riciclaggio e i punti di raccolta. A seconda dei regolamenti locali, i rivenditori al dettaglio possono essere obbligati a ritirare gratuitamente i rifiuti di pile e i rifiuti di apparecchiature elettriche ed elettroniche. Aiutate a ridurre il fabbisogno di materie prime riutilizzando e riciclando i propri rifiuti di pile e di apparecchiature elettriche ed elettroniche. I rifiuti di pile (specialmente di pile agli ioni di litio) e i rifiuti di apparecchiature elettriche ed elettroniche contengono materiali preziosi e riciclabili che possono avere un impatto negativo sull'ambiente e sulla vostra salute se non vengono smaltiti in modo ecologico. Cancellare tutti i dati personali che potrebbero essere presenti sul vostro rifiuto di apparecchiatura prima di procedere allo smaltimento.
n_0	Numero di giri a vuoto
V	Voltaggio
	Corrente continua
	Marchio di conformità europeo
	Marchio di conformità britannico
	Marchio di conformità ucraino



Marchio di conformità euroasiatico

DATOS TÉCNICOS	M18 BQSS
Tipo de construcción	Lijadora vibratoria
Número de producción	4914 11 01 XXXXXX MJJJJ
Voltaje de batería	18 V \approx
Velocidad en vacío	11.000 - 13.000 min ⁻¹
Radio de las orbitas ϕ	1,6 mm
Dimensiones del plato	113 x 104 mm
Peso de acuerdo con el procedimiento EPTA 01/2014 (Li-Ion 2,0 Ah ... 12,0 Ah)	1,66 ... 2,72 kg
Temperatura ambiente recomendada para la operación	-18 ... +50 °C
Juegos de baterías recomendados	M18B...; M18HB...
Cargadores recomendados	M12-18...; M1418C6
Información sobre ruidos: Determinación de los valores de medición según norma EN 62841.	
El nivel de ruido típico del aparato determinado con un filtro A corresponde a:	
Presión acústica / Tolerancia K	78,28 dB (A) / 3 db (A)
Resonancia acústica / Tolerancia K	89,28 dB (A) / 3 db (A)
Usar protectores auditivos!	
Informaciones sobre vibraciones: Nivel total de vibraciones (suma vectorial de tres direcciones) determinado según EN 62841.	
Valor de vibraciones generadas a _h / Tolerancia K	5,23 m/s ² / 1,50 m/s ²

ADVERTENCIA!

El nivel de emisión de ruido y vibración indicado en esta hoja informativa se ha medido de acuerdo con una prueba estandarizada que figura en EN 62841 y se puede usar para comparar una herramienta con otra. Puede ser empleado para una evaluación preliminar de la exposición.

El nivel declarado emisión de vibración y ruido representa las principales aplicaciones de la herramienta. Sin embargo, si la herramienta se utiliza para diferentes aplicaciones, con diferentes accesorios o con un mantenimiento deficiente, la emisión de ruido y vibración puede diferir. Esto puede aumentar significativamente el nivel de exposición durante el periodo total de trabajo.

También se debe tener en cuenta una estimación del nivel de exposición a la vibración y el ruido cuando la herramienta está apagada o cuando está funcionando, pero no está haciendo su trabajo. Esto puede reducir significativamente el nivel de exposición durante el periodo total de trabajo.

Identifique medidas de seguridad adicionales para proteger al operador de los efectos de la vibración o el ruido, como realizar mantenimiento de la herramienta y los accesorios, mantener las manos calientes y organizar las pautas de trabajo.

ADVERTENCIA! Lea las indicaciones de seguridad, instrucciones, descripciones y datos que se incluyen en el aparato. En caso de no atenerse a las instrucciones siguientes, ello puede provocar una electrocución, incendio y/o lesiones serias.

Guardar todas las advertencias de peligro e instrucciones para futuras consultas.

INSTRUCCIONES DE SEGURIDAD PARA LIJADORAS

El polvo de lijado recogido al lijar revestimientos superficiales, como poliuretanos, aceite de linaza, etc., puede ocasionar autoignición en la bolsa recoge polvo de la lijadora o en otro lugar y provocar un incendio. Para reducir el riesgo de incendio, vacíe siempre la bolsa recoge polvo frecuentemente (cada 10-15 minutos) mientras lija y nunca guarde o deje una lijadora sin vaciar totalmente su bolsa recoge polvo. Siga también las recomendaciones de los fabricantes de revestimientos.

INSTRUCCIONES ADICIONALES DE SEGURIDAD Y LABORALES

No manipular en el rodillo ni en las cuchillas con la máquina conectada.

Nunca se debe intentar limpiar el polvo o viruta procedente del taladrado con la máquina en funcionamiento.

Utilice el equipamiento de protección. Mientras trabaje con la máquina lleve siempre gafas protectoras.

El polvo que se produce cuando se usa esta herramienta puede ser perjudicial para la salud. Use un sistema de absorción de polvo y utilice una máscara adecuada de protección contra el polvo. Limpie el polvo depositado, por ejemplo con un aspirador.

No se deben trabajar materiales que conlleven un riesgo para la salud (por ej. amianto).

Desconectar inmediatamente el aparato al presentarse vibraciones fuertes u otras anomalías. Examine la máquina para determinar las posibles causas.

La pieza de trabajo debe fijarse adecuadamente, a no ser que se mantenga bien fija por su propio peso.

Evite que cualquier pieza metálica alcance las ranuras de ventilación - ¡peligro de cortocircuito!

ADVERTENCIA! Para reducir el riesgo de incendio, lesiones personales y daños al producto debido a un cortocircuito, no sumerja nunca la herramienta, el paquete de baterías o el cargador en líquido ni permita que fluya un fluido dentro de ellos. Los fluidos corrosivos o conductivos, como el agua de mar, ciertos productos químicos industriales y blanqueadores o lejías que contienen, etc., Pueden causar un cortocircuito.

Utilizar solamente accesorios y lijas originales Milwaukee con fijación tipo Velcro.

No abra nunca las baterías ni los cargadores y guárdelos sólo en lugares secos. Protéjalos de la humedad en todo momento.

Recargar solamente los acumuladores del Sistema M18 en cargadores M18.

APLICACIÓN DE ACUERDO A LA FINALIDAD

La lijadora se puede utilizar para lijar madera, plástico, metal, masilla y superficies pintadas.

No use el producto de ninguna manera que no sea la indicada para el uso previsto.

PELIGROS RESIDUALES

Incluso en caso de un uso correcto, no es posible excluir por completo la existencia de riesgos residuales. Durante el uso de la máquina se pueden producir los siguientes riesgos a tener en cuenta especialmente por el operador de la misma.

- Lesiones provocadas por efecto de la vibración. Sujete el dispositivo utilizando las empuñaduras previstas para ello y limite el tiempo de trabajo y de exposición a riesgos.
- La contaminación acústica puede provocar lesiones auditivas. Lleve una protección auditiva y limite el tiempo de exposición a riesgos.
- Lesiones oculares producidas por partículas de suciedad. Lleve siempre gafas protectoras, pantalones resistentes y largos y calzados resistentes.
- Inhalación de polvos tóxicos.

INDICACIONES PARA BATERÍAS DE IONES DE LITIO

Uso de baterías de iones de litio

Las baterías no utilizadas durante cierto tiempo deben ser recargadas antes de usar.

Las temperaturas superiores a 50°C reducen el rendimiento de la batería. Evite una exposición excesiva a fuentes de calor o al sol (riesgo de sobrecalentamiento). Los puntos de contacto de los cargadores y las baterías se deben mantener limpios.

Para un tiempo óptimo de vida, deberán cargarse las baterías completamente después de su uso. Para garantizar la máxima capacidad y vida útil, las baterías recargables se deberían retirar del cargador una vez finalizada la carga.

En caso de almacenar la batería recargable más de 30 días: Almacenar la batería recargable en un lugar seco a una temperatura de aproximadamente 27°C. Almacenar la batería recargable con un estado de carga del 30% y 50% aproximadamente. Recargar la batería cada 6 meses.

Protección de sobrecarga de baterías en baterías de iones de litio

En caso de sobrecarga de la batería a causa de un consumo de corriente demasiado elevado, por ejemplo, en momentos de torsión extremadamente altos, de una parada o cortocircuito repentinos; el aparato eléctrico vibra durante 5 segundos, el indicador de carga parpadea y el aparato eléctrico se desconecta automáticamente.

Para conectarlo de nuevo, soltar el botón de encendido y después conectarlo otra vez. Bajo cargas extremas la batería se calienta demasiado. En este caso, todas las luces del indicador de carga parpadean hasta que la batería se enfría. Cuando se apaga el indicador de carga se puede trabajar de nuevo.

Transporte de baterías de iones de litio

Las baterías de iones de litio caen bajo las disposiciones legales relativas al transporte de mercancías peligrosas.

El transporte de estas baterías recargables debe llevarse a cabo, observando las normas y disposiciones locales, nacionales e internacionales.

Los consumidores pueden transportar estas baterías recargables sin el menor reparo en la calle.

El transporte comercial de baterías recargables de iones de litio por empresas de transportes está sometido a las disposiciones del transporte de mercancías peligrosas. Las preparaciones para el envío y el transporte deben ser llevados a cabo exclusivamente por personas instruidas adecuadamente. El proceso completo debe ser supervisado por personal competente.

Los siguientes puntos se deben observar para el transporte de las baterías recargables:

Se debe asegurar que los contactos estén protegidos y aislados para evitar que se produzcan cortocircuitos.

Preste atención a que el conjunto de baterías recargables no se pueda desplazar dentro del envase. Las baterías recargables deterioradas o derramadas no se deben transportar. Rogamos que para cualquier información adicional se dirija a su empresa de transportes.

INDICACIONES PARA EL TRABAJO

Lijado general con lijadoras orbitales aleatorias

Al utilizar lijadoras orbitales aleatorias deben tenerse en cuenta algunas cosas:

- A diferencia de la mayoría de las lijadoras, las lijadoras orbitales aleatorias deben colocarse en la pieza de trabajo ANTES de poner en marcha la herramienta. Si la lijadora se pone en marcha antes de colocarla en la pieza de trabajo, el disco fluctuante puede estar girando a una velocidad que puede causar arañazos cuando finalmente se coloque en la pieza.
 - A diferencia de la mayoría de las lijadoras, las lijadoras orbitales aleatorias pueden moverse a través de la pieza de trabajo en cualquier dirección (en el caso de la madera, independientemente de la dirección del grano).
 - La variación de la presión aplicada a la lijadora afectará a su velocidad de giro. Se recomienda aplicar una presión ligera para trabajos de precisión y una presión moderada para trabajos aproximados. Una presión excesiva no permite que el disco gire lo suficiente.
 - Mantenga el disco de lijado plano sobre la pieza de trabajo. Inclinar la lijadora o utilizar los bordes del disco puede producir un acabado irregular y reducir la vida útil del disco.
 - Mantenga la lijadora trazando movimientos amplios y uniformes sobre la pieza de trabajo. Lijar en un punto durante demasiado tiempo puede causar raspados y resultados desiguales.
 - Compruebe la pieza de trabajo con frecuencia, ya que las lijadoras orbitales aleatorias trabajan de forma más agresiva que las lijadoras orbitales simples.
- Coloque la lijadora sobre la pieza de trabajo y encienda la lijadora.
 - Mantenga el papel de lija plano contra la pieza de trabajo, mantenga la lijadora en movimiento a lo largo de la pieza de trabajo y utilice movimientos largos y de barrido.
 - Comience a lijar con un papel de lija de grano grueso y utilice gradualmente lijas cada vez más finas hasta alcanzar el acabado deseado. Por ejemplo, cuando utilice la lijadora en madera, comience con un grano 80, seguido de un grano 120, luego un grano 180 y así sucesivamente.

Eliminar pintura o barniz

- Cuando se eliminen varias capas de pintura o barniz, retire la mayor cantidad posible con un disolvente de pintura o desbarnizador.
- Raspe los residuos con una espátula u otra herramienta de raspado y deje que la superficie se enfríe y se seque antes de utilizar la lijadora en la pieza.
- Seleccione una hoja de lija de grano grueso para evitar que el papel de lija se atasque.
- Mantenga la lijadora en movimiento sobre las zonas nuevas para evitar que se caliente y ablande el revestimiento antiguo (pintura o barniz).
- Trabaje con trazos amplios y superpuestos para obtener un acabado uniforme.
- Cuando la pieza empiece a mostrar el revestimiento antiguo, cambie a una hoja de papel de lija de grano medio para evitar arañar la superficie de la pieza. Cambie gradualmente a un papel de lija de grano fino hasta conseguir el acabado deseado.

LIMPIEZA











Las ranuras de ventilación de la máquina deben estar despejadas en todo momento.




MANTENIMIENTO

Utilice solamente accesorios y repuestos Milwaukee. En caso de necesitar reemplazar componentes no descritos, contacte con cualquiera de nuestras estaciones de servicio Milwaukee (consultar lista de servicio técnicos)

En caso necesario, puede solicitar un despiece de la herramienta. Por favor indique el número de impreso que hay en la etiqueta y pida el despiece a la siguiente dirección: Techtronic Industries GmbH, Max-Eyth-Straße 10, 71364 Winnenden, Germany.

SÍMBOLOS

	Lea las instrucciones detenidamente antes de conectar la herramienta
	¡ATENCIÓN! ¡ADVERTENCIA! ¡PELIGRO!
	Retire la batería antes de comenzar cualquier trabajo el aparato.
	No aplique fuerza.
	Para trabajar con la máquina, utilizar siempre gafas de protección.
	Utilice por ello una máscara protectora contra polvo.
	Accesorio - No incluido en el equipo estándar, disponible en la gama de accesorios.
	Los residuos de pilas y de aparatos eléctricos y electrónicos no se deben desechar junto con la basura doméstica. Los residuos de pilas y de aparatos eléctricos y electrónicos se deben recoger y desechar por separado. Retire los residuos de pilas y acumuladores, así como las fuentes de iluminación de los aparatos antes de desecharlos. Infórmese en las autoridades locales o en su distribuidor especializado sobre los centros de reciclaje y los puntos de recogida. Dependiendo de las disposiciones locales al respecto, los distribuidores minoristas pueden estar obligados a aceptar de forma gratuita la devolución de residuos de pilas, aparatos eléctricos y electrónicos. Contribuya mediante la reutilización y el reciclaje de sus residuos de pilas y de aparatos eléctricos y electrónicos a reducir la demanda de materias primas. Los residuos de pilas (sobre todo de pilas de iones de litio) y de aparatos eléctricos y electrónicos contienen valiosos materiales reutilizables que pueden tener efectos negativos para el medio ambiente y su salud si no son desechados de forma respetuosa con el medio ambiente. Antes de desecharlos, elimine los datos personales que podría haber en los residuos de sus aparatos.
n_0	Velocidad en vacío
V	Tensión
	Corriente continua
	Marcado de conformidad europeo

	Marcado de conformidad británico
	Marcado de conformidad ucraniano
	Marcado de conformidad euroasiático

CARACTERÍSTICAS TÉCNICAS

	M18 BQSS
Tipo	rebarbadora de vibración,
Número de produção	4914 11 01 XXXXX MJJJJ
Tensão do acumulador	18 V \equiv
Velocidade em vazio	11.000 - 13.000 min ⁻¹
\varnothing do círculo vibratório	1,6 mm
Dimensões da base de lixagem	113 x 104 mm
Peso nos termos do procedimento-EPTA 01/2014 (Li-Ion 2,0 Ah ... 12,0 Ah)	1,66 ... 2,72 kg
Temperatura ambiente recomendada para a operação	-18 ... +50 °C
Conjuntos de baterias recomendados	M18B...; M18HB...
Carregadores recomendados	M12-18...; M1418C6

Informações sobre ruído: Valores de medida de acordo com EN 62841.

O nível de ruído avaliado A do aparelho é tipicamente:

Nível da pressão de ruído / Incerteza K 78,28 dB (A) / 3 dB (A)

Nível da potência de ruído / Incerteza K 89,28 dB (A) / 3 dB (A)

Use protectores auriculares!

Informações sobre vibração: Valores totais de vibração (soma dos vectores das três direcções) determinadas conforme EN 62841.

Valor de emissão de vibração a_v / Incerteza K 5,23 m/s² / 1,50 m/s²

ATENÇÃO!

O nível de emissão de ruído e vibração fornecido nesta ficha de informações foi medido de acordo com um teste padronizado que se encontra na norma EN 62841, podendo ser utilizado para fazer comparações entre ferramentas. Pode ser utilizado para fazer uma avaliação preliminar da exposição.

O nível de emissão de ruído e vibração declarado representa as principais aplicações da ferramenta. No entanto, se a ferramenta for utilizada para aplicações diferentes ou com acessórios distintos, ou se a sua manutenção for deficiente, a emissão de ruídos e vibrações poderá diferir. Isso poderá aumentar significativamente o nível de exposição ao longo do período de trabalho total.

A estimativa do nível de exposição à vibração e ruído também deve ter em conta os tempos em que a ferramenta, quer desligada quer em funcionamento, não está realmente a trabalhar. Isso poderá reduzir significativamente o nível de exposição ao longo do período de trabalho total.

Identifique medidas de segurança adicionais para proteger o operador contra os efeitos da vibração e/ou ruído, tais como: fazer a manutenção da ferramenta e dos acessórios, manter as mãos quentes, organizar padrões de trabalho.

ATENÇÃO! Ler todas as indicações de segurança, instruções, representações e dados fornecidos juntamente com o aparelho. O desrespeito das seguintes instruções pode levar a um choque eléctrico, incêndio e/ou graves lesões.

Guarde bem todas as advertências e instruções para futura referência.

INSTRUÇÕES DE SEGURANÇA PARA LIXADEIRAS

O pó produzido pelo polimento de superfícies, tais como poliuretanos, óleo de linhaça, etc. pode autoinflamar-se no saco do pó da lixadeira ou noutra lugar e causar incêndio. Para reduzir o risco de incêndio, esvazie sempre o saco do pó regularmente (10-15 minutos) enquanto lixa e nunca guarde nem deixe a lixadeira, sem esvaziar totalmente o saco do pó. Siga também as recomendações dos fabricantes de revestimentos.

INSTRUÇÕES DE SEGURANÇA E TRABALHO SUPLEMENTARES

Não introduza as mãos na área perigosa, estando a máquina em funcionamento.

Não remover aparas ou lascas enquanto a máquina trabalha.

Utilizar equipamento de protecção. Durante os trabalhos com a máquina, usar sempre óculos de protecção.

A poeira gerada ao trabalhar com esta ferramenta pode ser perigosa para a saúde e por isso não deve atingir o corpo. Utilize um sistema de absorção de poeiras e use uma máscara de protecção. Retire completamente a poeira depositada, por exemplo com um aspirador.

Não devem ser processados materiais que representem um perigo para a saúde (p. ex. asbesto).

Desligar imediatamente o aparelho, se ocorrerem grandes oscilações ou se forem observadas outras avarias. Controlar a máquina para determinar a causa.

A peça a ser trabalhada deve ser fixada, caso não esteja firme devido ao seu peso próprio.

Não deixe que peças metálicas toquem nas fendas de circulação de ar - perigo de curto-circuitos.

ATENÇÃO! Para evitar o risco de incêndio, de feridas ou de danificação do produto causado por um curto-circuito, não imerja a bateria intercambiável ou o carregador em líquidos e assegure-se de que líquidos não penetrem nos aparelhos ou nas baterias. Líquidos corrosivos ou condutivos como água salgada, determinadas substâncias químicas ou produtos que contenham branqueadores podem causar um curto-circuito.

Só utilizar folhas de lixa e acessórios de polir com fixação autoaderente da Milwaukee.

Carregadores só devem ser utilizados em recintos secos.

Use apenas carregadores do Sistema M18 para recarregar os acumuladores do Sistema M18.

UTILIZAÇÃO AUTORIZADA

A lixadeira pode ser utilizada para lixar madeira, plástico, metal, material de enchimento e superfícies pintadas.

Não utilize o produto de qualquer outra forma além das indicadas para a utilização prevista.

RISCOS RESIDUAIS

Mesmo em caso de utilização correta não é possível excluir todos os riscos residuais. Na utilização da máquina podem ser causados os seguintes perigos que o utilizador deve observar:

- Feridas causadas pela vibração. Segure o aparelho nos punhos previstos e limite o tempo de trabalho e exposição.
- Os ruídos podem levar à perda de audição. Use um protetor auricular e limite o período de exposição.
- Feridas dos olhos causadas por partículas de sujeira. Sempre use óculos de proteção, calças compridas sólidas e calçados sólidos.
- Inalação de pós tóxicos.

NOTAS PARA BATERIAS DE IÕES DE LÍTIU

Utilização de iões de lítio

Acumuladores não utilizados durante algum tempo devem ser recarregados antes da sua utilização.

Temperaturas acima de 50°C reduzem a capacidade do bloco acumulador. Evitar exposição prolongada ao sol ou a caloríferos. Manter limpos os contactos eléctricos no carregador e no bloco acumulador.

Para uma vida útil óptima das baterias, terá que carregá-las plenamente após a sua utilização.

Para assegurar uma vida útil longa, o pacote de bateria deve ser removido da carregadora depois do carregamento.

Se o pacote de bateria for armazenado por mais de 30 dias: Armazene o pacote de bateria com aprox. 27°C em um lugar seco. Armazene o pacote de bateria com aprox. 30%-50% da carga completa.

Carregue o pacote de bateria novamente de 6 em 6 meses.

Proteção contra sobrecarga para baterias de iões de lítio

No caso de sobrecarga da bateria devido a um consumo de corrente demasiado elevado, por exemplo um binário de rotação extremamente elevado, uma paragem repentina ou um curto-circuito, a ferramenta eléctrica vibra durante 5 segundos, o indicador de carregamento de bateria começa a piscar e a ferramenta eléctrica desliga-se automaticamente.

Para a ligar novamente, desligar e voltar a ligar o interruptor Sob condições extremas, a bateria aquece demasiado. Nesse caso, todas as luzes do indicador de carregamento de bateria piscam até que esta arrefeça. Após as luzes do indicador de carregamento de bateria se apagarem, pode-se continuar a trabalhar.

Transporte de baterias de ião-lítio

Baterias de ião-lítio estão sujeitas às disposições da legislação relativa às substâncias perigosas.

O transporte destas baterias deve ser efetuado de acordo com as disposições e os regulamentos locais, nacionais e internacionais.

O utilizador pode efetuar o transporte rodoviário destas baterias sem restrições.

O transporte comercial de baterias de ião-lítio por terceiros está sujeito aos regulamentos relativos às substâncias perigosas. A preparação do transporte e o transporte devem ser executados exclusivamente por pessoas instruídas e o processo deve ser acompanhado pelos especialistas correspondentes.

Observe o seguinte no transporte de baterias:

Assegure-se de que os contactos terminais estejam protegidos e isolados para evitar um curto-circuito.

Assegure-se de que o bloco da bateria esteja protegido contra movimentos na embalagem. Não transporte baterias danificadas ou que tenham fuga. Para instruções mais detalhadas consulte a companhia de transportes

DICAS DE TRABALHO

Lixamento geral com Lixadeiras orbitais aleatórias

Quando usar lixadeiras orbitais aleatórias, ter em atenção o seguinte:

- Ao contrário da maioria das lixadeiras, as lixadeiras orbitais aleatórias devem ser colocadas na peça de trabalho ANTES de ligar a ferramenta. Se a lixadeira for ligada antes de ser colocada na peça de trabalho, o disco flutuante pode girar a uma velocidade que pode causar arranhões, no momento em que é colocado na peça de trabalho.
- Ao contrário da maioria das lixadeiras, as lixadeiras orbitais aleatórias podem ser deslocadas em qualquer direção (no caso da madeira, independentemente da direção do grão) na peça de trabalho.
- A pressão variável aplicada a lixadeira afeta a respetiva velocidade de rotação. Recomenda-se uma ligeira pressão para um bom trabalho, uma pressão moderada para trabalhos brutos. A pressão excessiva não permite que o disco rode o suficiente.
- Mantenha o disco de lixar plano na peça de trabalho. A inclinação da lixadeira ou a utilização das bordas do disco pode produzir um acabamento irregular, e reduzir a vida útil do disco.
- Mantenha a lixadeira a trabalhar ao longo da peça de trabalho, usando movimentos de varredura amplos e uniformes. Lixar num ponto demasiado tempo pode causar bloqueios e resultados não uniformes.
- Verifique regularmente a peça de trabalho: as lixadeiras orbitais aleatórias trabalham com maior agressividade do que as lixadeiras orbitais simples.

1. Coloque a lixadeira na peça de trabalho e ligue-a.
2. Mantenha a folha de lixa plana contra a peça de trabalho, desloque a lixadeira sobre a peça de trabalho de modo contínuo e com movimentos longos e amplos.
3. Inicie o lixamento com uma lixa grão mais grossa e vá alternando gradualmente para lixas de grão mais fino até obter o acabamento desejado. Por exemplo, ao usar a lixadeira em madeira, comece com um Grão 80, alterne para um Grão 120, depois um Grão 180 e assim por diante.

Remoção de Tinta ou Verniz

1. Ao remover várias camadas de tinta ou verniz, comece por tentar retirar o máximo possível com um solvente de tinta ou um dissolvente de verniz.
2. Raspe o resíduo com uma espátula ou outra ferramenta de raspagem e deixe a superfície arrefecer e secar antes de colocar a lixadeira sobre a peça de trabalho.
3. Escolha uma lixa grão mais grossa para ajudar a evitar o bloqueio da lixa grão.
4. Opte por manter a lixadeira em movimento sobre áreas ainda não tratadas para evitar o aquecimento e amolecimento do revestimento antigo (pinta ou verniz).
5. Trabalhe com movimentos de varredura amplos e por camadas, para obter um acabamento uniforme.
6. Assim que a peça de trabalho começar a aparecer através do revestimento antigo, alterne para uma lixa grão média, para evitar arranhar a superfície da peça de trabalho. Vá alternando gradualmente para lixas de grão mais fino até obter o acabamento desejado.

LIMPEZA

Mantenher desobstruídos os rasgos de ventilação na carcaça da máquina.

MANUTENÇÃO

Utilizar apenas acessórios Milwaukee e peças sobresselentes Milwaukee. Os componentes cuja substituição não esteja descrita devem ser substituídos num serviço de assistência técnica Milwaukee (consultar a brochura relativa à garantia/moradas dos serviços de assistência técnica).

A pedido e mediante indicação da referência que consta da chapa de características da máquina, pode requerer-se um desenho explosivo da ferramenta eléctrica a: Techtronic Industries GmbH, Max-Eyth-Straße 10, 71364 Winnenden, Germany.

SÍMBOLOS

	Leia atentamente o manual de instruções antes de colocar a máquina em funcionamento.
	ATENÇÃO! PERIGO!
	Antes de efectuar qualquer intervenção o aparelho retirar o bloco acumulador.
	Não aplique força.
	Usar sempre óculos de protecção ao trabalhar com a máquina.
	Use uma máscara de protecção contra pó apropriada.
	Acessório - Não incluído no equipamento normal, disponível como acessório.
	Resíduos de pilhas, resíduos de equipamentos eléctricos e eletrónicos não devem ser descartados com o lixo doméstico. Resíduos de pilhas, resíduos de equipamentos eléctricos e eletrónicos devem ser recolhidos e descartados separadamente. Remova os resíduos de pilhas, os resíduos de acumuladores e as luzes antes de descartar os equipamentos. Informe-se sobre os centros de reciclagem e os postos de coleta nas autoridades locais ou no seu vendedor autorizado. Dependendo dos regulamentos locais, os retalhistas podem ser obrigados a retomar gratuitamente os resíduos de pilhas e os resíduos de equipamentos eléctricos e eletrónicos. Contribua a reduzir as necessidades de matérias-primas, reutilizando e reciclando os seus resíduos de pilhas e os seus resíduos de equipamentos eléctricos e eletrónicos. Resíduos de pilhas (particularmente pilhas de íon lítio), resíduos de equipamentos eléctricos e eletrónicos contém materiais valiosos e reutilizáveis que podem ter efeitos negativos para o meio ambiente e a sua saúde. Apague eventuais dados pessoais existentes no seu resíduo de equipamento antes de descartá-lo.
n_0	Velocidade em vazio
V	Tensão
	Corrente contínua
	Marca de Conformidade Europeia

	Marca de Conformidade Britânica
	Marca de Conformidade Ucraniana
	Marca de Conformidade Eurasiática

TECHNISCHE GEGEVENS

	M18 BQSS
Type	vlakschuurmachine
Productienummer	4914 11 01 XXXXXX MJJJJ
Spanning wisselakku	18 V \approx
Onbelast toerental	11.000 - 13.000 min ⁻¹
Schuurcirkel - \varnothing	1,6 mm
Afmeting schuurzool	113 x 104 mm
Gewicht volgens de EPTA-procedure 01/2014 (Li-Ion 2,0 Ah ... 12,0 Ah)	1,66 ... 2,72 kg
Aanbevolen omgevingstemperatuur voor het bedrijf	-18 ... +50 °C
Aanbevolen accupacks	M18B...; M18HB...
Aanbevolen laadtoestellen	M12-18...; M1418C6

Geluidsinformatie: Meetwaarden vastgesteld volgens EN 62841. Het kenmerkende A-gewogen geluidsniveau van de machine bedraagt:

Geluidsdruk niveau / Onzekerheid K	78,28 dB (A) / 3 db (A)
Geluidsvermogen niveau / Onzekerheid K	89,28 dB (A) / 3 db (A)

Drag oorbeschermers!

Trillingsinformatie: Totale trillingswaarden (vectorsom van drie richtingebepaald volgens EN 62841).

Trillingsemisiewaarde a_{h1} / Onzekerheid K	5,23 m/s ² / 1,50 m/s ²
--	---

WAARSCHUWING!

De in dit informatieblad vermelde trillings- en geluidsniveaus zijn gemeten in overeenstemming met een standaard testmethode conform EN 62841 en kunnen worden gebruikt om gereedschap met elkaar te vergelijken. Deze kunnen ook worden gebruikt voor het vooraf evalueren van de blootstelling.

De vermelde trillings- en geluidsniveaus gelden voor de meest gebruikelijke toepassingen van het gereedschap. Wanneer het gereedschap echter voor andere doeleinden of met andere hulpstukken gebruikt wordt of niet naar behoren onderhouden wordt, kan de mate van blootstelling over de hele werkperiode aanzienlijk hoger uitvallen.

Voor een nauwkeurige inschatting van de blootstelling aan trillingen en geluid moet ook de tijd in aanmerking worden genomen die het apparaat uitgeschakeld is of weliswaar loopt, maar niet werkelijk in gebruik is. Dit kan de waarde van de mate aan blootstelling over de hele werkperiode aanzienlijk verminderen.

Bepaal extra veiligheidsmaatregelen ter bescherming van de gebruiker tegen de gevolgen van trillingen en/of geluid, bijvoorbeeld: onderhoud van het gereedschap en hulpstukken, warmhouden van de handen, organisatie van de werkprocessen.

WAARSCHUWING!

Lees en bekijk alle veiligheidsaanwijzingen, aanwijzingen, afbeeldingen en gegevens die u bij het apparaat ontvangt. Als u de volgende aanwijzingen niet in acht neemt, kunnen een elektrische schok, brand en/of ernstig letsel het gevolg zijn.

Bewaar alle waarschuwingen en voorschriften voor toekomstig gebruik.

VEILIGHEIDSLINSTRUCTIES VOOR SCHUURMACHINES

Zaagsel dat ontstaat door het schuren van coatings zoals polyurethaan, lijnzaadolie, enz. kan spontaan in de stofzak van de schuurmachine of ergens anders ontbranden en brand veroorzaken. Leeg de stofzak regelmatig (10-15 minuten) om het risico op brand te verlagen en laat een schuurmachine nooit achter zonder eerst de stofzak volledig te legen. Volg ook de aanbevelingen van de producent van de coatings.

VERDERE VEILIGHEIDS- EN WERKINSTRUCTIES

Niet aan de draaiende delen komen.

Spanen of splinters mogen bij draaiende machine niet worden verwijderd.

Draag veiligheidsuitrusting. Bij werkzaamheden met de machine dient u altijd een veiligheidsbril te dragen.

Stof die vrijkomt tijdens het werken vormt vaak een gevaar voor de gezondheid en mag niet met het lichaam in aanraking komen. Machines met stofafzuiging gebruiken en tevens geschikte stofmaskers dragen. Vrijgekomen stof grondig verwijderen resp. opzuigen.

Het is niet toegestaan, materialen te bewerken waarvan een gezondheidsgevaar uitgaat (bijv. asbest).

Machine onmiddellijk controleren als sterke trillingen optreden of andere gebreken worden vastgesteld. Controleer de machine om de oorzaak vast te stellen.

RESTERENDE GEVAREN

Ook als de machine volgens de voorschriften gebruikt wordt, kunnen niet alle risico's worden uitgesloten. Let bij het gebruik op de volgende gevaren:

- Door vibraties veroorzaakt letsel. Houd de machine vast aan de daarvoor bedoelde grepen en beperk de tijd die u met de machine werkt en waarin u aan de vibraties wordt blootgesteld.
- Lawaai kan leiden tot gehoorschade. Draag een gehoorbescherming en beperk de tijd waarin u aan het lawaai wordt blootgesteld.
- Door vuildeeltjes veroorzaakt oogletsel. Draag altijd een veiligheidsbril, nauwsluitende, lange broeken, handschoenen en vast schoeisel.
- Inademen van toxische stoffen.

OPMERKINGEN OVER LI-ION-ACCU'S**Gebruik van li-ion-accu's**

Langere tijd niet toegepaste wisselakku's vóór gebruik altijd naladen.

Een temperatuur boven de 50°C vermindert de capaciteit van de accu. Langdurige verwarming door zon of hitte vermijden. De aansluitcontacten aan het laadapparaat en de accu schoonhouden.

Voor een optimale levensduur moeten de accu's na het gebruik volledig opgeladen worden. Voor een zo lang mogelijke levensduur van de accu's dienen deze na het opladen uit het laadtoestel te worden verwijderd.

Bij een langere opslag van de accu dan 30 dagen:

- accu bij ca. 27 °C droog bewaren.
- accu bij ca. 30 % - 50 % van de laadtoestand bewaren.
- accu om de 6 maanden opnieuw opladen.

Overbelastingsbeveiliging voor li-ion-accu's

Bij overbelasting van de accu door zeer hoog stroomverbruik, bijv. extreem hoge draaimomenten, plotseling stoppen of kortsluiting, vibreert het elektrische gereedschap gedurende 5 seconden, de laadweergave knippert en het elektrische gereedschap schakelt automatisch uit.

Om het gereedschap weer in te schakelen, moet u de drukschakelaar loslaten en vervolgens weer inschakelen. Onder extreme belastingen wordt de accu te heet. In dit geval knipperen alle lampen van de laadweergave totdat de accu afgekoeld is. Na het doven van de laadweergave kunt u weer verder werken.

Transport van lithium-ionen-accu's

Lithium-ionen-accu's vallen onder de wettelijke bepalingen inzake het transport van gevaarlijke goederen.

Voor het transport van deze accu's moeten de lokale, nationale en internationale voorschriften en bepalingen in acht worden genomen.

Verbruikers mogen deze accu's zonder meer over de weg transporteren.

Het commerciële transport van lithium-ionen-accu's door expeditiebedrijven is onderhevig aan de bepalingen inzake het transport van gevaarlijke goederen. De verzendingsvoorbereidingen en het transport mogen uitsluitend worden uitgevoerd door dienovereenkomstig opgeleide personen. Het complete proces moet vakkundig worden begeleid.

Onderstaande punten moeten bij het transport van accu's in acht worden genomen:

Waarborg ter vermindering van kortsluitingen dat de contacten beschermd en geïsoleerd zijn.

Let op dat het accupack in de verpakking niet kan verschuiven. Beschadigde of lekkende accu's mogen niet worden getransporteerd. Neem voor meer informatie contact op met uw expeditiebedrijf.

ARBEIDSLINSTRUCTIES**Algemeen schuren met excentrische schuurmachines**

Bij het gebruik van excentrische schuurmachines moet met een aantal zaken rekening worden gehouden:

- Anders dan de meeste schuurmachines moeten excentrische schuurmachines op het te bewerken object worden geplaatst VOORDAT het apparaat wordt ingeschakeld. Als de schuurmachine wordt ingeschakeld voordat hij op het object staat, kan het vrij bewegende schuurvlak met een snelheid bewegen die krassen veroorzaakt als het uiteindelijk op het object wordt geplaatst.
 - Anders dan de meeste schuurmachines kunnen excentrische schuurmachines in alle mogelijke richtingen over het object worden verplaatst (in het geval van hout: ongeacht de houtnerf).
 - Het uitoefenen van druk op de schuurmachine beïnvloedt de draaisnelheid. Voor fijn werk wordt een lichte druk aanbevolen, voor zwaar werk een gemiddelde druk. Te veel druk zorgt ervoor dat het schuurvlak niet voldoende kan draaien.
 - Houd het schuurvlak recht op het te bewerken object. Het kantelen van de schuurmachine of het gebruik van de randen van het schuurvlak kan een oneven afwerking opleveren of de levensduur van het schuurvlak verlagen.
 - Beweeg de schuurmachine in brede, gelijkmatige bewegingen over het te bewerken object. Te lang op een bepaalde plek schuren kan leiden tot krassen en ongelijke resultaten.
 - Controleer het te bewerken object regelmatig. Excentrische schuurmachines werken op een agressievere manier dan gewone vlakschuurmachines.
1. Plaats de schuurmachine op het te bewerken object en schakel de schuurmachine in.
 2. Houd het schuurvlak plat op het te bewerken object, blijf de schuurmachine over het object bewegen en gebruik lange, veggende bewegingen.
 3. Begin te schuren met een schuurpapier met een grove korrel en gebruik daarna geleidelijk fijner en fijner schuurpapier totdat de gewenste afwerking is bereikt. Als de schuurmachine bijvoorbeeld op hout wordt gebruikt: begin met een korrel van 80, gevolgd door een korrel van 120, daarna 180 enzovoorts.

Verwijderen van lak of verf

1. Als u meerdere lagen verf of lak verwijderd, probeer dan zoveel mogelijk te verwijderen met een oplosmiddel of lakverwijderaar.
2. Schrap het overgebleven materiaal af met een plamuermes of ander schrapend gereedschap en laat het oppervlak afkoelen en opdrogen voordat u de schuurmachine gebruikt.
3. Selecteer een schuurpapier met een grove korrel zodat het schuurpapier niet dichtslibt.
4. Blijf de schuurmachine over nieuwe gebieden bewegen om verhitte en zacht worden van de oude coating (verf of lak) te voorkomen.
5. Werk in brede, overlappende bewegingen om een uniforme afwerking te bereiken.
6. Als het object door de oude coating heen zichtbaar begint te worden, schakelt u over naar een middelgroot schuurpapier om te voorkomen dat het oppervlak van het object bekrast wordt. Schakel geleidelijk over naar een schuurpapier met een fijnere korrel totdat u de gewenste afwerking hebt bereikt.

ONDERHOUD

Altijd de luchtspleten van de machine schoonhouden.

ONDERHOUD

Gebruik uitsluitend Milwaukee toebehoren en onderdelen. Indien componenten die moeten worden vervangen niet zijn beschreven, neem dan contact op met een officieel Milwaukee servicecentrum (zie onze lijst met servicecentra).

Onder vermelding van het nummer op het machineplaatje is desgewenst een doorsnedetekening van de machine verkrijgbaar bij: Techtronic Industries GmbH, Max-Eyth-Straße 10, 71364 Winnenden, Germany.

SYMBOLLEN

	Graag instructies zorgvuldig doorlezen vóórdat u de machine in gebruik neemt.
	OPGELET! WAARSCHUWING! GEVAAR!
	Voor alle werkzaamheden aan de apparat de akku verwijderen.
	Geen kracht uitoefenen.
	Bij het werken met de machine altijd een veiligheidsbril dragen.
	Draag derhalve een geschikt stofbeschermsmasker.
	Toebehoren - Wordt niet meegeleverd. Is apart leverbaar. Zie hiervoor het toebehorenprogramma.
	Afgedankte batterijen en afgedankte elektrische en elektronische apparatuur mogen niet samen via het huisafval worden afgevoerd. Afgedankte batterijen en afgedankte elektrische en elektronische apparatuur moeten gescheiden ingezameld en afgevoerd worden. Verwijder afgedankte batterijen, afgedankte accu's en verlichtingsmiddelen uit de apparatuur voordat u deze afvoert. Informeer bij uw gemeente of bij uw vakhandelaar naar recyclingbedrijven en inzamelpunten. Al naargelang de lokaal van toepassing zijnde voorschriften kunnen detailhandelaren verplicht zijn om afgedankte batterijen, afgedankte elektrische en elektronische apparatuur kosteloos terug te nemen. Geef uw afgedankte batterijen, afgedankte elektrische en elektronische apparatuur af voor recycling en help zo mee om de behoefte aan grondstoffen te verminderen. Afgedankte batterijen (vooral lithium-ion-batterijen), afgedankte elektrische en elektronische apparatuur bevatten waardevolle, recyclebare materialen die, mits ze niet milieuvriendelijk worden afgevoerd, negatieve gevolgen kunnen hebben voor het milieu en uw gezondheid. Verwijder persoonlijke gegevens van uw afgedankte apparatuur voordat u deze afvoert.
n_0	Onbelast toerental
V	Spanning
I	Gelijkstroom
	Europees symbool van overeenstemming
	Brits symbool van overeenstemming
	Oekraïens symbool van overeenstemming
001	



Euro-Aziatisch symbool van overeenstemming

TEKNISCHE DATA

Type	M18 BQSS
Produktionsnummer	Svingsliber
Udskiftningsbatteriets spænding	4914 11 01 XXXXXX MJJJJ
Omdrejningstal, ubelastet	18 V ==
Svingkreds-ø	11.000 - 13.000 min ⁻¹
Mål for slibblade	1,6 mm
Vægt svarer til EPTA-procedure 01/2014 (Li-Ion 2,0 Ah ... 12,0 Ah)	113 x 104 mm
Anbefalet omgivelsestemperatur til driften	1,66 ... 2,72 kg
Anbefalede batteripakker	-18 ... +50 °C
Anbefalede opladere	M18B...; M18HB...
	M12-18...; M1418C6
Støjinformation: Måleværdier beregnes iht. EN 62841. Værktøjets A-vurderede støjniveau er typisk:	
Lydtrykniveau / Usikkerhed K	78,28 dB (A) / 3 db (A)
Lydeffekt niveau / Usikkerhed K	89,28 dB (A) / 3 db (A)
Brug høreværn!	
Vibrationsinformation: Samlede vibrationsværdier (værdisum for tre retninger) beregnet iht. EN 62841.	
Vibrationseksponering a_{hv} / Usikkerhed K	5,23 m/s ² / 1,50 m/s ²

⚠ ADVARSEL!

Det vibrations- og støjmissionsniveau, der nævnes i dette oplysningsskema, er blevet målt i overensstemmelse med en standardiseret test fra EN 62841, og det kan bruges til at sammenligne ét værktøj med et andet. Det kan bruges til en foreløbig bedømmelse af eksponeringen. Det erklærede vibrations- og støjmissionsniveau repræsenterer værktøjets primære anvendelsesformål. Det er dog sådan, at hvis værktøjet bruges til andre formål, med forskelligt tilbehør eller dårlig vedligehold, så kan vibrations- og støjmissionen variere. Det kan evt. øge eksponeringsniveauet markant i løbet af det samlede arbejdstidsrum.

En vurdering af eksponeringsniveauet ift. vibration og støj bør også tage hensyn til de tidspunkter, hvor værktøjet er slukket eller hvor det kører, men rent faktisk ikke udfører jobbet. Det kan evt. mindske eksponeringsniveauet markant i løbet af det samlede arbejdstidsrum.

Identificér yderligere sikkerhedsforanstaltninger med henblik på at beskytte brugeren mod effekten af vibration og/eller støj, som fx: vedligehold værktøjet og tilbehøret, hold hænderne varme, organisering af arbejdsmønstre.

⚠ ADVARSEL! Læs alle sikkerhedsanvisninger, anvisninger, instruktioner og data, der følger med enheden. Overholder du ikke følgende instruktioner, kan du få elektrisk stød, der kan opstå brand og/eller du kan blive kvæstet alvorligt.

Opbevar alle advarselshenvisninger og instrukser til senere brug.

SIKKERHEDSANVISNINGER FOR SLIBEMASKINER

Indsamlet slibestøv fra coatede slibeflader som fx polyuretan, linolie etc. kan selvantændende i slibemaskinens støvpose eller andre steder og forårsage brand. For at mindske risikoen for brand, så tøm altid støvposen hyppigt (efter 10-15 minutter) under slibning, og opbevar eller efterlad aldrig en slibemaskine uden at tømme dens støvpose fuldstændigt. Følg også anbefalingerne fra producenterne af belægninger.

YDERLIGERE SIKKERHEDS- OG ARBEJDSINFORMATIONER

Pas på ikke at få hånden ind i maskinen.

Spåner eller splinter må ikke fjernes, medens maskinen kører.

Brug beskyttelsesudstyr. Bær altid sikkerhedsbriller, når du arbejder med maskinen.

Støv, som opstår i forbindelse med fræsearbejdet, er ofte sundhedsskadeligt og må ikke trænge ind i kroppen. Brug en støvsuger og bær egnet støvbeskyttelsesmaske. Fjern grundigt aflejret støv (f.eks. ved opugning).

Der må ikke bearbejdes nogen materialer, der kan udgøre en sundhedsrisiko (f.eks. asbest).

Sluk straks for værktøjet, hvis der opstår betydelige svingninger eller der konstateres andre mangler. Kontrollér værktøjet og find frem til årsagen.

Det arbejdsemne, som skal bearbejdes, fastspændes, medmindre det holdes på plads af arbejdsemnets egenvægt.

Metaldele må ikke trænge ind i ventilationsåbningerne, da dette kan føre til kortslutning

ADVARSEL! For at undgå risiko for brand, kvæstelser eller beskadigelse af produktet forårsaget af kortslutning må værktøjet, batteripakken eller opladeren ikke nedsænkes i vand. Sørg ligeledes for, at der ikke trænger væske ind i enhederne og batterierne. Korroderende eller ledende væsker, f.eks. saltvand, bestemte kemikalier, blegestoffer eller produkter, som indeholder blegestoffer, kan forårsage kortslutning.

Brug kun originale Milwaukee-slibe- og polereværktøjer med velcrolukning.

Udskiftningsbatterier og opladere må ikke åbnes og skal opbevares i tørre rum. Beskyt dem mod fugtighed.

Brug kun M18 ladeapparater for opladning af System M18 batterier.

TILTÆNKT FORMÅL

Slibemaskinen kan benyttes til slibning af træ, plastic, metal, spartelmasse og malede overflader.

Brug ikke produktet til andre formål, end de her beskrevne.

RESTRISICI

Selv ved korrekt brug kan alle restrisici ikke udelukkes. Brugen kan medføre følgende farer, som operatøren bør være særlig opmærksom på:

- Kvæstelser, som forårsages af vibration. Hold maskinen fast i de dertil beregnede greb og begræns arbejds- og ekspositionstiden.
- Støjbelastning kan medføre høreskader. Brug høreværn og begræns ekspositionstiden.
- Øjenskader på grund af snavspartikler. Brug altid beskyttelsesbriller, faste lange bukser, handsker og fast fodtøj.
- Indånding af giftigt støv.

BEMÆRKNINGER VEDRØRENDE LI-ION-BATTERIER

Brug af Li-ion-batterier

Udskiftningsbatterier, der ikke har været brugt i længere tid, efterlades inden brug.

Ved temperaturer over 50°C formindskes batteriets effekt. Undgå direkte sollys og stærk varme.

Tilslutningskontakterne på oplader og udskiftningsbatterier skal holdes rene.

For at opnå en optimal levetid skal de genopladelige batterier oplades fuldt efter brug.

For at sikre en så lang levetid som muligt skal batterierne tages ud af ladeaggregatet efter opladning.

Skal batterierne opbevares længere end 30 dage:

Temperatur ca. 27°C i tørre omgivelser.

Opbevares ved ca. 30%-50% af ladetilstanden.

Batteri skal genoplades hver 6. måned.

Overbelastningsbeskyttelse vedrørende Li-Ion-batterier

Overbelastes batteriet på grund af meget højt strømforbrug, f.eks. som følge af ekstremt høje drejningsmomenter, pludseligt stop eller kortslutning, vibrerer el-værktøjet i 5 sekunder, ladeindikatoren blinker, og el-værktøjet slukker af sig selv.

For at tænde igen slippes trykknappen, hvorefter du tænder el-værktøjet igen. Ved ekstreme belastninger bliver batteriet for varmt. I så fald blinker alle lamper på ladeindikatoren, indtil batteriet er kølet af. Når ladeindikatoren går ud, kan arbejdet genoptages.

Transport af lithium-batterier

Lithium-batterier er omfattet af lovgivningen om transport af farligt gods.

Transporten af disse batterier skal ske under overholdelse af lokale, nationale og internationale regler og bestemmelser.

Forbrugere må transportere disse batterier på veje uden yderligere krav.

Den kommercielle transport af lithium-batterier ved speditiønsfirmaer er omfattet af reglerne for transport af farligt gods. Forberedelsen af forsendelse og transport må kun udføres af tilsvarende trænedte personer. Den samlede proces skal følges af fagfolk.

Følgende punkter skal overholdes ved transport af batterier:

Sørg for at kontakterne er beskyttet og isoleret for at forhindre kortslutninger.

Sørg for at batteripakken ikke kan bevæge sig inden for emballagen. Beskadede eller lækken batterier må ikke transporteres. Kontakt dit speditiønsfirma for at få yderligere oplysninger.

ARBEJDSANVISNINGER

Generel slibning med excenterslibere

Når du bruger excenterslibere er der et par ting, du skal være opmærksom på:

- I modsætning til de fleste slibemaskiner bør excenterslibere placeres på arbejdsemnet **INDEN** værktøjet tændes. Hvis slibemaskinen er tændt inden den placeres på arbejdsemnet, kan den frit roterende pude rotere med en hastighed, som kan forårsage ridser, når den til sidst placeres på arbejdsemnet.
- I modsætning til de fleste slibemaskiner kan excenterslibere bevæges på tværs af arbejdsemnet i enhver retning (ved træ uafhængigt af træets årer).
- Når der benyttes forskelligt tryk på slibemaskinen, vil det påvirke dens rotationshastighed. Et let tryk anbefales til fint arbejde, mens et moderat tryk anbefales til grovere arbejde. Et for stort tryk giver ikke pudens mulighed for at rotere nok.
- Hold slibepuder fladt på arbejdsemnet. Hvis du vipper slibemaskinen eller bruger pudens kanter, kan det medføre en ujævn finish og forkorte pudens levetid.
- Hold slibemaskinen i gang med brede, ensartede strøg på tværs af arbejdsemnet. Hvis du sliber for længe på samme sted kan det medføre udhuling og ujævne resultater.
- Tjek arbejdsemnet jævnligt, excenterslibere arbejder mere aggressivt end almindelige orbitalslibere.

- Placer slibemaskinen på arbejdsemnet og tænd for slibemaskinen.
- Hold slibepuden fladt mod arbejdsemnet, bevæg slibemaskinen på tværs af arbejdsemnet og brug lange fejende strøg.
- Start slibningen med grovkornet sandpapir, og brug så efterhånden finere og finere sandpapir, indtil den ønskede finish er opnået. Hvis du fx bruger slibemaskinen på træ, så start med en kornstørrelse 80 efterfulgt af 120, så 180 og så videre.

Fjernelse af maling eller lak

- Når du fjerner flere lag maling eller lak, så fjern så meget som muligt med et opløsningsmiddel til maling eller en lakfjerner.
- Skrab resterne af med en spartel eller et andet skrabeværktøj, og lad overfladen køle af og tørre, inden du bruger slibemaskinen på arbejdsemnet.
- Vælg et grovkornet sandpapir, så du hjælper med at undgå, at sandpapiret tilstoppes.
- Hold slibemaskinen i gang, når du bevæger den hen over nye områder, så du undgår at overophede og blødgøre den gamle belægning (maling eller lak).
- Arbejd med brede, overlappende strøg, så du skaber en ensartet finish.
- Når arbejdsemnet begynder at kunne ses gennem den gamle belægning, så skift til middel groft sandpapir, så du undgår at ridse arbejdsemnets overflade. Skift gradvist til fint sandpapir, indtil du har opnået den ønskede finish.

RENGØRING

Hold altid maskinens ventilationsåbninger rene.

VEDLIGEHOLDELSE

Brug kun Milwaukee-tilbehør og Milwaukee-reservedele. Komponenter, hvor udskiftningsproceduren ikke er beskrevet, skal skiftes ud hos et Milwaukee-servicested (se brochure garanti/kundeserviceadresser).

Ved opgivelse af type nr. der er angivet på maskinens effektskilt, kan de rekvirere en reservedelstegning, ved henvendelse til: Techtronic Industries GmbH, Max-Eyth-Straße 10, 71364 Winnenden, Germany.

SYMBOLER

	Læs brugsanvisningen nøje før ibrugtagning.
	VIGTIGT! ADVARSEL! FARE!
	Ved arbejde inden i maskinen, bør batteriet tages ud.
	Brug ikke kraft.
	Når der arbejdes med maskinen, skal man have beskyttelsesbriller på.
	Benyt egnet åndedrætsværn.
	Tilbehør - Ikke inkluderet i leveringsomfanget, køb købes som tilbehør.



Udtjente batterier, affald af elektrisk og elektronisk udstyr må ikke bortskaffes sammen med husaffald. Udtjente batterier, affald af elektrisk og elektronisk udstyr skal indsamles og bortskaffes særskilt. Fjern udtjente batterier, udtjente akkumulatører og lysmidler fra udstyret, inden det bortskaffes. Spørg efter genbrugsstationer og indsamlingssteder hos de lokale myndigheder eller din fagforhandler. Alt efter de lokale bestemmelser kan detailhandlere være forpligtede til gratis at tage brugte batterier, affald af elektrisk og elektronisk udstyr tilbage. Bidrag til at nedbringe behovet for råmaterialer ved at genbruge og genanvende dine udtjente batterier, affald af elektrisk og elektronisk udstyr. Udtjente batterier (især lithium-ion-batterier), affald af elektrisk og elektronisk udstyr indeholder værdifulde, genanvendelige materialer, som kan have en negativ effekt på miljøet og dit helbred ved ikke miljørigtig bortskaffelse. Slet inden bortskaffelsen personrelaterede data, som måtte befinde sig på dit affald af udstyret.

	Omdrejningstal, ubelastet
	Spænding
	Jævnstrøm
	Europæisk konformitetsmærke
	Britisk konformitetsmærke
	Ukrainsk konformitetsmærke
	Eurasisk konformitetsmærke

TEKNISKE DATA		M18 BQSS	
Type	Sirkelnde slipeapparat		
Produksjonsnummer	4914 11 01 XXXXXX MJJJJ		
Spenning vekselbatteri	18 V \approx		
Tomgangsturtall	11.000 - 13.000 min ⁻¹		
Svingkrets-Ø	1,6 mm		
Mål, slipesåle	113 x 104 mm		
Vekt i henhold til EPTA-Prosedyren 01/2014 (Li-Ion 2,0 Ah ... 12,0 Ah)	1,66 ... 2,72 kg		
Anbefalt omgivelsestemperatur for drift	-18 ... +50 °C		
Anbefalte batteripakker	M18B...; M18HB...		
Anbefalte ladere	M12-18...; M1418C6		
Støyinformasjon: Måleverdier fastslått i samsvar med EN 62841. Det typiske A-bedømte støynivået for maskinen er:			
Lydtrykknivå / Usikkerhet K	78,28 dB (A) / 3 db (A)		
Lydeffektnivå / Usikkerhet K	89,28 dB (A) / 3 db (A)		
Bruk hørselsvern!			
Vibrasjonsinformasjoner: Totale svingningsverdier (vektorsum fra tre retninger) beregnet jf. EN 62841.			
Svingningsemissjonsverdi a _v / Usikkerhet K	5,23 m/s ² / 1,50 m/s ²		

ADVARSEL!

De angitte vibrasjonsponering- og støynivåverdiene har blitt målt i samsvar med standardiserte målemetoder jmfør EN 62841 og kan brukes til å sammenligne et verktøy med et annet. De kan brukes til en foreløpig eksponeringsvurdering.

De angitte vibrasjonsponering- og støyemisjonsverdiene gjelder for vanlig bruk av verktøyet. Dersom verktøyet blir brukt til noe annet, sammen med annet utstyr eller er dårlig vedlikeholdt kan de angitte vibrasjonsponering- og støyeverdiene variere. Dette kan øke eksponerings- og emisjonsverdiene betraktelig for hele perioden du bruker verktøyet.

Når en vurderer vibrasjonsponeringsnivået og støyeverdi må en inkludere den perioden som verktøyet er slått av eller når verktøyet går, men ikke direkte brukes til noe. Dette kan redusere eksponeringsnivået betraktelig over hele perioden som verktøyet er i bruk.

Det er viktig å etablere ytterligere sikkerhetstiltak for å beskytte brukeren mot påvirkning av vibrasjon og/eller støy, slik som: vedlikehold av verktøyet og tilleggsutstyr, hold hendene varme, organiserte arbeidsrutiner.

ADVARSEL! Les alle sikkerhetsanvisninger, instruksjer, bildeforklaringer og data som fulgte med maskinen. Hvis du ikke følger følgende anvisninger, kan det oppstå elektriske støt, ild og/eller store skader.

Ta godt vare på alle advarselene og informasjonene.

SIKKERHETSINSTRUKSJONER FOR SLIPEMASKINER

Oppsamlet slipestøv fra en overflate som er behandlet med f.eks. polyuretaner, linfrøolje o.l. kan være selvantennelig inni slipemaskinens støvsamler eller andre steder, og kan føre til brann. For å redusere brannfaren bør du tømme støvsamleren regelmessig (hvert 10 til 15 minutt) når du sliper. Du må aldri oppbevare eller forlate en slipemaskin uten å tømme støvsamleren fullstendig for støv først. Du bør også følge anbefalingene fra produsenten av overflatebehandlingen.

YTTERLIGE SIKKERHETS- OG ARBEIDSSINSTRUKSJONER

Ikke grip inn i fareområdet mens maskinen er i gang.

Spon eller fliser må ikke fjernes mens maskinen er i gang.

Bruk vernebekledning. Ta alltid på vernebrille ved bruk av maskinen.

Støv som oppstår under arbeidet er ofte helsefarlig og bør ikke komme inn i kroppen. Bruk støvsvug og i tillegg egne støvbeskyttelsesmaske. Fjern oppsamlet støv grundig, f.eks. oppsuging.

Materialer som er helsefarlig skal ikke bearbeides (f.eks.. asbest)

Slå straks av apparat når det oppstår store svingninger eller du fastslår andre mangler. Kontroller maskinen for å fastslå årsaken.

Det emnet som skal bearbeides må være fastspent, hvis det ikke blir holdt av sin egen vekt.

På grunn av kortslutningsfare må metalldeleer ikke komme inn i luftenåpningene.

ADVARSEL! For å unngå fare for en brann forårsaket av en kortslutning, av personskader eller skader av produktet, må det forhindres at batteripakken eller laderen dryppes i væsker og også sørges for at ingen væsker kan komme inn i apparatene eller batteriene. Korroderende og ledende væsker som saltvann, visse kjemikalier og blekemidler eller produkt som inneholder blekemidler kan forårsake en kortslutning.

Bruk bare originale Milwaukee slipe- og poleringsverktøy med selvklebende borrelås.

Ikke åpne vekselbatterier og ladere, de skal oppbevares i tørre rom. Beskyttes mot fuktighet.

Vekselbatterier av systemet M18 skal kun lades med lader av systemet M18.

FORMALSMESSIG BRUK

Båndsliperen kan brukes til å slippe treverk, plastikk, metall, fugemasser og malte overflater.

Ikke bruk produktet på annen måte enn det som er angitt for beregnet bruk.

RESTFARER

Også ved sakkyndig bruk kan ikke alle restrisikoer utelukkes. Ved bruk kan følgende farer oppstå og som bruker spesielt skulle ta hensyn til:

- Skader forårsaket av vibrasjon. Hold alltid apparatet i håntakene som er konstruert for dette og begrenns arbeids- og eksponeringstiden.
- Støy kan føre til hørselsskader. Bruk hørselsvern og begrenns eksponeringens varighet.
- Øyeskader forårsaket av smusspartikler. Bruk alltid vernebriller, solide langbukser, hansker og stødige sko.
- Innånding av giftig støv

INFORMASJON SOM GJELDER LI-ION BATTERIPAKKER

Bruk av Li-Ion batteripakker

Vekselbatterier som ikke er brukt over lengre tid skal etterlades før bruk.

En temperatur over 50°C reduserer vekselbatteriets kapasitet. Unngå oppvarming i sol eller ved varmeovner (fyring) i lengre tid. Hold tilkoplingskontaktene på lader og vekselbatteri rene.

For optimal holdbarhet må batteriene lades opp helt etter bruk. For å sikre en lengst mulig brukstid av batteriene skal disse etter oppladning taes ut av laderen.

Ved lagring av batteriene lengre enn 30 dager:

Lagre batteriet tørt ved ca. 27°C.

Lagre batteriet ved en oppladningsstilstand på ca. 30%-50%.

Lade opp batteriet igjen etter 6 måneder.

Overlastvern i Li-Ion batteripakker

Ved overbelastning av det oppladbare batteriet p.g.a. svært høyt strømförbruk; f.eks. ekstrem høye dreiemoment, plutselig stopp eller kortslutning, vibrert elektroverktøyet 5 sekunder, displayet for opplading blinker og elektroverktøyet utkobler seg automatisk.

For gjeninnkobling, slipp løs bryteren og slå så på igjen. Ved ekstreme belastninger opphører det oppladbare batteriet seg for sterkt. I slike tilfeller blinker alle lampene på displayet til batteriet er avkjølt. Når lampene har sluttet å blinke, kan man fortsette å arbeide.

Transport av Litium-Ion-Batterier

Litium-ion-batterier faller under de lovfastede forskriftene om transport av farlig gods.

Transporten av disse batteriene må rette seg etter lokale, nasjonale og internasjonale forskrifter og bestemmelser.

Forbruker har lov å transportere disse batteriene på gaten uten reglementering.

Den kommersielle transport av Litium-ion-batterier av spedisjonsfirma faller under bestemmelsene om transport av farlig gods. Forberedningene av forsendelsen og transport skal utelukkende gjennomføres av personer som har blitt skolert til dette. Hele prosessen skal følges opp av fagfolk.

Følgende punkter skal tas hensyn til ved transport:

Kontroller at kontaktene er beskyttet og isolert for å unngå kortslutninger.

Pass på at batteripakken i forpakningen ikke kan skli fram og tilbake. Skadede eller batterier som lekker er det ikke lov å transportere. Ta kontakt med spedisjonsfirma for ytterlige henvisninger.

ARBEIDSSINSTRUKSJONER

Generell sliping med eksentersliiper

Når du bruker eksentersliiperen, er det et par ting du må huske på:

- I motsetning til andre slipemaskiner, skal eksentersliiperen plasseres på slipeoverflaten FØR du starter den. Dersom du starter den før du setter den på overflaten, kan slipeplaten rotere i en hastighet som lager riper i overflaten og ødelegge emnet du arbeider på.
- I motsetning til de fleste andre slipemaskiner, kan eksentersliiperen bevegges i alle retninger (dette gjelder spesielt treverk, uansett i hvilken retning årene går).
- Dersom du bruker ulikt press på slipemaskinen vil dette påvirke rotasjons hastigheten. Det anbefales å bruke lett trykk for delikat slipearbeid, moderat trykk for grovt arbeid. For mye trykk vil forhindre at sliperondellen kan rotere nok.
- Hold sliperondellen flatt på slipeemne. Dersom du holder slipemaskinen på skrå eller bruker kantene på sliperondellen, vil dette lage en ujevn overflate og redusere rondellens levetid.
- Beveg slipemaskinen i brede, jevne strøk over hele slipeemnet. Dersom du holder slipemaskinen på et sted for lenge, kan dette lage furer og et ujevnt resultat.
- Kontroller emnet regelmessig. Eksentersliiperen arbeider mer aggressivt enn andre, enklere slipemaskiner.

1. Sett slipemaskinen på slipeemnet og skru den på.
2. Hold sandpapiret flatt på emnet, beveg slipemaskinen over hele arbeidsemnet i lange, strykende bevegelser.
3. Begynn med et grovt sandpapir og bytt til et finere og finere papir helt til resultatet er slik du ønsker. Når du for eksempel bruker slipemaskinen på treverk, start med sandpapir type 80, bytt til type 120, deretter 180 og så videre.

Fjerne maling eller lakk

1. Når du fjerner flere lag med maling eller lakk, fjern så mye maling som mulig først med malingsfjerner.
2. Skrap av restene med en sparkel eller et annet verktøy. Vent til overflaten er avkjølt og tørr før du bruker slipemaskinen på emnet.
3. Bruk et grovt sandpapir for å unngå at det tettes til.
4. Beveg til nye flater for å unngå at gammel lakk eller maling smelter eller mykner opp.
5. Brede overlappende strøk fører til et jevnt og homogent resultat.
6. Så snart du ser hull i den gamle malingen, bytter du til et finere sandpapir for å unngå og lage striper i emnets overflate. Bytt til et finere sandpapir helt til du har nådd ønsket resultat.

RENGJØRING

Hold alltid luftenåpningene på maskinen rene.

VEDLIKEHOLD

Bruk kun Milwaukee tilbehør og Milwaukee reservedeler. Komponenter der utskiftning ikke er beskrevet skal skiftes ut hos Milwaukee kundeservice (se brosjyre garanti/kundeserviceadresser).

Ved behov kan du be om en eksplosjonstegning av apparatet hos din kundeservice eller direkte hos Techtronic Industries GmbH, Max-Eyth-Straße 10, 71364 Winnenden, Germany. Oppgi maskintype og det nummeret på typeskiltet.

SYMBOLER

	Les nøye gjennom bruksanvisningen før maskinen tas i bruk.
	OBS! ADVARSEL! FARE!
	Ta ut vekselbatteriet før du arbeider på maskinen
	Ikke bruk kraft.
	Bruk alltid vernebrille når du arbeider med maskinen.
	Bruk derfor vernemaske som er egnet for støv.
	Tilbehør - inngår ikke i leveransen, anbefalt komplette- ring fra tilbehørsprogrammet.
	Elektrisk og elektronisk avfall skal ikke avfallshånd- teres sammen med husholdningsavfallet. Brukte batterier, elektrisk og elektronisk avfall skal samles kildesortert og avfallshåndteres. Fjern brukte batterier, akkumulatører og lysmidler fra apparatene før de kasseres. Be om informasjon hos de lokale myndighe- tene eller hos din fagforhandler om miljøstasjoner og samlesteder. Avhengig av de lokale bestemmelsene kan detaljhandlere være forpliktet til å ta tilbake brukte batterier, elektrisk og elektronisk avfall uten kostnader. Bidra til å redusere behovet for råmaterialer ved å sørge for gjenbruk og resirkulering av dine brukte bat- terier og ditt elektriske og elektroniske avfall. Brukte batterier (særlig litium-ion-batterier), elektrisk og elektronisk avfall inneholder verdifulle, gjenbrukbare materialer som ved ikke-miljøriktig avfallshåndtering kan ha negative konsekvenser for miljøet og din helse. Slett først eventuelle personrelaterede data fra det brukte apparatet før det avfallshåndteres.
n_0	Tomgangsturtall
V	Spenning
	Likestrøm
	Europeisk samsvarsmerke
	Britisk samsvarsmerke
	Ukrainsk samsvarsmerke
	Euroasiatisk samsvarsmerke

TEKNISKA DATA

	M18 BQSS
Typ	Planslip
Produktionsnummer	4914 11 01 XXXXXX MJJJJ
Batterispänning	18 V \equiv
Tomgångsvarvtal, obelastad	11.000 - 13.000 min ⁻¹
Svängningscirkel- \emptyset	1,6 mm
Slipplatta, storek	113 x 104 mm
Vikt enligt EPTA 01/2014 (Li-Ion 2,0 Ah ... 12,0 Ah)	1,66 ... 2,72 kg
Rekommenderad omgivningstemperatur för driften	-18 ... +50 °C
Rekommenderade batterier (Akkupacks)	M18B...; M18HB...
Rekommenderade laddare	M12-18...; M1418C6

Bullerinformation: Mätvärdena har tagits fram baserade på EN 62841.

A-värdet av maskinens ljudnivå utgör:

Ljudtrycksnivå / Onoggrannhet K

78,28 dB (A) / 3 db (A)

Ljudeffektsnivå / Onoggrannhet K

89,28 dB (A) / 3 db (A)

Använd hörselskydd!

Vibrationsinformation: Totala vibrationsvärden (vektorsumma ur tre riktningar)

framtaget enligt EN 62841.

Vibrationsemissionsvärde a_v / Onoggrannhet K

5,23 m/s² / 1,50 m/s²

VARNING!

De deklarerade vibrations- och bullernivåerna på detta informationsblad har uppmätts i enlighet med en standardiserad testmetod enligt EN 62841 och kan användas för att jämföra ett verktyg med ett annat. Det kan användas för en preliminär bedömning av exponeringen.

Den angivna vibrations- och bullernivån representerar verktygets huvudsakliga tillämpningar. Om verktyget emellertid används för olika tillämpningar, med olika eller dåligt underhållna tillbehör, kan vibrations- och bullerutsläppet variera. Detta kan öka exponeringsnivån avsevärt över den totala arbetsperioden.

En uppskattning av exponeringsnivån för vibrationer och buller bör även ta hänsyn till de tider då verktyget är avstängt eller när det körs utan att faktiskt arbeta. Detta kan avsevärt minska exponeringsnivån över den totala arbetsperioden.

Identifiera ytterligare säkerhetsåtgärder för att skydda operatören mot effekterna av vibrationer och/eller buller såsom: underhåll av verktyget och tillbehören, hålla händerna varma, organisation av arbetsmönster.

VARNING! Läs alla säkerhetsanvisningar, instruktioner, beskrivningar och uppgifter som du får tillsammans med apparaten. Om nedanstående anvisningar ignoreras finns risk för att elstöt, brand och/eller allvarliga personskador uppstår.

Förvara alla varningar och anvisningar för framtida bruk.

SÄKERHETSINSTRUKTIONER FÖR SLIPMASKINER

Uppsamlad slipdamm från slipytans beläggning (t.ex. bestående av polyuret, linolja osv.) kan självantändas i dammpåsen eller någon annanstans och orsaka brand. Minska brandrisken genom att tömma dammpåsen ofta (efter 10-15 minuter) under slipningen och förvara eller lämna aldrig slipmaskinen utan uppsikt utan att först tömma dammpåsen helt. Följ även rekommendationerna från slipbeläggningens tillverkare.

ÖVRIGA SÄKERHETS- OCH ANVÄNDNINGSSINSTRUKTIONER

Lakttag största försiktighet när maskinen är igång.

Avlägsna aldrig spån eller fiisor när maskinen är igång.

Använd skyddsutrustning. Använd alltid skyddsglasögon när du använder maskinen.

Dammet som uppkommer vid arbeten med denna maskin kan vara skadligt för hälsan om de når kroppen. Använd ett utslugningssystem och bär skyddsmask. Avlägsna kvarblivande damm med t.ex. en dammsugare.

Det är inte tillåtet att bearbeta material som kan vara hälsovadligt (t.ex. asbest).

Frånkoppla maskinen omedelbart om kraftiga vibrationer uppstår eller andra felfunktioner registreras. Kontrollera maskinen för lokalisering av orsak.

Spänn fast arbetsstycket om det inte ligger stadigt till följd av egen vikt.

OBS! Undvik att metalldelar hamnar i luftsliitsarna - risk för kortslutning!

VARNING! För att undvika den fara för brand, personskador eller produktskador som orsakas av en kortslutning, doppa inte ner verktyget, utbytesbatteriet eller laddaren i vätskor och se till att ingen vätska kan tränga in i apparaterna eller batterierna. Korroderande eller ledande vätskor, som saltvatten, vissa kemikalier, blekningsmedel eller produkter som innehåller blekmedel, kan orsaka en kortslutning.

Använd endast Milwaukee Slip- och polerverktyg med självhäftande kardborstslutning.

Batterier lagras torrt och skyddas för fukt.

System M18 batterier laddas endast i System M18 laddare.

ANVÄND MASKINEN ENLIGT ANVISNINGARNA

Slipmaskinen kan användas till att slipa trä, plast, metall, fyllmedel och målade ytor.

Använd inte produkten på något annat sätt än vad som anges som avsedd användning.

KVARSTÄENDE RISKER

Även vid föreskriftsenlig användning kan inte alla restrisker uteslutas. Vid användning kan följande faror, på vilka användaren måste vara särskilt uppmärksam:

- Personskador orsakade av vibration. Håll fast maskinen i de därför avsedda handtagen och begränsa arbets- och exponeringstiden.
- Bullerbelastning kan leda till hörselskador. Bär hörselskydd och begränsa exponeringstiden.
- Ögonskador orsakade av smutspartiklar. Använd alltid skyddsglasögon, stabila långbyxor, handskar och stabila skor.
- Inandning av giftigt damm.

ANVISNINGAR AVSEENDE LITIJUMJONBATTERIER

Användning av litiumjonbatterier

Batteri som ej använts på länge måste laddas före nytt bruk.

En temperatur över 50°C reducerar batteriets effekt. Undvik längre uppvärmning tex i solen eller nära ett element.

Se till att anslutningskontaktarna i laddaren och på batteriet är rena.

För att batterierna ska få lång livslängd ska de laddas fulla efter användning.

För att få en så lång livslängs som möjligt bör laddningsbara batterier avlägsnas från laddaren när de är laddade.

Om laddningsbara batterier lagras längre än 30 dagar:

Lagra batteriet torrt och vid ca 27°C.

Lagra batteriet vid ca 30%-50% av laddningskapaciteten.

Ladda batterierna på nytt var 6:e månad.

Batteri-överbelastningskydd för litiumjonbatterier

Om det laddningsbara batteriet överbelastas genom en mycket hög strömförbrukning, t.ex. extremt höga vridmoment, ett plötsligt stopp eller en kortslutning, så vibrerar elverktyget i 5 sekunder, laddningsindikeringen blinkar och elverktyget fränkopplas automaiskt.

För att sedan sätta på elverktyget igen släpper du tryckbrytaren och tillkopplar sedan verktyget igen. Vid en extrem belastning blir det laddningsbara batteriet för varmt. I detta fall blinkar alla lampor på laddningsindikeringen så länge tills batteriet har svalnat. När laddningsindikeringen har slocknat kan du fortsätta med arbetet.

Transportera litiumjon-batterier

För litiumjon-batterier gäller de lagliga föreskrifterna för transport av farligt gods på väg.

Därför får dessa batterier endast transporteras enligt gällande lokala, nationella och internationella föreskrifter och bestämmelser.

Konsumenter får transportera dessa batterier på allmän väg utan att behöva beakta särskilda föreskrifter.

För kommersiell transport av litiumjon-batterier genom en speditiönsfirma gäller emellertid bestämmelserna för transport av farligt gods på väg. Endast personal som känner till alla tillämpliga föreskrifter och bestämmelser får förbereda och genomföra transporten. Hela processen ska följas upp på fackmässigt sätt.

Följande ska beaktas i samband med transporten av batterier:

Säkerställ att alla kontakter är skyddade och isolerade för att undvika kortslutning.

Se till att batteripacken inte kan glida fram och tillbaka i förpackningen. Transportera aldrig batterier som läcker, har runnit ut eller är skadade. För mer information vänligen kontakta din speditiönsfirma.

ARBETSANVISNINGAR

Allmänt om slipning med excenterslipmaskiner

När man slipar med en excenterslipmaskin finns det ett par saker man bör tänka på:

- Till skillnad från de flesta andra slipmaskiner ska excenterslipmaskinen placeras på arbetsstycket INNAN verktyget startas. Om slipmaskinen startas innan den placeras på arbetsstycket, så kan den frilöpande slipplattan rotera med så hög hastighet att det blir repor när den sätts mot arbetsstycket.
- Till skillnad från de flesta andra slipmaskiner kan en excenterslipmaskin flyttas över arbetsstycket i vilken riktning som helst (fiberriktningen spelar t.ex. ingen roll när man slipar trä).
- När man trycker slipmaskinen olika hårt mot slipytan så påverkas rotationshastigheten. För finare arbeten rekommenderas ett lätt tryck och för grovre arbeten ett måttligt tryck. Om man trycker för hårt kan slipplattan inte rotera tillräckligt.
- Håll slipplattan plant mot arbetsstycket under slipningen. Om slipmaskinen lutar eller kanterna på slipplattan används kan ytan bli ojämn och slipplattans livslängd reduceras.
- Flytta hela tiden slipmaskinen med breda, jämna rörelser över arbetsstycket. Om man slipar för länge på samma ställe kan det leda till urgröpnings- och ojämna resultat.

- Kontrollera arbetsstycket ofta, eftersom excenterslipar arbetar mer aggressivt än vanliga roterande slipmaskiner.

- Placera slipmaskinen på arbetsstycket och starta slipmaskinen.
- Håll slippappret plant mot arbetsstycket, rör hela tiden slipmaskinen över arbetsstycket och arbeta med långa, svepande rörelser.
- Börja slipa med ett grovt sandpapper och byt sedan till finare och finare sandpapper tills önskad ytfinitet uppnås. Om du till exempel använder slipmaskinen på trä börjar du med korstorlek 80 och byter sedan till 120, sedan till 180 och så vidare.

Borttagning av målarfärg eller lack

- När flera lager målarfärg eller lack ska tas bort, ska man först ta bort så mycket som möjligt med färglösningsmedel eller lackborttagningsmedel.
- Skrapa bort resterna med en spackel eller någon annan skrapa och låt ytan svalna och torka innan slipmaskinen används på arbetsstycket.
- Välj ett sandpapper med grov korstorlek för att förhindra att sandpappret sätts igen.
- Flytta hela tiden slipmaskinen över nya områden så att den gamla ytbeläggningen (färgen eller lacken) inte hettas upp och mjuknar.
- Arbeta med breda och överlappande tag för att få en jämn yta.
- När arbetsstycket börjar synas igenom den gamla ytbeläggningen byter man till ett sandpapper med medelgrov korstorlek, så att ytan på arbetsstycket inte repas. Sedan byter man efter hand till ett fint sandpapper för att få den önskade ytfiniteten.

TVÄTTTRÅD

Se till att motorhöljets luftslitsar är rena.

SKÖTSEL

Använd endast Milwaukee-tillbehör och Milwaukee-reservdelar. Komponenter, för vilka inget byte beskrivs, skall bytas ut hos Milwaukee-kundtjänst (se broschyren garanti-/kundtjänstadresser).

Vid behov av sprängskiss, kan en sådan, genom att uppge maskinens art. nr. (som finns på typskylten) erhållas från: Techtronix Industries GmbH, Max-Eyth-Strasse 10, 71364 Winnenden, Germany.

SYMBOLER

	Läs instruktionen noga innan du startar maskinen.
	OBSERVERA! VARNING! FARA!
	Drag ur batteripaket innan arbete utföres på maskinen.
	Använd ingen kraft.
	Använd alltid skyddsglasögon.
	Bär därför lämplig skyddsmask.
	Tillbehör - Ingår ej i leveransomfånget, erhålles som tillbehör.



Förbrukade batterier och avfall som utgörs av eller innehåller elektrisk och elektronisk utrustning (WEEE) får inte slängas tillsammans med de vanliga hushållsoporna. Förbrukade batterier eller WEEE ska samlas och avfallshanteras separat. Ta ut förbrukade batterier, förbrukade ackumulatörer och ljuskällor ur produkterna innan de avfallshanteras. Kontakta den lokala myndigheten respektive kommunen eller fråga återförsäljare var det finns speciella avfallsstationer för elskrot. Beroende på de lokala bestämmelserna kan återförsäljare vara skyldiga att ta tillbaka förbrukade batterier eller WEEE gratis. Bidra till att minska behovet av råämnen genom återanvändning och återvinning av dina förbrukade batterier eller ditt WEEE. Förbrukade batterier (i synnerhet litiumjonbatterier) och WEEE innehåller värdefulla återvinningsbara material som kan skada miljön och din hälsa om de inte avfallshanteras på korrekt sätt. Tänk på att radera eventuella personuppgifter som kan finnas på din utrustning innan du lämnar den till avfallshanteringen.

n_0	Tomgångsvarvtal, obelastad
V	Spänning
	Likström
	Europeiskt konformitetsmärke
	Britiskt konformitetsmärke
	Ukrainskt konformitetsmärke
	Euroasiatiskt konformitetsmärke

TEKNISET ARVOT	M18 BQSS
Tyyppi	Tasohiomakone
Tuotantnumero	4914 11 01 XXXXXX MJJJJ
Jännite vaihtoakku	18 V \approx
Kuormittamaton kierrosliku	11.000 - 13.000 min ⁻¹
Värähtelyliikkeen- ϕ	1,6 mm
Hiomapyödyän mität	113 x 104 mm
Paino EPTA-menettelyn 01/2014 mukaan (Li-ion 2,0 Ah ... 12,0 Ah)	1,66 ... 2,72 kg
Suosittelun ympäristön lämpötila käytön aikana	-18 ... +50 °C
Suosittelut akkusarjat	M18B...; M18HB...
Suosittelut latauslaitteet	M12-18...; M1418C6
Melunpäästö tiedot: Mitta-arvot määritetty EN 62841 mukaan. Koneen tyyppillinen A-luokitettu melutaso:	
Melutaso / Epävarmuus K	78,28 dB (A) / 3 db (A)
Äänenvoimakkuus / Epävarmuus K	89,28 dB (A) / 3 db (A)
Käytä kuulosuojaimia!	
Tärinä tiedot: Värähtelyn yhteisarvot (kolmen suunnan vektorisummitattuna EN 62841 mukaan.	
Värähtelyemissioarvo a_{hv} / Epävarmuus K	5,23 m/s ² / 1,50 m/s ²

VAROITUS!

Tässä tiedotteessa ilmoitettu (ilmoitetut) tärinä- ja melunpäästöarvo(t) on mitattu standardisoidulla testimenetelmällä SFS-EN 62841 mukaisesti ja sitä voidaan käyttää työkalun vertailemiseen toisen työkalun kanssa. Sitä voidaan käyttää alustavaan alitustuksen arviointiin. Ilmoitettu tärinä- ja melunpäästöarvo koskee työkalun pääkäyttötarkoituksia. Jos kuitenkin työkalua käytetään eri käyttötarkoituksiin eri varusteiden kanssa tai huonosti huollettuna, voi tärinä- ja melunpäästö erota ilmoitetusta. Tämä voi merkittävästi nostaa alitustustasoa koko työskentelyjakson ajaksi.

Arvioidussa tärinä- ja meluallistustasossa tulisi ottaa huomioon myös työkalun sammutuskerrat tai sen tyhjäkäynti. Tämä voi merkittävästi laskea alitustustasoa koko työskentelyjakson ajaksi.

Tunnista esimerkiksi seuraavat lisävaroitimet, joilla voidaan suojata käyttäjää tärinän ja/tai melun vaikutuksilta: työkalun ja varusteiden ylläpito, käsien lämpimänä pito, työnkulun organisointi.

VAROITUS! Lue kaikki varoitoimenpiteet, ohjeet, kuvalliset esitykset ja tiedot, jotka toimitetaan laitteen mukana. Ellet noudata seuraavia ohjeita, saattaa se johtaa sähköiskuun, tulipaloon ja/tai vaikeisiin loukkaantumisiin.

Säilytä kaikki turvallisuus- ja muut ohjeet tulevaisuutta varten.

HIOMAKONEIDEN TURVALLISUUSOHJEET

Hiomapintojen pinnoitteista, kuten polyuretaanista, pellavansiemenöljystä jne., kertynyt hiomapyöly voi sytyä itsestään hiomakoneen pölypussissa tai muualla ja aiheuttaa tulipalon. Tulipaloriskin vähentämiseksi tyhjennä pölypussi aina säännöllisesti (10–15 minuutin välein) hiomisen aikana, äläkä koskaan säilytä tai jätä hiomakonetta ilman, että sen pölypussi on tyhjennetty kokonaan. Noudata myös pinnoitevalmistajien suosituksia.

TÄYDENTÄVIÄ TURVALLISUUSMÄÄRÄYKSIÄ JA TYÖSKENTELYOHJEITA

Älä tartu käynnistetyn laitteen työskentelyalueelle.

Lastuja tai puruja ei saa poistaa koneen käydessä.

Käytä suojavarusteita. Käytä aina suojalaseja käyttäessäsi konetta. Työstössä syntyvä pöly saattaa olla terveydelle vahingollista, joten sen koskettaminen tai hengittäminen tulisi välttää. Liitä kone kohdeimujärjestelmään ja käytä sopivaa pölysuojaa kasvoilla. Poista laskeutunut pöly huolellisesti esimerkiksi pölynimurilla.

Terveydellisiä vaaroja aiheuttavien materiaalien (esim. asbestin) työstäminen on kielletty.

Pysäytä laite välittömästi jos siinä esiintyy huomattavaa värähtelyä tai huomaa muuta puutetta. Tarkista kone vian aiheuttajan määritlemiseksi.

Työstettävä kappale on kiinnitettävä, ellei se omapainonsa vuoksi pysy paikallaan.

Älä päästä metalliesineitä tuuletusaukkoihin - oikosulkuvaara

VAROITUS! Jotta vältetään lyhytsulun aiheuttama tulipalon, loukkaantumisen tai tuotteen vahingoittumisen vaara, älä koskaan upota työkalua, vaihtoakkuja tai latauslaitetta nesteeseen ja huolehdi siitä, ettei mitään nesteitä pääse tunkeutumaan laitteiden tai akkujen sisään. Syövyttävät tai sähköä johtavat nesteet, kuten suolavesi, tietyt kemikaalit ja lalkaisuaineet tai valkaisuaineita sisältävät tuotteet voivat aiheuttaa lyhytsulun.

Käytä vain alkuperäisiä Milwaukee-hioma- ja kiillotuslaikkoja, joissa on itsekiinnittyvä takiaistarra.

Vaihtoakkuja ja latauslaitteita ei saa avata. Säilytys vain kuivissa tiloissa. Suojattava kosteudelta.

Käytä ainoastaan System M18 latauslaitetta System M18 akkujen lataukseen.

TARKOITUKSEN MUKAINEN KÄYTTÖ

Hiomakonetta voidaan käyttää puun, muovin, metallin, täyteaineen ja maalattujen pintojen hiomiseen.

Älä käytä tuotetta muuhun kuin sille tarkoitettuun käyttöön.

JÄÄMÄRISKIT

Kaikkia jäämäriskejä ei voida sulkea pois myöskään määräysten mukaisen käytön aikana. Käytössä saattaa syntyä seuraavia vaaroja, joita käyttäjän tulisi varoa erityisen huolella:

- Tärinän aiheuttamat vammat. Pitele laitetta tähän tarkoitettuista kahvoista ja rajoita työskentely- ja altistumisaikaa.
- Melurasitus saattaa aiheuttaa kuulovaurioita. Käytä kuulosuojaimia ja rajoita altistumisen kesto.
- Likahiukkasten aiheuttamat silmävammat. Käytä aina suojalaseja, tukevia pitkälahkeisia housuja, käsineitä ja tukevia jalkineita.
- Myrkyllisten pölyjen sisäänhengittäminen.

LI-IONI AKKUIEN OHJEITA

Li-ioniakkujen käyttö

Pitkään käyttämättä olleet vaihtoakut on ladattava ennen käyttöä.

Yli 50°C lämpötilassa akun suorituskyky heikkenee. Välttähän akkujen säilyttämistä auringossa tai kuumissa tiloissa. Pidä aina latauslaitteen ja akun kosketuspinnat puhtaina.

Optimaalisen käyttöajan saavuttamiseksi akut on ladattava täyteen käytön jälkeen. Mahdollisimman pitkän elinajan takaamiseksi akut tulee poistaa latauslaitteen lataamisen jälkeen.

Akkuja yli 30 päivää säilytettyinä: Säilytä akku yli 27 °C:ssa ja kuivassa. Säilytä akku sen latauksen ollessa 30 % - 50 %. Lataa akku 6 kuukauden välein uudelleen.

Li-ioniakkujen ylilataussuojaukset

Jos akku ylikuormittuu erittäin suuren virrankulutuksen takia, esim. erittäin voimakkaiden vääntömomenttien, äkillisen pysähtymisen tai oikosulun vuoksi, niin sähkötyökalu tärisee 5 sekunnin ajan, latausnäyttö vilkkuu ja sähkötyökalu sammuu omatoimisesti.

Käynnistä laite uudelleen päästämällä katkaisinpainikkeen irti ja käynnistämällä laitteen sitten uudelleen. Erittäin suuressa kuormituksessa akku kuumenee liikaa. Tässä tapauksessa latausnäyttö kaikki lamput vilkkuvat, kunnes akku on jäähtynyt. Kun latausnäyttö on sammunut, voi työtä jatkaa.

Litiumi-ioniakkujen kuljettaminen

Litiumi-ioniakut kuuluvat vaarallisten aineiden kuljetuksesta annettujen lakien piiriin.

Näiden akkujen kuljettaminen täytyy suorittaa noudattaen paikallisia, kansallisia ja kansainvälisiä määräyksiä ja säädöksiä.

Kuluttajat saavat ilman muuta kuljettaa näitä akkuja teitä pitkin.

Kaupallisessa kuljetuksessa huolintaliikkeiden täytyy kuljettaa litiumi-ioniakkuja vaarallisten aineiden kuljetuksesta annettujen määräysten mukaisesti. Ainoastaan tähän vastaavasti koulutetut henkilöt saavat suorittaa kuljetuksen valmistelutoimet ja itse kuljetuksen. Koko prosessia tulee valvoa asiantuntijavasti.

Seuraavat kohdat tulee huomioida akkuja kuljetettaessa:

Varmista, että akkujen kontaktit on suojattu ja eristetty, jotta vältetään lyhytsulut.

Huolehdi siitä, ettei akkusarja voi luiskahtaa paikaltaan pakkauksen sisällä. Vahingoittuneita tai vuotavia akkuja ei saa kuljettaa. Pyydä tarkemmat tiedot huolintaliikkeeltäsi.

TYÖSKENTELYOHJEITA

Yleinen hiominen epäkeskohiomakoneilla

Epäkeskohiomakoneita käytettäessä on huomioitava joitakin asioita:

- Toisin kuin useimmat hiomakoneet, epäkeskohiomakoneet on asetettava työkalun päälle ENNEN työkalun käynnistämistä. Jos hiomakone käynnistetään ennen työkalun päälle asettamista, ilmassa oleva hiomatyyny voi pyöriä nopeudella, joka voi aiheuttaa naarmuja, kun se asetetaan työkalun päälle.
- Toisin kuin useimmat hiomakoneet, epäkeskohiomakoneita voidaan liikuttaa työkalun päällä mihin tahansa suuntaan (jos kyseessä on puu, syiden suunnasta huolimatta).
- Hiomakoneeseen kohdistuvan paineen vaihtelu vaikuttaa sen pyörimisnopeuteen. Hiennon työhön suositellaan kevyttä painetta ja karkeaan työhön kohtuullista painetta. Liiallinen paine estää tyynyä pyörimästä riittävästi.
- Pidä hiomatyyny tasaisesti työkalun vasten. Hiomakoneen kallistaminen tai tyynyn reunojen käyttäminen voi tuottaa epätasaisen lopputuloksen ja lyhentää tyynyn käyttöikää.
- Liikuta hiomakonetta koko ajan laajoin ja tasaisin vedoin työkalun päällä. Yhden kohdan hiominen liian pitkään voi aiheuttaa uria ja epätasaisia tuloksia.
- Tarkista työkalun säännöllisesti, sillä epäkeskohiomakoneet toimivat tehokkaammin kuin tavalliset tasohiomakoneet.

1. Aseta hiomakone työkalun päälle ja kytke hiomakone päälle.

2. Pidä hioma-arkki tasaisesti työkalun vasten ja liikuta hiomakonetta koko ajan työkalun päällä pitkin ja pyyhkiivin vedoin.

3. Aloita hiominen karkealla hiomapaperilla ja vaihda asteittain hienompaa hiomapaperiä, kunnes haluttu lopputulos on saavutettu. Kun hiomakoneella hiotaan esimerkiksi puuta, aloita karkeudella 80 ja siirry karkeuteen 120, sitten karkeuteen 180 ja niin edelleen.

Maalin tai lakan poistaminen

1. Kun poistat useaa maali- tai lakkakerrosta, poista mahdollisimman suuri osa liuotteella tai lakanpoistoaineella.
2. Kaavi jäämät pois teräslastalla tai muulla kaavintyökalulla ja anna pinnan jäähtyä ja kuivua ennen kuin käytät hiomakonetta työkalun päälle.
3. Valitse karkea hiomapaperiarkki, jotta hiomapaperi ei tukkeudu.
4. Liikuta hiomakonetta koko ajan uusilla alueilla kuumenemisen ja vanhan pinnoitteen (maali tai lakka) pehmenemisen välttämiseksi.
5. Työskentele laajoin ja limittäisin vedoin yhtenäisen lopputuloksen saavuttamiseksi.
6. Kun työkalun vanha pinnoite alkaa näkyä läpi, vaihda keskikarkeaan hiomapaperiä, jotta työkalun pinta ei naarmuunnu. Vaihda asteittain hienompaa hiomapaperiä, kunnes haluttu lopputulos on saavutettu.

PUHDISTUS

Pidä moottorin ilmanottoaukot puhtaina.

HUOLTO

Käytä ainoastaan Milwaukee lisätarvikkeita ja Milwaukee varaosia. Mikäli jokin komponentti, jota ei ole kuvailtu, tarvitsee vaihtoa ota yhteys johonkin Milwaukee palvelupisteistä (kts. listamme takuuhuoltoilikkeiden/ palvelupisteiden osoitteista)

Tarpeen vaatiessa voit pyytää lähettämään laitteen kokoonpanopirustuksen ilmoittamalla arvokilven numeron seuraavasta osoitteesta: Techtronic Industries GmbH, Max-Eyth-Straße 10, 71364 Winnenden, Germany.

SYMBOLIT

	Lue käyttöohjeet huolellisesti, ennen koneen käynnistämistä.
	HUOMIO! VAROITUS! VAARA!
	Ota akku pois ennen kaikkia koneeseen tehtäviä toimenpiteitä.
	Älä käytä väkivoimaa.
	Käytä laitteella työskennellessäsi aina suojalaseja.
	Koneella työskennellessä on käytettävä sopivaa suojainta.
	Lisälaite - Ei sisälly vakiovarustukseen, saatavana lisätervikkeenä.
	Älä hävitä käytettyjä paristoja, sähkö- ja elektroniikkaromua lajittelemattomana yhdyskuntajätteenä. Käytetyt paristot sekä sähkö- ja elektroniikkaromu on kerättävä erikseen. Käytetyt paristot, romuakut ja valonlähteet on irrotettava laitteista. Kysy paikallisilta viranomaisilta tai jälleenmyyjiltä neuvoa kierrättämiseen ja tietoa keräyspisteestä. Paikalliset säännökset saattavat velvoittaa vähittäiskauppiaat ottamaan käytetyt paristot, sähkö- ja elektroniikkaromun takaisin maksutta. Panoksesi käytettyjen paristojen sekä sähkö- ja elektroniikkalaiteromun uudelleenkäytössä ja kierrätyksessä auttaa vähentämään raaka-aineiden kysyntää. Käytetyt paristot, etenkin litiumia sisältävät, sekä sähkö- ja elektroniikkaromu sisältävät arvokkaita, kierrätettäviä materiaaleja, jotka saattavat vaikuttaa haitallisesti ympäristöön ja ihmisten terveyteen, jos niitä ei hävitetä ympäristöstävällisesti. Poista mahdolliset henkilökohtaiset tiedot hävitettävästä laitteesta.
	n_0 Kuormittamaton kierros/luku
	V Jännite
	Tasavirta
	Euroopan säännönmukaisuusmerkki
	Britannian säännönmukaisuusmerkki
	Ukrainan säännönmukaisuusmerkki
	Euraasian säännönmukaisuusmerkki

ΤΕΧΝΙΚΑ ΣΤΟΙΧΕΙΑ	M18 BQSS
Κατασκευαστικό είδος	Παλμικό τριβείο
Αριθμός παραγωγής	4914 11 01 XXXXXX MJJJJ
Τάση ανταλλακτικής μπαταρίας	18 V \equiv
Αριθμός στροφών χωρίς φορτίο	11.000 - 13.000 min ⁻¹
Διάμετρος κύκλου δόνησης	1,6 mm
Διάσταση πλάκας λείανσης	113 x 104 mm
Βάρος σύμφωνα με τη διαδικασία EPTA 01/2014 (Li-Ion 2,0 Ah ... 12,0 Ah)	1,66 ... 2,72 kg
Συνιστώμενη θερμοκρασία περιβάλλοντος για τη λειτουργία	-18 ... +50 °C
Συνιστώμενη δέσμη συσσωρευτών	M18B...; M18HB...
Συνιστώμενη συσκευή φόρτισης	M12-18...; M1418C6
Πληροφορίες θορύβου: Τιμές μέτρησης εξακριβωμένες κατά EN 62841. Η σύμφωνη με την καμπύλη A εκτιμηθείσα στάθμη θορύβου του μηχανήματος αναφέρεται σε:	
Στάθμη ηχητικής πίεσης / Ανασφάλεια K	78,28 dB (A) / 3 db (A)
Στάθμη ηχητικής ισχύος / Ανασφάλεια K	89,28 dB (A) / 3 dB (A)
Φοράτε προστασία ακοής (ωασιπίδες)!	
Πληροφορίες δόνησεων: Υλικές τιμές κραδασμών (άθροισμα διανυσμάτων τριών διευθύνσεων) εξακριβώθηκαν σύμφωνα με τα πρότυπα EN 62841.	
Τιμή εκπομπής δόνησεων a_h / Ανασφάλεια K	5,23 m/s ² / 1,50 m/s ²

ΠΡΟΕΙΔΟΠΟΙΗΣΗ!

Το αναφερόμενο στο παρόν φυλλάδιο επίπεδο τιμών δόνησης και εκπομπής θορύβου έχει μετρηθεί σύμφωνα με μια τυπική μέθοδο δοκιμών κατά το πρότυπο EN 62841 και μπορεί να χρησιμοποιηθεί για τη σύγκριση εργαλείων μεταξύ τους. Μπορεί να χρησιμοποιηθεί για μια προκαταρκτική αξιολόγηση της έκθεσης.

Οι αναφερόμενες τιμές επιπέδων δόνησης και εκπομπής θορύβου αντιστοιχούν στις βασικές εφαρμογές του εργαλείου. Στην περίπτωση χρήσης του εργαλείου σε διαφορετικές εφαρμογές, με διαφορετικά εξαρτήματα ή ανεπαρκή συντήρηση, τα επίπεδα δόνησης και εκπομπών θορύβου ενδέχεται να διαφέρουν. Αυτό μπορεί να έχει ως συνέπεια μία σημαντική αύξηση των επιπέδων έκθεσης καθόλη τη διάρκεια εκτέλεσης των εργασιών.

Για μία εκτίμηση των επιπέδων έκθεσης σε δόνηση και θόρυβο πρέπει να συνηγορούνται οι χρόνοι απενεργοποίησης του εργαλείου ή αυτοί κατά τους οποίους παραμένει ενεργό χωρίς να εκτελείται κάποια εργασία. Αυτό μπορεί να μειώσει σημαντικά τα επίπεδα έκθεσης καθόλη τη διάρκεια εκτέλεσης των εργασιών.

Ορίστε πρόσθετα μέτρα προστασίας του χειριστή από την έκθεση στη δόνηση ή/και στον θόρυβο όπως: συντήρηση του εργαλείου και των παρελκόμενων εξαρτημάτων, διατήρηση θερμότητας των χεριών, οργάνωση μοτίβων εργασίας.

ΠΡΟΕΙΔΟΠΟΙΗΣΗ! Διαβάστε όλες τις υποδείξεις ασφαλείας, τις οδηγίες, τις εικόνες και τα δεδομένα, τα οποία θα λάβετε μαζί με το μηχανήμα. Η μη τήρηση των οδηγιών που ακολουθούν, μπορεί να οδηγήσει σε ηλεκτροπληξία, φωτιά και/ή σε σοβαρούς τραυματισμούς.

Φυλάξτε όλες τις προειδοποιητικές υποδείξεις και οδηγίες για κάθε μελλοντική χρήση.

ΟΔΗΓΙΕΣ ΑΣΦΑΛΕΙΑΣ ΓΙΑ ΤΡΙΒΕΙΑ

Η σκόνη λείανσης που συλλέγεται από τις επικαλύψεις των επιφανειών λείανσης, όπως πολυουρεθάνης, λινέλαιου κ.λπ., μπορεί να αυταναφλεγεί μέσα στον σάκο συλλογής σκόνης του τριβείου ή αλλού και να προκαλέσει πυρκαγιά. Για να μειώσετε τον κίνδυνο πυρκαγιάς, αδειάζετε πάντα τον σάκο συλλογής σκόνης ανά τακτικά χρονικά διαστήματα (10-15 λεπτά) κατά τη διάρκεια της λείανσης και μην αποθηκεύετε ή εγκαταλείπετε ποτέ ένα τριβείο χωρίς να αδειάσετε πλήρως τον σάκο συλλογής σκόνης. Επίσης ακολουθείτε τις συστάσεις των κατασκευαστών των υλικών επικάλυψης.

ΠΕΡΑΙΤΕΡΩ ΟΔΗΓΙΕΣ ΑΣΦΑΛΕΙΑΣ ΚΑΙ ΧΡΗΣΕΩΣ

Μην απλώνετε τα χέρια σας στην επικίνδυνη περιοχή της μηχανής όταν είναι σε λειτουργία.

Τα γρέζια ή οι σκλήθρες δεν επιτρέπεται να απομακρύνονται όσο η μηχανή βρίσκεται σε λειτουργία.

Χρησιμοποιείτε προστατευτικό εξοπλισμό. Κατά την εργασία με τη μηχανή φοράτε πάντα προστατευτικά γυαλιά.

Η δημιουργούμενη κατά την εργασία σκόνη είναι συχνά επιβλαβής για την υγεία και δεν πρέπει να έρχεται σε επαφή με το σώμα. Χρησιμοποιείτε μια διάταξη αναρρόφησης της σκόνης και φοράτε επιπλέον μια κατάλληλη προσωπικά προστασίας από τη σκόνη. Απομακρύνετε επιμελώς τη μαζεμένη σκόνη, π.χ. με αναρρόφηση.

Μην επεξεργάζεστε επικίνδυνα για την υγεία υλικά (π.χ. αμιάντος).

Θέστε τη συσκευή αμέσως εκτός λειτουργίας όταν παρουσιαστούν σημαντικοί κραδασμοί ή διαπιστωθούν άλλα ελαττώματα. Ελέγξτε τη μηχανή, για να διαπιστώσετε την αιτία.

Το προς επεξεργασία κομμάτι πρέπει να σφιχτεί καλά, όταν δεν μπορεί να κρατηθεί με το ίδιο του το βάρος.

Λόγω του κινδύνου βραχυκυκλώματος δεν επιτρέπεται να μπαίνουν μεταλλικά αντικείμενα στις σχισμές εξερισμού.

ΠΡΟΕΙΔΟΠΟΙΗΣΗ! Για να αποτρέπεται τον κίνδυνο πυρκαγιάς λόγω βραχυκυκλώματος, τραυματισμούς ή ζημιές του προϊόντος, να μη βυθίζετε το εργαλείο, τον ανταλλακτικό συσσωρευτή ή τη συσκευή φόρτισης σε υγρά και να φροντίζετε, ώστε να μη διεισδύουν υγρά στις συσκευές και τους συσσωρευτές. Διαβρωτικές ή αγώγιμες υγρές ουσίες, όπως αλατόνερο, ορισμένες χημικές ουσίες και λευκαντικά ή προϊόντα που περιέχουν λευκαντικά, μπορεί να προκαλέσουν βραχυκύκλωμα.

Χρησιμοποιείτε μόνο τα αυθεντικά εργαλεία λείανσης και στίλβωσης της Milwaukee με αυτοκόλλητη ζώνη.

Μην ανοίγετε τις ανταλλακτικές μπαταρίες και τους φορτιστές και χρησιμοποιείτε για αποθήκευση μόνο στεγνούς χώρους.

Προστατεύετε τις ανταλλακτικές μπαταρίες και τους φορτιστές από την υγρασία.

Φορτίζετε τις ανταλλακτικές μπαταρίες του συστήματος M18 μόνο με φορτιστές του συστήματος M18.

ΧΡΗΣΗ ΣΥΜΦΩΝΑ ΜΕ ΤΟ ΣΚΟΠΟ ΠΡΟΟΡΙΣΜΟΥ

Το τριβείο μπορεί να χρησιμοποιηθεί για τη λείανση ξύλου, πλαστικού, μετάλλων, στόκου και βαμμένων επιφανειών.

Μη χρησιμοποιείτε το προϊόν με οποιονδήποτε άλλο τρόπο από αυτούς που δηλώνονται για την προβλεπόμενη χρήση.

ΛΟΙΠΟΙ ΚΙΝΔΥΝΟΙ

Ακόμη και σε κανονική χρήση δεν μπορούν να αποκλείονται όλοι οι υπολειπόμενοι κίνδυνοι. Κατά τη χρήση θα μπορούσαν να προκύψουν οι ακόλουθοι κίνδυνοι, στους οποίους θα έπρεπε να δίνει ο χειριστής ιδιαίτερη προσοχή:

- Τραυματισμοί που προκύπτουν από δονήσεις. Να κρατάτε το μηχάνημα από τις προβλεπόμενες για το σκοπό αυτό χειρολαβές και να περιορίζετε το χρόνο εργασίας και έκθεσης.
- Η ηχορρύπανση μπορεί να οδηγήσει σε ακουστικά τραύματα. Να φοράτε προστατευτικά ακούς και να περιορίζετε τη διάρκεια έκθεσης.
- Τραυματισμοί των οφθαλμών που προκύπτουν από ρυπαρόνα σωματίδια. Να φοράτε πάντα προστατευτικά γυαλιά, ανθεκτικά, μακριά παντελόνια, γάντια και ανθεκτικά υποδήματα.
- Εισπνοή δηλητηριώδους σκόνης.

ΥΠΟΔΕΙΞΕΙΣ ΓΙΑ ΕΠΑΝΑΦΟΡΤΙΖΟΜΕΝΕΣ ΜΠΑΤΑΡΙΕΣ ΙΟΝΤΩΝ ΛΙΘΙΟΥ

Χρήση επαναφορτιζόμενων μπαταριών ιόντων λιθίου

Επαναφορτίζετε τις ανταλλακτικές μπαταρίες που δεν έχουν χρησιμοποιηθεί για μεγαλύτερο χρονικό διάστημα πριν τη χρήση.

Μια θερμοκρασία πάνω από 50°C μειώνει την ισχύ της ανταλλακτικής μπαταρίας. Αποφεύγετε τη θέρμανση για μεγαλύτερο χρονικό διάστημα από τον ήλιο ή τις συσκευές θέρμανσης. Διατηρείτε τις επαφές σύνδεσης στο φορτιστή και στην ανταλλακτική μπαταρία καθαρές.

Για μια άριστη διάρκεια ζωής πρέπει μετά τη χρήση οι μπαταρίες να φορτιστούν πλήρως.

Για μια κατά το δυνατόν μεγάλη διάρκεια ζωής οι μπαταρίες μετά τη φόρτιση οφείλουν να αφαιρεθούν από το φορτιστή.

Για την αποθήκευση της μπαταρίας για διάστημα μεγαλύτερο των 30 ημερών:

Αποθηκεύετε τη μπαταρία περ. στους 27°C σε στεγνό χώρο.

Αποθηκεύετε τη μπαταρία περ. στο 30%-50% της κατάστασης φόρτισης.

Κάθε 6 μήνες φορτίζετε εκ νέου τη μπαταρία.

Προστασία υπερφόρτισης επαναφορτιζόμενων μπαταριών ιόντων λιθίου

Σε υπερφόρτωση της μπαταρίας από πολύ υψηλή κατανάλωση ρεύματος, π. χ. από ακραίες υψηλές ροπές περιστροφής, μπλοκάρισμα του τροπανιού, δονείται το ηλεκτρικό εργαλείο για 5 δευτερόλεπτα, αναβοσβήνει η ένδειξη φόρτισης και το ηλεκτρικό εργαλείο απενεργοποιείται αυτόματα.

Για μια νέα ενεργοποίηση, αφήνετε ελεύθερο το διακόπτη και στη συνέχεια ενεργοποιείτε εκ νέου. Κάτω από ακραίες καταπονήσεις θερμαίνεται πάρα πολύ η μπαταρία. Στην περίπτωση αυτή αναβοσβήνουν όλες οι λάμπες της ένδειξης φόρτισης μέχρι να έχει κρυώσει η μπαταρία. Μετά το σβήσιμο της ένδειξης φόρτισης μπορεί να συνεχιστεί η συνεργασία.

Μεταφορά των μπαταριών ιόντων λιθίου

Οι μπαταρίες ιόντων λιθίου υπόκεινται στις απαιτήσεις των νομικών διατάξεων για την μεταφορά επικινδύνων εμπορευμάτων.

Η μεταφορά τέτοιων μπαταριών πρέπει να πραγματοποιείται τριώντων τους τοπικούς, εθνικούς και διεθνείς κανονισμούς και τις αντίστοιχες διατάξεις.

Επιτρέπεται η μεταφορά τέτοιων μπαταριών στο δρόμο χωρίς περαιτέρω απαιτήσεις.

Η εμπορική μεταφορά μπαταριών ιόντων λιθίου από εταιρείες μεταφορών υπόκειται στις απαιτήσεις των νομικών διατάξεων για την μεταφορά επικινδύνων εμπορευμάτων. Οι προετοιμασίες αποστολής και η μεταφορά πραγματοποιούνται αποκλειστικά από ειδικά εκπαιδευμένα πρόσωπα. Η συνολική διαδικασία συνοδεύεται από εξειδικευμένο προσωπικό.

Κατά τη μεταφορά μπαταριών ιόντων λιθίου πρέπει να προσέχετε τα εξής:

Φροντίστε τα σημεία επαφών να είναι προστατευμένα και μονωμένα ώστε να αποφευχθούν βραχυκυκλώματα.

Προσέξτε το πακέτο μπαταριών να είναι σταθερό μέσα στη συσκευασία και να μη γλιστρά. Η μεταφορά μπαταριών που παρουσιάζουν φθορές ή διαρροές δεν επιτρέπεται. Για περισσότερες πληροφορίες απευθυνθείτε στην εταιρεία μετάφορων.

ΥΠΟΔΕΙΞΕΙΣ ΕΡΓΑΣΙΑΣ

Γενική λείανση με έκκεντρα τριβεία

Όταν χρησιμοποιείτε έκκεντρα τριβεία, πρέπει να έχετε υπόψη μερικά σημεία:

- Σε αντίθεση με τα περισσότερα τριβεία, τα έκκεντρα τριβεία θα πρέπει να τοποθετούνται επάνω στο τεμάχιο προς επεξεργασία PIN ΑΠΟ την ενεργοποίηση του εργαλείου. Εάν το τριβείο ενεργοποιηθεί πριν από την τοποθέτησή του επάνω στο τεμάχιο προς επεξεργασία, η ελεύθερα περιστρεφόμενη βάση μπορεί να περιστρέφεται με τέτοια ταχύτητα που να γδάρει το τεμάχιο προς επεξεργασία μόλις έρθει σε επαφή μαζί του.
- Αντίθετα με τα περισσότερα τριβεία, τα έκκεντρα τριβεία μπορούν να κινούνται επάνω στο τεμάχιο προς επεξεργασία ακολουθώντας οποιαδήποτε κατεύθυνση (στην περίπτωση του ξύλου, αγνοώντας τη φορά των νών).
- Η μεταβαλλόμενη πίεση στο τριβείο θα επηρεάσει την ταχύτητα περιστροφής του. Για λεπτές εργασίες συνιστάται μια μικρή πίεση, ενώ για τη λείανση άγριων επιφανειών συνιστάται μια μέτρια πίεση. Η υπερβολική πίεση δεν επιτρέπει την περιστροφή της βάσης.
- Κρατάτε τη βάση του τριβείου επίπεδα επάνω στο τεμάχιο προς επεξεργασία. Η θέση του τριβείου υπό κλίση ή η λείανση με την ακμή της βάσης μπορεί να προκαλέσει ανομοιόμορφο αποτέλεσμα και να μειώσει τη διάρκεια ζωής της βάσης.
- Διατηρείτε το τριβείο σε κίνηση, διαγράφοντας πλατιές ομοιόμορφες κινήσεις κατά μήκος του τεμαχίου προς επεξεργασία. Η επίμονη λείανση ενός σημείου για παρατεταμένο διάστημα μπορεί να προκαλέσει γούβα στην επιφάνεια και ανομοιόμορφα αποτελέσματα.
- Ελέγχετε το τεμάχιο προς επεξεργασία τακτικά, γιατί τα έκκεντρα τριβεία λειαίνουν περισσότερο επιθετικά από τα περιστροφικά τριβεία.

1. Τοποθετήστε το τριβείο επάνω στο τεμάχιο προς επεξεργασία και ενεργοποιήστε το τριβείο.
2. Κρατήστε το γυαλόχαρτο επίπεδα επάνω στο τεμάχιο προς επεξεργασία, διατηρήστε το τριβείο σε κίνηση σε όλο το τεμάχιο προς επεξεργασία διαγράφοντας μακριές, σαρωτικές κινήσεις.
3. Ξεκινήστε τη λείανση με ένα γυαλόχαρτο άγριας κόκκωσης και βαθμιαία χρησιμοποιήστε γυαλόχαρτα με όλο και λεπτότερη κόκκωση, μέχρι να επιτευχθεί το επιθυμητό αποτέλεσμα. Για παράδειγμα, όταν χρησιμοποιείτε το τριβείο σε ξύλο, ξεκινάτε με κόκκωση αρ. 80, συνεχίζετε με κόκκωση αρ. 120, μετά με κόκκωση αρ. 180 κ.λπ.

Αφαίρεση βαφής ή βερνικιού

1. Όταν αφαιρείτε πολλά στρώματα βαφής ή βερνικιού, αφαιρέστε όσο το δυνατόν περισσότερη βαφή ή βερνικί με ένα διαλυτικό χρωμάτων ή ένα υλικό αποβερνικίωσης.
2. Ξύστε τα υπολείμματα με μια σπάτουλα ή ένα άλλο εργαλείο απόξεσης και αφήστε την επιφάνεια να κρυώσει και να στεγνώσει, προτού επεξεργαστείτε το τεμάχιο προς επεξεργασία με το τριβείο.
3. Επιλέξτε ένα γυαλόχαρτο με άγρια κόκκωση για να αποτρέψετε τη στόμωση του γυαλόχαρτου.
4. Διατηρήστε το τριβείο σε κίνηση μετακινώντας το σε νέες περιοχές για να αποφύγετε τη θέρμανση και το λιώσιμο της παλιάς επικάλυψης (βαφής ή βερνικιού).
5. Εργαστείτε διαγράφοντας πλατιές, αλληλεπικαλυπτόμενες κινήσεις για να παράγετε ένα ομοιόμορφο αποτέλεσμα.
6. Καθώς αρχίζει να εμφανίζεται η επιφάνεια του τεμαχίου επεξεργασίας κάτω από την παλιά επικάλυψη, χρησιμοποιήστε ένα φύλλο μεσαίας κόκκωσης για να αποφύγετε το γδάρισμα της επιφάνειας του τεμαχίου προς επεξεργασία. Βαθμιαία χρησιμοποιήστε γυαλόχαρτα με λεπτότερη κόκκωση μέχρι να επιτύχετε το επιθυμητό αποτέλεσμα.

ΣΥΝΤΗΡΗΣΗ ΚΑΙ ΚΑΘΑΡΙΣΜΟΣ









Διατηρείτε πάντοτε τις σχισμές εξαιρισμού της μηχανής καθαρές.

ΣΥΝΤΗΡΗΣΗ

Χρησιμοποιείτε μόνο αξεσουάρ Milwaukee και ανταλλακτικά Milwaukee. Εξαρτήματα, που η αλλαγή τους δεν περιγράφεται, αντικαθιστώνται σε μια τεχνική υποστήριξη της Milwaukee (βλέπε φυλλάδιο εγγύηση/ διευθύνσεις τεχνικής υποστήριξης).

Όταν χρειάζεται, μπορείτε να ζητήσετε ένα σχέδιο συναρμολόγησης της συσκευής, δίνοντας τον τύπο της μηχανής και αριθμό στην πινακίδα ισχύος, από το κέντρο σέρβις ή απευθείας από τη φίρμα Techtronic Industries GmbH, Max-Eyth-Strasse 10, 71364 Winnenden, Germany.

ΣΥΜΒΟΛΑ

	Παρακαλώ διαβάστε σχολαστικά τις οδηγίες χρήσης πριν από την έναρξη λειτουργίας.
	ΠΡΟΣΟΧΗ! ΠΡΟΕΙΔΟΠΟΙΗΣΗ! ΚΙΝΔΥΝΟΣ!
	Πριν από κάθε εργασία στη μηχανή αφαιρείτε την ανταλλακτική μπαταρία.
	Μην βάζετε δύναμη.
	Στις εργασίες με τη μηχανή φοράτε πάντοτε προστατευτικά γυαλιά.
	Να φοράτε κατάλληλη μάσκα προστασίας από σκόνη.
	Εξαρτήματα - Δεν περιλαμβάνονται στα υλικά παράδοσης, συνιστούμεν προσθήκη από το πρόγραμμα εξαρτημάτων.
	Απόβλητα ηλεκτρικών στηλών και ηλεκτρικού και ηλεκτρονικού εξοπλισμού δεν επιτρέπεται να απορρίπτονται μαζί με τα οικιακά απορρίμματα. Απόβλητα ηλεκτρικών στηλών και ηλεκτρικού και ηλεκτρονικού εξοπλισμού πρέπει να συλλέγονται και να απορρίπτονται ξεχωριστά. Πριν την απόρριψη να αφαιρείτε ηλεκτρικές στήλες, συσσωρευτές και λαμπτήρες από τον εξοπλισμό. Ενημερωθείτε από τις τοπικές υπηρεσίες ή από ειδικευμένους εμπόρους σχετικά με κέντρα ανακύκλωσης και συλλογής απορριμμάτων. Ανάλογα με τους τοπικούς κανονισμούς μπορεί να είναι οι έμποροι λιανικής πώλησης υποχρεωμένοι, να παίρνουν πίσω απόβλητα ηλεκτρικών στηλών και ηλεκτρικού και ηλεκτρονικού εξοπλισμού δωρεάν. Συμβάλλετε κι εσείς μέσω επαναχρησιμοποίησης και ανακύκλωσης των αποβλήτων των ηλεκτρικών στηλών, και του ηλεκτρικού και ηλεκτρονικού εξοπλισμού σας στη μείωση της ζήτησης πρώτων υλών. Απόβλητα ηλεκτρικών στηλών (προπαντός ηλεκτρικών στηλών ιόντων λιθίου) και ηλεκτρικού και ηλεκτρονικού εξοπλισμού περιέχουν πολύτιμες, επαναχρησιμοποιήσιμες ύλες που μπορεί να βλάπτουν το περιβάλλον και την υγεία σας κατά τη μη περιβαλλοντικά ορθή διάθεσή τους. Πριν την απόρριψη να διαγράφετε δεδομένα προσωπικού χαρακτήρα που πιθανόν να υπάρχουν στα απόβλητα του εξοπλισμού σας.

	Αριθμός στροφών χωρίς φορτίο
	Τάση
	Συνεχές ρεύμα
	Ευρωπαϊκό σήμα πιστότητας
	Βρετανικό σήμα πιστότητας
	Βρετανικό σήμα πιστότητας
	Βρετανικό σήμα πιστότητας
	Βρετανικό σήμα πιστότητας
	Βρετανικό σήμα πιστότητας
	Βρετανικό σήμα πιστότητας
	Βρετανικό σήμα πιστότητας

TEKNİK VERİLER	M18 BQSS
Modeli	Salınımlı zımpara makinesi
Üretim numarası	4914 11 01 XXXXXX MJJJJ
Kartuş akü gerilimi	18 V \approx
Boştaki devir sayısı	11.000 - 13.000 min ⁻¹
Titreşim çapı-ı	1,6 mm
Zımpara levhası ölçüleri	113 x 104 mm
Ağırlığı ise EPTA-üretici 01/2014'e göre (Li-Ion 2,0 Ah ... 12,0 Ah)	1,66 ... 2,72 kg
Çalıştırılması için tavsiye edilen ortam sıcaklığı	-18 ... +50 °C
Tavsiye edilen güç paketleri	M18B...; M18HB...
Tavsiye edilen şarj aletleri	M12-18...; M1418C6
Gürültü bilgileri: Ölçüm değerleri EN 62841 e göre belirlenmektedir. Aletin, frekansa bağımlı uluslararası ses basıncı seviyesi değerlendirme eğrisi A'ya göre tipik gürültü seviyesi:	
Ses basıncı seviyesi / Tolerans K	78,28 dB (A) / 3 db (A)
Akustik kapasite seviyesi / Tolerans K	89,28 dB (A) / 3 db (A)
Koruyucu kulaklık kullanın!	
Vibrasyon bilgileri: Toplam titreşim değeri (üç yönün vektör toplamı) EN 62841'e göre belirlenmektedir:	
titreşim emisyon değeri a _h / Tolerans K	5,23 m/s ² / 1,50 m/s ²

UYARI!

Bu bilgi formunda belirtilen titreşim ve gürültü düzeyi EN 62841 uyarınca standart bir test yöntemine göre ölçülmüş olup, bir aleti diğerleriyle karşılaştırmak için kullanılabilir. Bir maruz kalma ön değerlendirmesi için de kullanılabilir.

Beyan edilmiş titreşim ve gürültü emisyon değeri aletin ana uygulamalarını temsil eder. Ancak, alet farklı uygulamalar için veya farklı aksesuarla kullanılır ya da aletin bakımı yetersiz yapılırsa, titreşim ve gürültü emisyonu farklılık gösterebilir. Bu, toplam çalışma süresi boyunca maruz kalma seviyesini önemli ölçüde artırabilir.

Titreşim ve gürültüye maruz kalma seviyesi tahmininde, aletin kapalı olduğu veya çalıştığı, ancak aslında işini yapmadığı süreler de göz önünde bulundurulmalıdır. Bu, toplam çalışma süresi boyunca maruz kalma seviyesini önemli ölçüde azaltabilir.

Operatörü titreşim ve/veya gürültünün etkilerinden korumak için, aletin ve aksesuarların bakımını yapmak, elleri sıcak tutmak ve çalışma biçimlerini düzenlemek gibi ilave güvenlik önlemleri belirleyin.

UYARI!

Cihazla birlikte gelen tüm güvenlik uyarılarını, talimatları, çizimleri ve bilgileri okuyun. Aşağıdaki talimat hükümlerine uymadığınız takdirde elektrik çarpması, yangın veya ağır yaralanma tehlikesi ile karşılaşabilirsiniz.

Bütün uyarıları ve talimat hükümlerini ileride kullanmak üzere saklayın.

ZIMPARA MAKİNELERİ İÇİN GÜVENLİK TALİMATLARI

Poliüretan, bezir yağı vb. yüzey kaplamaları zımparalanırken toplanan zımpara tozu, zımpara makinesinin toz torbasında ya da başka bir yerde kendine alev alarak yangına neden olabilir. Yangın riskini azaltmak için zımparalama sırasında daima toz torbasını sık sık (10-15 dakikada bir) boşaltın ve zımpara makinesini asla toz torbasını tamamen boşaltmadan bırakmayın. Ayrıca, kaplama üreticilerinin tavsiyelerine uyun.

EK GÜVENLİK VE ÇALIŞMA TALİMATLARI

Aletin tehlikeli olabilecek bölümlerini tutmayın.

Alet çalışır durumda iken talaş ve kırıpıntılar temizlemeye çalışmayın.

Koruma teçhizatı kullanın. Makinada çalışırken devamlı surette koruyucu gözlük takın.

Tahtalar uzun süre işlenirken veya sağlığa zararlı toz çıkaran malzemeler profesyonel olarak işlenirken alet uygun bir toz emme donanımına bağlanmak zorundadır. Profesyonel kullanıcılar diğer malzemelere ilişkin hükümleri yetkili meslek kuruluşu ile açıklığı kavuşturmak zorundadır.

Sağlık tehlikelerine neden olan malzemelerin işlenmesi yasaktır (örn. asbest).

Hissedilir ölçüde titreşim oluşmaya başlarsa veya normal olmayan başka aksaklıklar ortaya çıkarsa aleti hemen kapatın. Bu aksaklıkların nedenini belirlemek için aleti kontrol edin.

Kendi ağırlığı ile güvenli biçimde durmuyorsa iş parçasının uygun bir tertibatla sıkıca tespit edilmesi gerekir.

Kısa devre tehlikesi ortaya çıkacağından metal parçaların havalandırma aralıklarına girmemesi gerekir.

UYARI! Bir kısa devreden kaynaklanan yangın, yaralanma veya ürün hasarları tehlikesini önlemek için aleti, güç paketini veya şarj cihazını asla sıvıların içine daldırmayınız ve cihazların ve pillerin içine sıvı girmesini önleyiniz. Tuzlu su, belirli kimyasallar, aşartıcı madde veya aşartıcı madde içeren ürünler gibi korozif veya iletken sıvılar kısa devreye neden olabilir.

Sadece, pıtrak tutturmalı orijinal Milwaukee zımpara ve polisaj uçlarını kullanın.

Kartuş aküleri ve şarj cihazını açmayın ve sadece kuru yerlerde saklayın. Neme ve ıslanmaya karşı koruyun.

M18 sistemli kartuş aküleri sadece M18 sistemli şarj cihazları ile şarj edin.

KULLANIM

Zımpara; ahşap, plastik, metal, astar boyalı ve boyanmış yüzeyleri zımparalamak için kullanılabilir.

Aleti belirtilen kullanım amaçları dışında herhangi bir başka amaç için kullanmayın.

KALAN TEHLİKELER

Usulüne uygun kullanım durumunda da bütün kalan riskler ortadan kaldırılamaz. Kullanım sırasında, kullanıcının özellikle dikkat etmesi gerektiği aşağıdaki tehlikeler oluşabilir:

- Titreşimden dolayı oluşan yaralanmalar. Cihazı bunun için öngörülen kulplardan tutun ve çalışma ve maruz kalam sürelerini sınırlandırın.
- Gürültü yükü işitme zararlarına neden olabilir. Kulaklık takın ve maruz kalma süresini sınırlandırın.
- Kir parçacıklarından dolayı oluşan göz yaralanmaları. Daima koruyucu gözlük, sağlam uzun pantolon, eldiven ve sağlama ayakkabılar giyiniz.
- Zehirli tozların solunması.

LİTYUM İYON PİLLER İÇİN AÇIKLAMALAR

Lityum iyon pillerin kullanılması

Uzun süre kullanılmı dışı kalmış kartuş aküleri kullanmadan önce şarj edin.

50°C üzerindeki sıcaklıklar kartuş akünün performansını düşürür. Akünün güneş ışığı veya mekân sıcaklığı altında uzun süre ısınmamasına dikkat edin. Şarj cihazı ve kartuş aküdeki bağlantı kontaklarını temiz tutun.

Akünün ömrünün mükemmel bir şekilde uzun olması için kullandıktan sonra tamamen doldurulması gerekir. Ömrünün mümkün olduğu kadar uzun olması için akülerin yüklemeye yapıldıktan sonra dolurma cihazından uzaklaştırılması gerekir.

Akünün 30 günden daha fazla depolanması halinde: Aküyü takriben 27°C'de kuru olarak depolayın. Aküyü yüklemeye durumunun takriben % 30 - %50 olarak depolayın. Aküyü her 6 ay yeniden doldurun.

Lityum iyon pillerin aşırı pil şarj koruması

Pek fazla elektrik tüketiminden dolayı, örneğin aşırı fazla devir momentleri, aniden durma veya kısa devre gibi aküye aşırı yüklenme durumunda elektro cihazı 5 saniye titreşir, yüklemeye göstergesi yanıp söner ve elektro cihaz kendiliğinden durur.

Yeniden çalıştırmak için şalter baskısını serbest bırakın ve bundan sonra tekrar çalıştırın. Akü aşırı yüklenmeden dolayı fazla ısınır. Bu durumda akü soğuyana kadar yüklemeye göstergesinin bütün lambaları yanıp söner. Gösterge lambalarının sönmelerinden sonra tekrar çalışmaya devam edilebilir.

Lityum iyon pillerin taşınması

Lityum iyon piller tehlikeli madde taşımacılığı hakkındaki yasal hükümler tabidir.

Bu piller, bölgesel, ulusal ve uluslararası yönetmeliklere ve hükümlere uyularak taşınmak zorundadır.

Tüketiciler bu pilleri herhangi bir özel şart aranmaksızın karayoluyla taşıyabilirler.

Lityum iyon pillerin nakliye şirketleri tarafından ticari taşımacılığı için tehlikeli madde taşımacılığının hükümleri geçerlidir. Sevk hazırlığı ve taşıma sadece ilgili eğitimi görmüş personel tarafından gerçekleştirilebilir. Bütün süreç uzmanca bir refakatçilik altında gerçekleştirilmek zorundadır.

Pillerin taşınması sırasında aşağıdaki hususlara dikkat edilmesi gerekmektedir:

Kısa devre oluşmasını önlemek için kontakların korunmuş ve izole edilmiş olmasını sağlayınız.

Pil paketinin ambalajı içinde kaymamasına dikkat ediniz. Hasarlı veya akmış pillerin taşınması yasaktır. Ayrıca bilgiler için nakliye şirketinize başvurunuz.

ÇALIŞMA AÇIKLAMALARI

Rastgele Yörüngeli Zımpara Makineleri ile Genel Zımparalama

Rastgele yörüngeli zımpara makinesi kullanırken birkaç konuya dikkat edilmelidir:

- Çoğu zımpara makinesinin aksine rastgele yörüngeli zımparalar, çalışılacak parçanın üzerine aleti çalıştırmadan ÖNCE yerleştirilmelidir. Zımpara, çalışılacak parçanın üzerine yerleştirilmeden önce çalıştırılırsa boşta salınan taban, parçanın üstüne konurken çizimlere neden olacak bir hızda çalışabilir.
- Rastgele yörüngeli zımpara makineleri, çoğu zımparanın aksine, çalışılan parçanın üzerinde istenen yönde hareket ettirilebilir (ahşap üstünde çalışılıyorsa, pürüzlerin yönünden bağımsız).
- Zımparaya uygulanan basıncın değişmesi, zımparanın dönme hızını etkiler. İnce işler için hafif bir basınç, kaba işler için orta düzeyde bir basınç önerilir. Fazla basınç uygulanması, tabanın yeteri kadar dönmemesine neden olur.
- Zımparalama tabanının, çalışılan parçanın üstünde düz halde durmasına dikkat edin. Zımpara makinesini ödemek ya da tabanın kenarlarını kullanmak, yüzeyin eşit olmasına yol açabilir ve tabanın ömrünü kısaltır.

• Zımparayı çalışılan parçanın üzerinde, geniş ve eşit hareketlerle kullanın. Bir noktayı uzun süre boyunca zımparalamak, o noktanın oyuk olmasına ve eşit olmayan bir yüzeye yol açabilir.

• Çalışılan parçayı sık sık kontrol edin; rastgele yörüngeli zımpara makineleri, basit yörüngeli zımpara makinelerinden daha sert çalışır.

1. Zımpara makinesini çalışılacak parçanın üstüne yerleştirin ve zımpara makinesini çalıştırın.
2. Zımpara sacını çalışılan parça üzerinde düz tutun; zımpara makinesini parça üzerinde uzun ve süpüren hamlelerle sürekli hareket ettirin.
3. Zımparalamaya kalın kumlu zımparayla başlayın; istenen sonuca ulaşana kadar kademeli olarak daha ince kumlu zımparalara geçin. Örneğin, zımpara makinesini ahşap üzerinde kullanırken 80 kumla başlayın; ardından önce 120 kumla, sonra 180 kumla devam edin.

Boya ya da Vernik Giderme

1. Birden fazla boya veya vernik katmanı giderirken mümkün olduğunca fazla kısmını boya çözücü ya da vernik çıkarıcı ile giderin.
2. Kalan boya veya verniği, spatula ya da başka bir kazıma aletiyle kazıyın. Çalışılacak parçaya zımpara uygulamadan önce yüzeyin soğumasını ve kurumasını bekleyin.
3. Zımparanın tıkanmasını önlemek için kalın kumlu bir zımpara seçin.
4. Eski kaplamanın (boya ya da vernik) ısınmasını ve yumuşamasını önlemek için zımpara makinesini sürekli yeni alanlara doğru hareket ettirin.
5. Bitmiş yüzeyin eşit olması için geniş ve üst üste gelen hareketlerle çalışın.
6. Eski kaplamanın altından çalışılan parça görünmeye başlayınca, parçanın yüzeyini çizmemek için orta kumlu bir zımparaya geçin. İstenen bitmiş yüzeye ulaşana kadar kademeli olarak daha ince kumlu zımparalara geçin.

TEMİZLENMESİ

Aletin havalandırma aralıklarını daima temiz tutun.

BAKIM

Sadece Milwaukee aksesuarı ve yedek parçası kullanın. Nasıl değiştirileceği açıklanmamış olan yapı parçalarını bir Milwaukee müşteri servisinde değiştirin (Garanti ve servis adresi broşürüne dikkat edin).

Gerektiği takdirde aletin dağınık görünüş şeması, alet tipinin ve tip etiketi üzerindeki sayının bildirilmesi koşuluyla müşteri servisinden veya doğrudan Techtronic Industries GmbH, Max-Ëyth-Straße 10, 71364 Winnenden, Germany adresinden istenebilir.

	Lütfen aleti çalıştırmadan önce kullanma kılavuzunu dikkatli biçimde okuyun.
	DİKKAT! UYARI! TEHLİKE!
	Aletin kendinde bir çalışma yapmadan önce kartuş aküyü çıkarın.
	Güç kullanmayın.
	Aletle çalışırken daima koruyucu gözlük kullanın.
	Uygun bir koruyucu toz maskesi kullanın
	Aksesuar - Teslimat kapsamında değildir, önerilen tamamlamalar aksesuar programında.
	Atık pillerin, atık elektrikli ve elektronik eşyaların evsel atıklarla birlikte bertaraf edilmesi yasaktır. Atık piller, atık elektrikli ve elektronik eşyalar ayrılarak biriktirilmeli ve bertaraf edilmelidir. Bertaraf etmeden önce cihazların içindeki atık pilleri, atık akümülatörleri ve lambaları çıkartınız. Yerel makamlara veya satıcınıza geri dönüşüm tesisleri ve atık toplama merkezlerinin yerlerini danışınız. Yerel yönetmeliklere göre perakende satıcılar atık pilleri, atık elektrikli ve elektronik eşyaları ücret talep etmeden geri almak zorunda olabirler. Atık pillerinizi, atık elektrikli ve elektronik eşyalarınızı tekrar kullanarak ve geri dönüşüme verecek ham madde gereksiniminin az tutulmasına katkıda bulununuz. Atık piller (özellikle lityum iyon piller), atık elektrikli ve elektronik eşyalar, çevreye uygun şekilde bertaraf edilmediklerinde çevre ve sağlığınız üzerinde olumsuz etkilere neden olabir degerli, tekrar kullanılabilir malzemeler içerirler. Bertaraf etmeden önce atık eşyanız içinde mevcut olabir şahsınızla ilgili bilgileri siliniz.
n_0	Boştaki devir sayısı
V	Voltaj
	Doğru akım
	Avrupa uyumluluk işareti
	Britanya uyumluluk işareti
	Ukrayna uyumluluk işareti
	Avrasya uyumluluk işareti

	M18 BQSS
Typ	vibrační bruska
Výrobní číslo	4914 11 01 XXXXXX MJJJJ
Napětí výměnného akumulátoru	18 V =
Volnoběžné otáčky	11.000 - 13.000 min ⁻¹
Průměr excentricity	1,6 mm
Rozměry brusné patky	113 x 104 mm
Hmotnost podle prováděcího předpisu EPTA 01/2014 (Li-Ion 2,0 Ah ... 12,0 Ah)	1,66 ... 2,72 kg
Doporučená teplota okolí pro provoz	-18 ... +50 °C
Doporučené akupaky	M18B...; M18HB...
Doporučené nabíječky	M12-18...; M1418C6

Informace o hluku: Naměřené hodnoty odpovídají EN 62841.

V třídě A posuzovaná hladina hluku přístroje činí typicky:

Hladina akustického tlaku / Kolísavost K 78,28 dB (A) / 3 db (A)

Hladina akustického výkonu / Kolísavost K 89,28 dB (A) / 3 db (A)

Používejte chrániče sluchu !

Informace o vibracích: Celkové hodnoty vibrací (vektorový součet tří směrů)

zjištěné ve smyslu EN 62841.

Hodnota vibračních emisí a_{h} / Kolísavost K

5,23 m/s² / 1,50 m/s²

VAROVÁNÍ!

Hladina vibrací a emisí hluku uvedená v tomto informačním listu byla měřena v souladu se standardizovanou zkouškou uvedenou v normě EN 62841 a může být použita ke srovnání jednoho nástroje s jiným. Může být použita k předběžnému posouzení expozice.

Deklarovaná úroveň vibrací a emisí hluku představuje hlavní použití nástroje. Pokud se však nástroj používá pro různé aplikace, s různým příslušenstvím nebo s nedostatečnou údržbou, mohou se vibrace a emise hluku lišit. To může výrazně zvýšit úroveň expozice v průběhu celé pracovní doby.

Odhad úrovně expozice vibracím a hluku by měl také vzít v úvahu dobu, kdy je nástroj vypnutý nebo když běží, ale ve skutečnosti neprovádí úlohu. To může výrazně snížit úroveň expozice v průběhu celé pracovní doby.

Identifikujte dodatečná bezpečnostní opatření k ochraně pracovníka obsluhy před účinky vibrací a/nebo hluku, například: údržba nástroje a příslušenství, udržování rukou v teple, organizace pracovních schémat.

VAROVÁNÍ! Přečtěte si všechny bezpečnostní pokyny, instrukce, popisy a údaje, které obdržíte s přístrojem. Pokud následující pokyny nedodržíte, může to vést k úderu elektrickým proudem, požáru nebo těžkým poraněním.

Všechna varovná upozornění a pokyny do budoucna uschovejte.

BEZPEČNOSTNÍ POKYNY PRO BRUSKY

Nahromaděný brusný prach z broušení povrchových nátěrů, jako jsou polyuretany, Iněný olej atd., se může v prachovém sáčku nebo jinde samovznítit a způsobit požár. Abyste riziko požáru snížili, vždy sáček během broušení často vyprazdňujte (každých 10–15 minut) a nikdy brusku nenechávejte ležet ani neukládejte, aniž byste předtím zcela nevyprázdňili její prachový sáček. Dbejte také pokynů výrobců příslušných nátěrů.

DALŠÍ BEZPEČNOSTNÍ A PRACOVNÍ POKYNY

Nesahejte do nebezpečného prostoru běžícího stroje.

Pokud stroj běží, nesmí být odstraňovány třísky nebo odštěpky.

Použijte ochranné vybavení. Při práci s elektrickým nářadím používejte vždy ochranné brýle.

Prach vznikající při práci bývá zdraví škodlivý, a proto by se neměly vdechovat. Používejte odsávání prachu a navíc se chraňte vhodnou ochrannou maskou. Usazený prach dobře odstraňte, např. odsátím. Nesmějí se opracovávat materiály, které mohou způsobit ohrožení zdraví (např. azbest).

Stroj okamžitě vypněte, zjistíte-li neobvyklé vibrace nebo jiné problémy. Stroj přezkoušejte, abyste zjistili příčinu problémů.

Obráběný kus musí být řádně upnut, není-li dostatečně těžký.

Vzhledem k nebezpečí zkratu se nesmí dostat do odvětrávací mezery kovy.

VAROVÁNÍ! Abyste zabránili nebezpečí požáru způsobeného zkratem, poraněním nebo poškozením výrobku, neponořujte nářadí, výměnnou baterii nebo nabíječku do kapalin a zajistěte, aby do zařízení a akumulátorů nevnikly žádné tekutiny. Korodující nebo vodivě kapaliny, jako je slaná voda, určité chemikálie a bělicí prostředky nebo výrobky, které obsahují bělidlo, mohou způsobit zkrat.

Používejte jen originální Milwaukee brusivo a leštící příslušenství se suchým zipem.

Náhradní akumulátory ani nabíječku neotvírejte, skladujte je v suchu, chraňte před vlhkem.

Akumulátor systému M18 nabíjejte pouze nabíječkou systému M18.

OBLAST VYUŽITÍ

Brusku je možné použít k broušení dřevěných, plastových, kovových, tmelových a lakovaných povrchů.

Nepoužívejte výrobek jiným způsobem, než jaký je uveden pro zamýšlené použití.

ZBÝVAJÍCÍ RIZIKA

Ani při řádném používání není možné vyloučit všechna zbývající rizika. Při používání mohou vzniknout níže uvedená rizika, na která by měla obsluha dávat zvlášť pozor:

- Poranění způsobená vibrací. Přístroj držte pouze za určená držadla a omezte čas práce a expozice.
- Zatížení hlukem může vést k poškození sluchu. Noste ochranu sluchu a omezte dobu expozice.
- Poranění očí způsobená částicemi nečistot. Noste vždy ochranné brýle, pevné dlouhé kalhoty, rukavice a pevnou obuv.
- Vdechnutí jedovatých druhů prachu.

UPOZORNĚNÍ NA LITHIUM-IONTOVÉ BATERIE

Použití lithiium-iontových baterií

Déle nepoužívané akumulátory je nutné před použitím znovu nabít.

Teplota přes 50°C snižuje výkon akumulátorů. Chraňte před dlouhým přehříváním na slunci či u topení. Kontakty nabíječky a akumulátoru udržujte v čistotě.

Pro optimální životnost je nutné akumulátory po použití plně dobít. K zabezpečení dlouhé životnosti by se akumulátory měly po nabíti vyjmout z nabíječky.

Při skladování akumulátoru po dobu delší než 30 dní: Skladujte akumulátor v suchu při cca 27°C. Skladujte akumulátor při cca 30%-50% nabíjecí kapacity. Opakujte nabíjení akumulátoru každých 6 měsíců.

Ochrana proti přetížení u lithiium-iontových baterií

Při přetížení akumulátoru příliš vysokou spotřebou proudu, například při extrémně vysokém kroutícím momentu, začne elektrické nářadí po dobu 5 sekund vibrovat, indikátor dobíjení začne blikat a motor se následně samočinně vypne.

K opětovnému zapnutí uvolněte a následně opět stiskněte tlačítkový vypínač. Při extrémním zatížení dochází k příliš vysokému ohřevu akumulátoru. V tomto případě začnou blikat všechny kontrolky indikátoru dobíjení a blikají tak dlouho, dokud se akumulátor opět neochladí. V okamžiku, kdy indikátor dobíjení přestane blikat, je možné v práci opět pokračovat.

Přeprava lithiium-iontových baterií

Lithiium-iontové baterie spadají podle zákonných ustanovení pod přepravu nebezpečného nákladu.

Přeprava těchto baterií se musí realizovat s dodržováním lokálních, vnitrostátních a mezinárodních předpisů a ustanovení.

Spotřebitelé mohou tyto baterie bez problémů přepravovat po komunikacích.

Komerční přeprava lithiium-iontových baterií prostřednictvím přepravních firem podléhá ustanovením o přepravě nebezpečného nákladu. Přípravu k vyexpedování a samotnou přepravu směřující vykonávat jen příslušně vyškolené osoby. Na celý proces se musí odborně dohlížet.

Při přepravě baterií je třeba dodržovat následující:

Zajistěte, aby kontakty byly chráněné a izolované, aby se zamezilo zkratům.

Dávejte pozor na to, aby se svazek baterií v rámci balení nemohl sesmeknout. Poškozené a vyteklé baterie se nesmějí přepravovat. Ohledně dalších informací se obraťte na vaši přepravní firmu.

PRACOVNÍ POKYNY

Běžné broušení s excentrickými bruskami

Při použití excentrických brusek je potřeba myslet na několik věcí:

- Na rozdíl od většiny brusek by se excentrické brusky měly na obrobek přiložit PŘED zapnutím nářadí. Pokud se bruska zapne před umístěním na obrobek, volně se pohybující podložka se může otáčet rychlostí, při které může dojít po kontaktu s obrobkem k poškrábání.
- Excentrickými bruskami se na rozdíl od většiny brusek může pohybovat po obrobku v kterémkoli směru (v případě dřeva bez ohledu na směr žilkování).
- Různý tlak vyvíjený na brusku bude mít vliv na rychlost jejího otáčení. Pro jemnou práci se doporučuje lehký tlak, pro hrubou práci středně silný tlak. Při nadměrném tlaku se podložka nebude dostatečně otáčet.
- Brusnou podložku držte na obrobku vodorovně. Budete-li brousit špičkou nebo používat okraje brusné podložky, pak může být povrch nerovný a může se zkrátit životnost podložky.
- Po obrobku pohybujte brusku širokými souměrnými tahy. Budete-li brousit jedno místo příliš dlouho, může vzniknout prohlubeň a výsledkem může být nerovný povrch.
- Obrobek často kontrolujte, jelikož excentrické brusky brousí silněji než obyčejné orbitální brusky.

- Přiložte brusku na obrobek a zapněte ji.
- Dbejte na to, aby se brusný list vždy dotýkal obrobku naplocho, pohybujte brusku po obrobku a přitom dělejte dlouhé táhlé pohyby.
- Začněte obrušovat hrubým brusným papírem a postupně ho měňte za jemnější a jemnější, dokud nedocílíte požadovaného finišu. Pokud budete brusku používat například na dřevo, začněte s papírem o hrubosti 80, poté použijte papír o hrubosti 120, poté 180 a tak dále.

Odstranění nátěru nebo laku

- Budete-li chtít odstranit několik vrstev nátěru nebo laku, odstraňte jich co možná nejvíce ředidlem na barvu nebo odlakovačem.
- Zbytky oškrábejte škrabkou nebo jiným nástrojem na škrábání, a než přiložíte brusku na obrobek, nechejte povrch vychladnout a uschnout.
- Zvolte si hrubý brusný papír, abyste předešli zanesení brusného papíru.
- Bruskou pohybujte po nových místech, abyste předešli zahřívání a změkčení starého nátěru (barvy nebo laku).
- Dělejte široké překrývající se pohyby, aby byl výsledný finiš jednotný.
- Jakmile se pod starým nátěrem začne objevovat obrobek, vyměňte brusný papír za středně hrubý, abyste povrch obrobku nepoškrábali. Postupně bruste jemnějším brusným papírem, dokud nedosáhnete požadovaného finišu.

ČIŠTĚNÍ








Větrací štěrbinu nářadí udržujeme stále čisté.

ÚDRŽBA

Používat výhradně příslušenství Milwaukee a náhradní díly Milwaukee. Díly jejichž výměny nebyla popsána, nechte vyměnit v autorizovaném servisu (viz "Záruky / Seznam servisních míst")

Při potřebě podrobného rozkresu konstrukce, oslovte informaci o typu a čísle přímo servis a nebo výrobce, Techtronic Industries GmbH, Max-Eyth-Straße 10, 71364 Winnenden, Germany.

SYMBOLY

	Před spuštěním stroje si pečlivě přečtěte návod k používání.
	POZOR! VAROVÁNÍ! NEBEZPEČÍ!
	Před zahájením veškerých prací na vrtacím šroubováku vyjmout výměnný akumulátor.
	Nepoužívejte sílu.
	Při práci se strojem neustále nosit ochranné brýle.
	Používejte při práci vhodnou ochranou masku.
	Příslušenství není součástí dodávky, viz program příslušenství.



Odpadní baterie a odpadní elektrická a elektronická zařízení se nesmějí likvidovat společně s domovním odpadem. Odpadní baterie a odpadní elektrická a elektronická zařízení je nutné sbírat a likvidovat odděleně. Před likvidací odstraňte ze zařízení odpadní baterie, odpadní akumulátory a osvětlovací prostředky. Informujte se na místních úřadech nebo u vašeho odborného prodejce ohledně recyklačních dvorů a sběrných míst. Podle místních ustanovení mohou maloobchodní prodejci být povinni bezplatně odebrat zpět odpadní baterie a odpadní elektrická a elektronická zařízení. Opětovným použitím a recyklací vašich odpadních baterií a vašich odpadních elektrických a elektronických zařízení přispíváte ke snížení potřeby surovin. Odpadní baterie (především lithiium-iontové baterie), odpadní elektrická a elektronická zařízení obsahují cenné, opětovně použitelné materiály, které při ekologické likvidaci nemohou mít negativní účinky na životní prostředí a vaše zdraví. Před likvidací pokud možno vymažte na vašem odpadním přístroji existující osobní údaje.

	Volnoběžné otáčky
	napětí
	Stejnoseměrný proud
	Značka shody v Evropě
	Značka shody v Británii
	Značka shody na Ukrajině
	Značka shody pro oblast Eurasie

TECHNICKÉ ÚDAJE	M18 BQSS
Typ	Vibračná brúska
Výrobné číslo	4914 11 01 XXXXXX MJJJJ
Napätie výmenného akumulátora	18 V =
Otáčky naprázdno	11.000 - 13.000 min ⁻¹
Priemer okruhu kmitania.	1,6 mm
Rozmery brúsnej platne.	113 x 104 mm
Hmotnosť podľa vykonávacieho predpisu EPTA 01/2014 (Li-Ion 2,0 Ah ... 12,0 Ah)	1,66 ... 2,72 kg
Odporúčaná teplota okolia pre prevádzku	-18 ... +50 °C
Odporúčané akupaky	M18B...; M18HB...
Odporúčané nabíjačky	M12-18...; M1418C6
Informácia o hluku: Namerané hodnoty určené v súlade s EN 62841. V triede A posudzovaná hladina hluku prístroja číni typicky:	
Hladina akustického tlaku / Kolisavosť K	78,28 dB (A) / 3 db (A)
Hladina akustického výkonu / Kolisavosť K	89,28 dB (A) / 3 db (A)
Používajte ochranu sluchu!	
Informácie o vibráciách: Celkové hodnoty vibrácií (vektorový súčet troch smerov) zistených zmysle EN 62841.	
Hodnota vibračných emisií a _v / Kolisavosť K	5,23 m/s ² / 1,50 m/s ²

POZOR!

Úroveň vibrácií a emisií hluku uvedená v tomto informačnom liste bola meraná v súlade so štandardizovanou skúškou uvedenou v EN 62841 a môže sa použiť na porovnanie jedného nástroja s druhým. Môže sa použiť v predbežnom posúdení expozície.

Deklarovaná úroveň vibrácií a emisií hluku predstavuje hlavné aplikácie nástroja. Ak sa však nástroj používa pre rôzne aplikácie, s rôznym príslušenstvom alebo s nedostatočnou údržbou, môžu sa vibrácie a emisie hluku líšiť. To môže výrazne zvýšiť úroveň expozície počas celej pracovnej doby.

Odhad úrovne expozície vibráciám a hluku by mal tiež brať do úvahy čas, keď je nástroj vypnutý alebo keď beží, ale v skutočnosti nevykonáva prácu. To môže výrazne znížiť úroveň expozície počas celej pracovnej doby.

Identifikujte dodatočné bezpečnostné opatrenia na ochranu pracovníka obsluhy pred účinkami vibrácií a/alebo hluku, ako je: údržba nástroja a príslušenstva, udržanie teplých rúk, organizácia pracovných schém.

POZOR! Prečítajte si všetky bezpečnostné upozornenia, pokyny, vyobrazenia a údaje, ktoré dostanete spolu s prístrojom. Ak by ste nedodržali nasledujúce pokyny, mohlo by to mať za následok zásah elektrickým prúdom, vznik požiaru a/alebo vážne poranenie.

Tieto Výstražné upozornenia a bezpečnostné pokyny starostlivo uschovajte na budúce použitie.

BEZPEČNOSTNÉ POKYNY PRE BRÚSKY

Nahromadený brúsny prach z brúsenia povrchových náterov, ako sú polyuretány, lanový olej atď., sa môže vo vrecku na prach z brúsky alebo inde samovznietiť a spôsobiť požiar. Aby ste znížili riziko vzniku požiaru, vždy vyprázdňujte vrecko na prach počas brúsenia často (10-15 minút) a nikdy neskladujte ani nenechávajte brúsku bez úplného vyprázdnenia vrecka na prach. Dodržiavajte tiež odporúčania výrobcov náterov.

ĎALŠIE BEZPEČNOSTNÉ A PRACOVNÉ POKYNY

Nesiahať do nebezpečnej oblasti bežiacieho stroja.

Triesky alebo úlomky sa nesmú odstraňovať za chodu stroja.

Použite ochranné vybavenie. Pri práci s elektrickým náradím používajte vždy ochranné okuliare.

Prach, ktorý vzniká pri práci je často zdraviu škodlivý a nemal by sa dostať do tela. používajte odsávac prachu a noste vhodnú masku proti prachu. Uskladnený prach dôkladne odstrániť, napr. vysať.

Nesmú sa opracovávať materiály, ktoré môžu spôsobiť ohrozenie zdravia (napr. azbest)

Ak za chodu prístroja dôjde k výraznému kmitaniu alebo sa vyskytnú iné nedostatky, okamžite ho vypnite. Stroj skontrolujte, aby ste zistili príčinu.

Opracovávaný obrobok musí byť pevne upnutý, pokiaľ nedrží vlastnou váhou.

Z dôvodu nebezpečia skratu sa do vetracích otvorov nesmú dostať kovové predmety.

POZOR! Aby ste zabránili nebezpečenstvu požiaru spôsobeného skratom, poraneniam alebo poškodeniam výrobku, neponárajte náradie, výmennú batériu alebo nabíjačku do kvapalín a postarajte sa o to, aby do zariadení a akumulátorov nevnikli žiadne tekutiny. Korodujúce alebo vodivé kvapaliny, ako je slaná voda, určité chemikálie a bieliace prostriedky alebo výrobky, ktoré obsahujú bieliadlo, môžu spôsobiť skrat.

Používajte len originálne Milwaukee brúsne a leštiace nástroje so suchým zipsom.

Výmenné akumulátory a nabíjacie zariadenia neotvárať a skladovať len v suchých priestoroch. Chrániť pred vlhkosťou.

Výmenné akumulátory systému M18 nabíjať len nabíjacími zariadeniami systému M18.

POUŽITIE PODĽA PREDPISOV

Brúsku je možné použiť na brúsenie drevených, plastových, kovových, tmelových a lakovaných povrchov.

Nepoužívajte výrobok iným spôsobom, než aký je uvedený pre zamýšľané použitie.

ZVÝŠKOVÉ RIZIKÁ

Aj pri riadnom používaní nie je možné vylúčiť všetky zvyškové riziká. Pri používaní môžu vzniknúť nasledovné nebezpečenstvá, na ktoré by mala obsluha dávať zvlášť pozor:

- Poranenia spôsobené vibráciou. Prístroj držte iba za určené držadlá a obmedzte čas práce a expozície.
- Zaťaženie hlukom môže viesť k poškodeniam sluchu. Noste ochranu sluchu a obmedzte dobu expozície.
- Poranenia očí spôsobené čistočkami nečistôt. Noste vždy ochranné okuliare, pevné dlhé nohavice, rukavice a pevnú obuv.
- Vdýchnutie jedovatých druhov prachu.

UPOZORNENIE NA LÍTIUM-IÓNOVÉ BATÉRIE

Použitie lítium-iónových batérií

Dlhší čas nepoužívané výmenné akumulátory pred použitím dobiť.

Teplota vyššia ako 50°C znižuje výkon výmenného akumulátora. Zabráňte dlhšiemu ohriatiu slnkom alebo kúrením. Prípádne kontakty na nabíjacom zariadení a výmennom akumulátore udržiavať čisté.

Pre optimálnu životnosť je nutné akumulátory po použití plne dobiť. K zabezpečeniu dlhej životnosti by sa akumulátory mali po nabití vybrať z nabíjačky.

Pri skladovaní akumulátora po dobu dlhšiu než 30 dní: Skladujte akumulátor v suchu pri cca 27°C. Skladujte akumulátor pri cca 30%-50% nabíjacej kapacity. Opakujte nabíjanie akumulátora každých 6 mesiacov.

Ochrana proti preťaženiu pri lítium-iónových batériách

Pri preťažení akumulátora príliš vysokou spotrebou prúdu, napríklad pri extrémne vysokom krútiacom momente, začne elektrické náradie po dobu 5 sekúnd vibrovať, indikátor dobijania začne blikať a motor sa následne samočinne vypne.

K opätovnému zapnutiu uvoľnite a následne opäť stlačte tlačidlový vypínač. Pri extrémnom zaťažení dochádza k príliš vysokému ohrevu akumulátora. V tomto prípade začnú blikať všetky kontrolky indikátora dobijania a blikať tak dlho, dokiaľ sa akumulátor opäť neochladí. V okamihu, keď indikátor dobijania prestane blikať, je možné v práci opäť pokračovať.

Preprava lítiovo-iónových batérií

Lítiovo-iónové batérie podľa zákonných ustanovení spadajú pod prepravu nebezpečného nákladu.

Preprava týchto batérií sa musí realizovať s dodržiavaním lokálnych, vnútroštátnych a medzinárodných predpisov a ustanovení.

Spotrebiteľia môžu tieto batérie bez problémov prepravovať po cestách.

Komerčná preprava lítiovo-iónových batérií prostredníctvom špedičných firiem podlieha ustanoveniam o preprave nebezpečného nákladu. Pripravu k vyexpedovaniu a samotnú prepravu smú vykonávať iba adekvátne vyškolené osoby. Na celý proces sa musí odborné dohliadať.

Pri preprave batérií treba dodržiavať nasledovné:

Zabezpečte, aby boli kontakty chránené a izolované, aby sa zamedzilo skratom.

Dávajte pozor na to, aby sa zväzok batérií v rámci balenia nemohol zošmyknúť. Poškodené a vytečené batérie sa nesmú prepravovať. Kvôli ďalším informáciám sa obráťte na vašu špedičnú firmu.

NAPOTKI ZA DELO

Všeobecné brúsenie pomocou excentrických brúsok

Pri používaní excentrických brúsok je potrebné mať na pamäti niekoľko vecí:

- Na rozdiel od väčšiny brúsok by mali byť excentrické brúsky umiestnené na obrobok PRED spustením nástroja. Ak sa brúska spustí pred umiestnením na obrobok, voľne plávajúca podložka sa môže otáčať rýchlosťou, ktorá môže spôsobiť škrabance, keď bude konečne umiestnená na obrobok.
- Na rozdiel od väčšiny brúsok sa excentrické brúsky môžu pohybovať po obrobku v ľubovoľnom smere (v prípade dreva bez ohľadu na smer jadra).
- Rôzny tlak aplikovaný na brúsku ovplyvní rýchlosť jej otáčania. Malý tlak sa odporúča pre jemnú prácu, stredný tlak pre hrubú prácu. Nadmerný tlak neumožňuje dostatočnú rotáciu podložky.
- Brúsku podložku udržiavajte rovno na obrobku. Naklonenie brúsky alebo používanie okrajov podložky môže spôsobiť nerovný povrch a znížiť životnosť podložky.
- Udržiavajte brúsku v pohybe širokými rovnomernými pohybmi po obrobku. Príliš dlhé brúsenie na jednom mieste môže spôsobiť ryhovanie a nerovnomerné výsledky.
- Často kontrolujte obrobok, excentrické brúsky pracujú agresívnejšie ako jednoduché brúsky.

1. Položte brúsku na obrobok a zapnite ju.
2. Udržujte brusný list rovno na obrobku, udržiavajte brúsku v pohybe po obrobku a používajte dlhé, splyvajúce pohyby.
3. Začnite brúsiť brúsnym papierom s hrubou zrnitosťou a postupne používajte jemnejšie a jemnejšie zrnitosti brúsneho papiera, kým nedosiahnete požadovaný povrch. Napríklad pri použití brúsky na dreve začnite so zrnitosťou 80, potom 120, následne 180 atď.

Odstránenie farby alebo laku

1. Pri odstraňovaní niekoľkých vrstiev farby alebo laku odstráňte čo najviac pomocou rozpúšťadla farieb alebo odstraňovača lakov.
2. Zvyšky zoškrabte špachtľou alebo iným škrabacím nástrojom a pred umiestnením brúsky na obrobok nechajte povrch vychladnúť a vysušiť.
3. Vyberte list brúsneho papiera s hrubou zrnitosťou, aby ste zabránili upchávaniu brúsneho papiera.
4. Udržujte brúsku v pohybe na nových plochách, aby ste zabránili zahrievaniu a zmäkčovaniu starého náteru (farby alebo laku).
5. Pracujte širokými, prekrývajúcimi sa pohybmi, aby ste dosiahli jednotný povrch.
6. Keď obrobok začne presvitať cez starý náter, prejdite na list brúsneho papiera so strednou zrnitosťou, aby ste predišli poškrabaniu povrchu obrobku. Postupne prejdite na brusný papier s jemnou zrnitosťou, kým nedosiahnete požadovaný povrch.

ČISTENIE

Vetracie otvory udržiavať stále v čistote.

ÚDRZBA

Používať len Milwaukee príslušenstvo a Milwaukee náhradné diely. Súčiastky bez návodu na výmenu treba dať vymeniť v jednom z Milwaukee zákaznických centier (viď brožúru Záruka/Adresy zákaznických centier).

Pri udaní typu stroja a čísla nachádzajúceho sa na štítku dá sa v prípade potreby vyžadovať explozívna schéma prístroja od vášho zákaznického centra alebo priamo v Techtronic Industries GmbH, Max-Eyth-Straße 10, 71364 Winnenden, Germany.

SYMBOLY

	Pred prvým použitím prístroja si pozorne prečítajte návod na obsluhu.
	POZOR! NEBEZPEČENSTVO!
	Pred každou prácou na stroji výmenný akumulátor vytriahnuť.
	Nepoužívajte silu.
	Pri práci so strojom vždy noste ochranné okuliare.
	Pri práci nosiť vhodnú ochrannú masku, aby sa nedostal do ľudského organizmu.
	Príslušenstvo - nie je súčasťou štandardnej výbavy, odporúčané doplnenie z programu príslušenstva.
	Použitie batérie a odpad z elektrických a elektronických zariadení sa nesmie likvidovať spolu s domovým odpadom. Použitie batérie a odpad z elektrických a elektronických zariadení treba zbierať a likvidovať oddelene. Pred likvidáciou odstráňte zo zariadení použité batérie, použité akumulátory a osvetľovacie prostriedky. Informujte sa pri miestnych úradoch alebo u vášho odborného predajcu oňom recyklačných dvorov a zberných miest. Podľa miestnych ustanovení môžu maloobchodní predajcovia byť povinní bezplatne zobrať späť použité batérie a odpad z elektrických a elektronických zariadení. Opätovným použitím a recykláciou vašich použitých batérií a vášho odpadu z elektrických a elektronických zariadení prispievate k zníženiu potreby surovín. Použitie batérie (predovšetkým lítium-iónové batérie), odpad z elektrických a elektronických zariadení obsahuje cenné, opätovne použiteľné materiály, ktoré pri ekologickej likvidácii nemôžu mať negatívne účinky na životné prostredie a vaše zdravie. Pred likvidáciou podľa možnosti vymažte na vašom použitom prístroji existujúce osobné údaje.
n_0	Otáčky naprázdno
V	Napätie
	Jednosmerný prúd
	Značka zhody v Európe
	Značka zhody v Británii
	Značka zhody na Ukrajine
	Značka zhody pre oblasť Eurázie

DANE TECHNICZNE	M18 BQSS
Typ	szlifierka wibracyjna
Numer produkcyjny	4914 11 01 XXXXXX MJJJJ
Napięcie baterii akumulatorowej	18 V ==
Prędkość bez obciążenia	11.000 - 13.000 min ⁻¹
Średnica ruchu orbitalnego	1,6 mm
Wymiary płyty ścierniej	113 x 104 mm
Ciężar wg procedury EPTA 01/2014 (Li-Ion 2,0 Ah ... 12,0 Ah)	1,66 ... 2,72 kg
Zalecana temperatura otoczenia w trakcie eksploatacji	-18 ... +50 °C
Zalecane zestawy akumulatorowe	M18B...; M18HB...
Zalecane ładowarki	M12-18...; M1418C6
Informacja dotycząca szumów: Zmierzone wartości wyznaczone zgodnie z normą EN 62841.	
Poziom szumów urządzenia oszacowany jako A wynosi typowo:	
Poziom ciśnienia akustycznego / Niepewność K	78,28 dB (A) / 3 db (A)
Poziom mocy akustycznej / Niepewność K	89,28 dB (A) / 3 db (A)
Należy używać ochraniaczy uszu!	
Informacje dotyczące wibracji: Wartości łączne drgań (suma wektorowa trzech kierunków) wyznaczone zgodnie z normą EN 62841	
Wartość emisji drgań a_n / Niepewność K	5,23 m/s ² / 1,50 m/s ²

⚠ OSTRZEŻENIE!

Poziom drgań i emisji hałasu podany w niniejszej instrukcji zmierzono zgodnie ze standardową metodą badania wg EN 62841 i można ją wykorzystać do porównania narzędzia z innym narzędziem. Można go wykorzystać przy wstępnej ocenie narażenia.

Deklarowany poziom emisji drgań i hałasu reprezentuje główne zastosowania narzędzia. Jeśli jednak narzędzie jest używane do różnych zastosowań, z różnymi akcesoriami lub w przypadku nieprawidłowej konserwacji, emisja drgań i hałasu może się różnić. Może to znacznie zwiększyć poziom narażenia w całym okresie eksploatacji narzędzia.

Oszacowanie poziomu narażenia na wibracje i hałas powinno również uwzględniać czasy, kiedy narzędzie jest wyłączone lub kiedy jest włączone, ale nie pracuje. Może to znacznie obniżyć poziom ekspozycji w całym okresie eksploatacji narzędzia.

Należy zidentyfikować dodatkowe środki bezpieczeństwa w celu ochrony operatora przed skutkami wibracji i/lub hałasu, takie jak: utrzymywanie narzędzia i akcesoriów w nienagannym stanie, utrzymywanie ciepła rąk, organizacja pracy.

⚠ OSTRZEŻENIE! Przeczytać wszystkie wskazówki bezpieczeństwa, instrukcje, ilustracje i dane dołączone do urządzenia. Jeśli nie będą przestrzegane następujące przepisy, może dojść do porażenia prądem, pożaru i/lub ciężkich obrażeń ciała.

Należy starannie przechowywać wszystkie przepisy i wskazówki bezpieczeństwa dla dalszego zastosowania.

INSTRUKCJE BEZPIECZEŃSTWA DOTYCZĄCE SZLIFIEREK

Pył zebrany podczas szlifowania powłok, takich jak poliuretan, olej liniany itp. może ulec samozapłonowi w worku na pył podłączonym do urządzenia lub poza nim i spowodować pożar. Aby zmniejszyć ryzyko pożaru, należy opróżniać worek na pył podczas szlifowania (co 10-15 minut) – nie należy pozostawiać ani przechowywać szlifierki bez uprzedniego opróżnienia worka na pył. Ponadto należy przestrzegać zaleceń producentów powłok.

DODATKOWE WSKAZÓWKI BEZPIECZEŃSTWA I INSTRUKCJE ROBOCZE

Podczas pracy strugarki nie zbliżać się do strefy niebezpiecznej. Podczas pracy elektronarzędzia nie wolno usuwać trocin ani drzazg. Stosować wyposażenie ochronne. Przy pracy maszyną zawsze nosić okulary ochronne.

Pył wydzielający się podczas pracy z elektronarzędziem może być szkodliwy dla zdrowia i dlatego też nie powinien on mieć kontaktu z ciałem. Stosować układ pochłaniania pyłu i nosić odpowiednią maskę ochronną. Dokładnie usunąć nagromadzony pył np. przy pomocy odkurzacza.

Nie wolno obrabiać materiałów, które mogą być przyczyną zagrożenia zdrowia (na przykład azbestu).

Natychmiast wyłączyć elektronarzędzie w przypadku wystąpienia znacznych drgań lub w przypadku stwierdzenia innych usterek. Sprawdzić urządzenie w celu ustalenia przyczyny.

Jeśli ciężar własny obrabianego przedmiotu nie pozwala jego unieruchomienie, to należy go zamocować.

Nie dopuszczać do przedostawania się części metalowych do szczelin powietrznych - niebezpieczeństwo zwarcia!

OSTRZEŻENIE! Aby uniknąć niebezpieczeństwa pożaru, obrażeń lub uszkodzeń produktu na skutek zwarcia, nie wolno zanurzać narzędzia, akumulatora wymiennego ani ładowarki w cieczach i należy zatroszczyć się o to, aby do urządzeń i akumulatorów nie dostały się żadne cieczce. Zwarcie spowodować mogą korodujące lub przewodzące cieczce, takie jak woda morską, określone chemikalia i wybielacze lub produkty zawierające wybielacze.

Stosować wyłącznie oryginalne narzędzia strugarskie i polerskie z samomocującym systemem Velcro

Nie otwierać wkładek akumulatorowych i ładowarek. Przechowywać w suchych pomieszczeniach. Chronić przed wilgocią.

Akumulatory Systemu M18 należy ładować wyłącznie przy pomocy ładowarek Systemu M18.

WARUNKI UŻYTKOWANIA

Szlifierka może być używana do obróbki drewna, tworzyw sztucznych, metalu, szpachli i powierzchni malowanych.

Nie należy używać produktu w inny sposób niż zgodny z jego przeznaczeniem.

ZAGROŻENIA RESZTKOWE

Nawet przy prawidłowym użytkowaniu nie można wykluczyć wszystkich ryzyk rezydualnych. W trakcie użytkowania mogą powstawać poniższe zagrożenia, nawet w przypadku zachowania przez operatora najwyższej troski:

- Obrażenia spowodowane przez wibrację. Urządzenie należy trzymać za przeznaczony w tym celu uchwyt i ograniczać czas pracy i czas ekspozycji.
- Uciążliwość akustyczna może prowadzić do uszkodzeń słuchu. Należy mieć na sobie nauszki i ograniczać czas trwania ekspozycji.
- Obrażenia oczu spowodowane przez cząstki brudu. Należy zawsze mieć na sobie okulary ochronne, solidne długie spodnie, rękawice i solidne buty robocze.
- Wdychanie toksycznego pyłu.

WSKAZÓWKI DLA AKUMULATORÓW LITOWO-JONOWYCH

Użytkowanie akumulatorów litowo-jonowych

Akumulatory, które nie były przez dłuższy czas użytkowane, należy przed użyciem naładować.

W temperaturze powyżej 50°C następuje spadek osiągniętych wkładki akumulatorowej. Unikaj długotrwałego wystawienia na oddziaływanie ciepła lub promieni słonecznych (niebezpieczeństwo przegrzania). Styki ładowarek i wkładek akumulatorowych należy utrzymywać w czystości

Dla zapewnienia optymalnej żywotności akumulatory po użyciu należy naładować do pełnej pojemności. Dla zapewnienia możliwie długiej żywotności akumulatory należy wyjąć z ładowarki po ich naładowaniu.

W przypadku składowania akumulatorów dłużej niż 30 dni: Przechowywać je w suchym miejscu w temperaturze ok. 27°C. Przechowywać je w stanie naładowanym do ok. 30% - 50%. Ładować je ponownie co 6 miesięcy.

Ochrona przeciwpromieniowa w akumulatorach litowo-jonowych

W przypadku przeciążenia akumulatora przez bardzo duży pobór prądu, na przykład wskutek ekstremalnie dużych momentów obrotowych, narzędzie ręczne z napędem elektrycznym wibruje przez 5 sekund, miga wskaźnik ładowania i narzędzie samoczynnie wyłącza się.

W celu ponownego włączenia narzędzia należy zwolnić przycisk przełączający, a następnie ponownie go włączyć. Przy ekstremalnych obciążeniach akumulator nagrzewa się za mocno. W takim przypadku wszystkie lampki wskaźnika ładowania migają tak długo, aż akumulator ochłodzi się. Po zgaśnięciu wskaźnika ładowania można kontynuować pracę.

Transport akumulatorów litowo-jonowych

Akumulatory litowo-jonowe podlegają ustawowym przepisom dotyczącym transportu towarów niebezpiecznych.

Transport tych akumulatorów winien odbywać się przy przestrzeganiu lokalnych, krajowych i międzynarodowych rozporządzeń i przepisów.

Odbiorcom nie wolno transportować tych akumulatorów po drogach od tak po prostu.

Komercyjny transport akumulatorów litowo-jonowych przez przedsiębiorstwa spedycyjne podlega przepisom dotyczącym transportu towarów niebezpiecznych. Przygotowania do wysyłki oraz transport mogą być wykonywane wyłącznie przez odpowiednio przeszkoloną osobę. Cały proces winien odbywać się pod fachowym nadzorem.

W czasie transportu akumulatorów należy przestrzegać następujących punktów:

Celem uniknięcia zwarcia należy upewnić się, że zestyki są zabezpieczone i zaizolowane.

Zwracać uwagę na to, aby zespół akumulatorów nie mógł się przemieszczać we wnętrzu opakowania. Nie wolno transportować akumulatorów uszkodzonych lub z wyciekającym z elektrolitem. Odnośnie dalszych wskazań należy zwrócić się do swojego przedsiębiorstwa spedycyjnego.

WSKAZÓWKI DOTYCZĄCE UŻYTKOWANIA

Ogólne zasady szlifowania za pomocą szlifierek mimosrodowych

Korzystając z szlifierek mimosrodowych, należy pamiętać o kilku rzeczach:

- W przeciwieństwie do większości szlifierek, szlifierkę mimosrodową przykłada się do powierzchni obrabianego przedmiotu PRZED uruchomieniem narzędzia. Jeśli szlifierka zostanie uruchomiona przed umieszczeniem jej na obrabianym przedmiocie, ruchoma podkładka może zarysować powierzchnię.
- W przeciwieństwie do większości szlifierek, szlifierki mimosrodowe można przesuwać po obrabianym przedmiocie w dowolnym kierunku (w przypadku drewna, niezależnie od kierunku siołków).
- Zmiana nacisku wywieranego na szlifierkę wpływa na jej prędkość obrotową. Lekki docisk jest zalecany w przypadku drobnej obróbki, a umiarkowany do obróbki zgrubnej. Nadmierny nacisk ogranicza prędkość obrotową podkładki.
- Podkładkę ścierną należy prowadzić płasko po obrabianym przedmiocie. Prowadzenie szlifierki pod kątem lub szlifowanie krawędzią podkładki może spowodować nierówną obróbkę materiału i szybsze zużycie podkładki.
- Szlifierkę należy prowadzić szerokimi, równymi ruchami po obrabianym przedmiocie. Zbyt długie szlifowanie w jednym miejscu może spowodować wyżłobienia i nierównomiernie wykończenie materiału.
- Zalecana jest częsta kontrola obrabianej powierzchni – szlifierki mimosrodowe działają bardziej agresywnie niż zwykłe szlifierki oscylacyjne.

1. Umieścić szlifierkę na obrabianym przedmiocie i włączyć urządzenie.
2. Papier ścierny powinien przylegać płasko do obrabianej powierzchni. Prowadzić szlifierkę w poprzek obrabianego przedmiotu, długimi, zamasytymi ruchami.
3. Szlifowanie należy rozpocząć od gruboziarnistego papieru ściernego i stopniowo używać papieru coraz drobniejszego, aż do uzyskania pożądanego wykończenia powierzchni. Przykładowo, przy szlifowaniu drewna można zacząć od papieru ściernego o grubości 80, następnie 120, 180 i tak dalej.

Usuwanie farby lub lakieru

1. Usuwając kilka warstw farby lub lakieru, należy jak najwięcej usunąć za pomocą rozpuszczalnika do farb lub zmywacza do lakieru.
2. Pozostałości należy zeszkobać szpachlą lub podobnym narzędziem i pozostawić powierzchnię do wyschnięcia przed użyciem szlifierek.
3. Pracę szlifierką należy rozpocząć od papieru ściernego o grubym uziarnieniu, aby zapobiec ślizganiu się papieru po powierzchni.
4. Szlifierkę należy przesuwac w kolejne miejsca na powierzchni, aby uniknąć przegrzewania i zmiękczenia starej powłoki (farby lub lakieru).
5. Prowadzić szlifierkę szerokimi, zachodzącymi na siebie pociągnięciami, aby uzyskać jednolite wykończenie powierzchni.
6. Gdy podłoże znacznie przebiejać się przez starą powłokę lakierniczą, należy przejść na papier ścierny o średniej grubości, aby nie zarysować powierzchni przedmiotu obrabianego. Następnie należy przechodzić na papier ścierny o coraz drobniejszym ziarnie, aż uzyska się pożądaną jakość wykończenia powierzchni.

CZYSZCZENIE

Otwory wentylacyjne elektronarzędzia muszą być zawsze drożne.

UTRZYMANIE I KONSERWACJA

Używać tylko i wyłącznie wyposażenia dodatkowego Milwaukee i części zamiennych Milwaukee. Gdyby trzeba było wymienić części, które nie zostały opisane, należy skontaktować się z przedstawicielem serwisu Milwaukee (patrz wykaz adresów punktów usługowych/gwarancyjnych).

Na życzenie można otrzymać rysunek widoku zespołu rozebranego. Przy zamawianiu należy podać numer oraz typ elektronarzędzia umieszczony na tabliczce znamionowej. Zamówienia można dokonać albo u lokalnych przedstawicieli serwisu, albo bezpośrednio w Techtronic Industries GmbH, Max-Eyth-Straße 10, 71364 Winnenden, Germany.

SYMBOLY

	Przed uruchomieniem elektronarzędzia zapoznać się uważnie z treścią instrukcji.
	UWAGA! OSTRZEŻENIE NIEBEZPIECZEŃSTWO!
	Przed przystąpieniem do jakichkolwiek prac na elektronarzędziu należy wyjąć wkładkę akumulatorową.
	Nie używać siły.
	Podczas pracy należy zawsze nosić okulary ochronne.
	Nosić odpowiednią maskę przeciwpyłową.
	Wyposażenie dodatkowe dostępne osobno.
	Zużyte baterie oraz zużyty sprzęt elektryczny i elektroniczny nie może być usuwany razem z odpadami pochodzącymi z gospodarstw domowych. Zużyte baterie oraz zużyty sprzęt elektryczny i elektroniczny należy gromadzić i usuwać oddzielnie. Przed utylizacją należy usunąć z urządzeń zużyte baterie, zużyte akumulatory oraz źródła światła. Proszę zasięgnąć informacji o centrach recyklingowych i punktach zbiorczych u władz lokalnych lub u wyspecjalizowanego dostawcy. W zależności od lokalnych przepisów, sprzedawcy detaliczni mogą być zobowiązani do bezpłatnego odbioru zużytego sprzętu elektrycznego i elektronicznego. Poprzez ponowne wykorzystanie i recykling zużytych baterii oraz zużytego sprzętu elektrycznego i elektronicznego pomagamy zmniejszać zapotrzebowanie na surowce. Zużyte baterie (zwłaszcza baterie litowo-jonowe) oraz zużyty sprzęt elektryczny i elektroniczny zawierają cenne materiały nadające się do recyklingu, które mogą mieć negatywny wpływ na środowisko naturalne i zdrowie użytkownika, jeśli nie zostaną zutylizowane w sposób przyjazny dla środowiska. Przed utylizacją zużytego sprzętu należy usunąć wszelkie zamieszczone na nim dane osobowe.
n_0	Prędkość bez obciążenia
V	Napięcie
	Prąd stały

	Europejski Certyfikat Zgodności
	Brytyjski Certyfikat Zgodności
	Ukraiński Certyfikat Zgodności
	Euroazjatycki Certyfikat Zgodności

MŰSZAKI ADATOK	M18 BQSS
Felépítés	Rezgőcsiszoló
Gyártási szám	4914 11 01 XXXXXX MJJJJ
Akkumulátor feszültség	18 V =
Üresjárat fordulatszám	11.000 - 13.000 min ⁻¹
Vibrációs kilengés átmérő	1,6 mm
A csiszoló alap méretei	113 x 104 mm
Súly a 01/2014 EPTA-eljárás szerint (Li-Ion 2,0 Ah ... 12,0 Ah)	1,66 ... 2,72 kg
Üzemeléshez ajánlott környezeti hőmérséklet	-18 ... +50 °C
Ajánlott akkucsomagok	M18B...; M18HB...
Ajánlott töltőkészülékek	M12-18...; M1418C6
Zajinformáció: A közölt értékek megfelelnek az EN 62841 szabványnak. A készülék munkahelyi zajszintje tipikusan:	
Hangnyomás szint / K bizonytalanság	78,28 dB (A) / 3 db (A)
Hangteljesítmény szint / K bizonytalanság	89,28 dB (A) / 3 db (A)
Hallásvédő eszköz használata ajánlott!	
Vibráció-információk: Összesített rezgésértékek (három irány vektoriális összegaz EN 62841-nek megfelelően meghatározva. rezegésemisszió érték a _v / K bizonytalanság	5,23 m/s ² / 1,50 m/s ²

FIGYELMEZTETÉS!

Az adatlapon feltüntetett rezgés- és zajkibocsátási szint mérésére az EN 62841 szabványos vizsgálati módszere alapján került sor, és a kapott értékek az egyes szerszámok összehasonlítására használhatók. Az értékek az expozíció előzetes értékelésében használhatók. A feltüntetett rezgés- és zajkibocsátási szint a szerszám főbb alkalmazásait tükrözi. Mindazonáltal, ha a szerszámot különböző alkalmazásokra, eltérő tartozékokkal használják, illetve a szerszám nincs megfelelően karbantartva, a rezgés- és zajkibocsátási szint eltérő lehet. Ez jelentősen növelheti az expozíciós szintet a teljes munkafolyamat során.

A rezgésnek és zajnak való expozíció becslőt szintjét is figyelembe kell venni a szerszám kikapcsolásakor, illetve olyankor, ha a szerszám üzemel, de valójában nem történik vele munkavégzés. Ez jelentősen csökkentheti az expozíciós szintet a teljes munkafolyamat során.

Határozzon meg további biztonsági intézkedéseket, hogy védje a kezelőt a rezgés- és/vagy zajhatásoktól. Ilyen intézkedések pl.: a szerszámok és tartozékok karbantartása, a kéz melegen tartása, munkarend-szervezés.

FIGYELMEZTETÉS! Olvasson el minden, a géppel együtt megkapott biztonsági utalást, utasítást, ábrázolást és adatot. Ha nem tartja be a következő előírásokat, akkor ez áramütéshez, tűzhöz és/vagy súlyos személyi sérülésekhez vezethet.

Kérjük a későbbi használatra gondosan őrizze meg ezeket az előírásokat.

CSISZOLÓGÉPEKRE VONATKOZÓ BIZTONSÁGI UTASÍTÁSOK

Felületi bevonatok – poliuretán, lenolaj stb. – csiszolásából származó csiszolópor összegyűlése öngyulladás okozhat a csiszológép porzsákjában vagy máshol, így tüzet okozhat. A tűzveszély csökkentése érdekében mindig gyakran (10-15 percenként) ürítse ki a porzsákokat, és soha ne tárolja vagy ne hagyja magára a csiszológépet a porzsákjának teljes kiürítése nélkül. Tartsa be a bevonat gyártóinak az ajánlásait is.

TOVÁBBI BIZTONSÁGI ÉS MUNKAÉVÉZÉSI UTASÍTÁSOK

A működő készülék munkaterületére nyúlni balesetveszélyes és tilos. A munka közben keletkezett forgácsokat, szilánkokat, törmelékét, stb. csak a készülék teljes leállása után szabad a munkaterületről eltávolítani. Használjon védőfelszerelést! Ha a gépen dolgozik, mindig hordjon védőszemüveget! A munkavégzéskor keletkező por az egészségre ártalmas lehet. Ilyen esetben ajánlatos a megfelelő elszívó berendezés és a védőmaszk használata. A munkaterületen lerakódott port alaposan el kell takarítani. Nem szabad olyan anyagokat megmunkálni, amelyek egészségre veszélyesek (pl. azbesztet). A készüléket azonnal ki kell kapcsolni, ha szokatlanul erős rezgés vagy más, hibára utaló jelenség lépne fel. Vizsgálja meg a készüléket, hogy mi lehet a helytelen működés oka. A munkadarabot rögzíteni kell, amennyiben saját súlya nem tartja meg biztonságosan.

Rövidzárlat veszélye miatt a szellőzőnyílásokba nem kerülhetnek fémdarabkák.

FIGYELMEZTETÉS! A rövidzárlat általi tűz, sérülések vagy termékkárosodások veszélye elkerülésére ne merítse a szerszámot, a cserélhető akkut vagy a töltőkészüléket folyadékokba, és gondoskodjon arról, hogy ne hatoljanak folyadékok a készülékekbe és az akkuba. A korrozív hatású vagy vezetőképes folyadékok, mint pl. a sós víz, bizonyos vegyi anyagok, fehérítők vagy fehérítő tartalmú termékek, rövidzárlatot okozhatnak. Használjon eredeti Milwaukee csiszoló és polírozó gépeket és tartozékokat eredeti Velcro rögzítéssel.

Az akkumulátort, töltőt nem szabad megbontani és kizárólag száraz helyen szabad tárolni. Nedvességtől óvni kell.

Az M18 elnevezésű rendszerhez tartozó akkumulátorokat kizárólag a rendszerhez tartozó töltővel töltsen fel.

RENDELTESSZERŰ HASZNÁLAT

A csiszológép fa, műanyag, fém, gitttel és festett felület csiszolására használható. A terméket csak rendeltetészerűen használja.

FENNMARADÓ VESZÉLYEK

Szabályos használat esetén sem lehet minden fennmaradó kockázatot kizárni. A használat során a következő veszélyek keletkezhetnek, amelyekre a kezelőnek különösen figyelnie kell:

- Vibráció okozta sérülések. A készüléket az a célra szolgáló markolatoknál fogja meg és korlátozza a munka- és expozíciós időt.
- A zajterhelés halláskárosodást okozhat. Viseljen hallásvédőt és korlátozza az expozíciós időt.
- Szennyrészecskék által okozott szemsérülések. Viseljen mindig védőszemüveget, erős hosszú nadrágot, kesztyűt és ellenálló lábbelit.
- Mérgező porok belélegzése

LI-ION AKKUKRA VONATKOZÓ ÚTMUTATÁSOK

Li-ion akkuk használata

A hosszabb ideig üzemben kívül lévő akkumulátort használat előtt ismételtelen fel kell tölteni.

50°C feletti hőmérsékletnél csökkenthet az akkumulátor teljesítménye. Kerülni kell a túlzottan meleg helyen vagy napon történő hosszabb idejű tárolást. A töltő és az akkumulátor csatlakozóit mindig tisztán kell tartani.

Az optimális élettartam érdekében használat után az akkukat teljesen fel kell tölteni. A lehetőleg hosszú élettartamhoz az akkukat feltöltés után ki kell venni a töltőkészülékből.

Az akku 30 napot meghaladó tárolása esetén: Az akkut kb. 27 °C-on, száraz helyen kell tárolni. Az akkut kb. 30-50%-os töltöttségi állapotban kell tárolni. Az akkut 6 havonta újra kell tölteni.

Akku-túlterhelés elleni védelem Li-ion akkuknál

Az akku nagyon nagy áramfelhasználása következtében fellépő túlterhelése esetén - pl. rendkívül magas forgatónyomatékok, a fűró megszorulása, hirtelen leállás vagy rövidzárlat miatt – az elektromos szerszám 5 másodpercen keresztül vibrál, a töltéskijelző villog és az elektromos szerszám magától kikapcsol.

Az újbóli bekapcsoláshoz engedje el a nyomókapcsolót, majd kapcsolja be ismét. Rendkívüli terhelésenként az akku túlságosan felmelegszik. Ebben az esetben a töltéskijelző minden lámpája addig villog, amíg az akku le nem hűl. Ha a töltéskijelző kialszik, utána tovább lehet dolgozni.

Lítium-ion akkuk szállítása

A lítium-ion akkuk a veszélyes áruk szállítására vonatkozó törvényi rendelkezések hatálya alá tartoznak.

Az ilyen akkuk szállításának a helyi, országos és nemzetközi előírások és rendelkezések betartása mellett kell történnie.

A fogyasztók minden további nélkül szállíthatják az ilyen akkukat közúton.

A lítium-ion akkuk szállítmányozási vállalatok általi kereskedelmi célú szállítására a veszélyes áruk szállítására vonatkozó rendelkezések érvényesek. A kiszállítás előkészítését és a szállítást kizárólag megfelelő képzettségű személyek végezhetik. A teljes folyamatnak szakmai felügyelet alatt kell történnie.

A következő pontokat kell figyelembe venni akkuk szállításakor:

Biztosítsa, hogy a rövidzárlatok elkerülése érdekében az érintkezők védve és szigetelve legyenek.

Ügyeljen arra, hogy az akkucsomag ne tudjon elcsúszni a csomagoláson belül. Tilos sérült vagy kifolyt akkukat szállítani. További útmutatásokért forduljon szállítványozási vállalatához.

A HASZNÁLATRA VONATKOZÓ ÚTMUTATÁSOK

Általános csiszolás excentercsiszolókkal

Az excentercsiszolók használatát során néhány dolgot figyelembe kell venni:

- A legtöbb csiszológéptől eltérően az excentercsiszolókat a szerszám indítása ELŐTT kell a munkadarabra helyezni. Ha a csiszológépet a munkadarabra helyezése előtt elindítják, akkor a szabadon mozgó tárcsa olyan fordulatszámra felgyorsíthat, ami karcolást okozhat, amikor véglegesen a munkadarabra helyezik.
- A legtöbb csiszológéptől eltérően az excentercsiszolókat bármely irányban (fa esetében a száliránytól függetlenül) mozgathatja a munkadarabon.
- A csiszológépre gyakorolt változó nyomás befolyásolja a forgási sebességet. Finom munkához enyhe nyomás, míg durva munkához mérsékelt nyomás javasolt. Túlzott nyomás esetén a csiszolótárcsa nem tud kellő fordulatszámmal forogni.
- A csiszolótárcsát a munkadarabon tartsa vízszintes helyzetben. A csiszológép megbillentése vagy a tárcsa éleinek használata egyetlen felületet hozhat létre és csökkentheti a tárcsa élettartamát.

• A csiszológépet egyenletes, széles mozdulatokkal mozgassa a munkadarabon. Egyetlen hely túl hosszú idejű csiszolása bemélyedést és egyenetlen eredményeket okozhat.

• A munkadarabot gyakran ellenőrizze, mivel az excentercsiszolók erőteljesebben működnek, mint az egyszerű csiszológépek.

1. Helyezze a csiszológépet a munkadarabra és kapcsolja be.
2. A csiszolópapírt vízszintesen helyezze a munkadarabra, a csiszológépet a munkadarab teljes felületén mozgassa, hosszú pásztázó mozdulatokkal.
3. A csiszolást durva szemcsésű csiszolópapírral kezdje, és fokozatosan térjen át az egyre finomabb csiszolópapírra, a kívánt felületi minőség eléréseig. Például ha a csiszológépet fán használja, akkor kezdje 80-as finomságú papírral, majd folytassa 120-as finomságúval, végül 180-as finomságúval – és így tovább.

Festék vagy lakk eltávolítása

1. Több réteg festék vagy lakk eltávolítása során a lehető legtöbb festékdoldószerrel vagy lakkeltávolítóval távolítsa el.
2. Kaparja le a maradványt gittelökéssel vagy egyéb kaparó szerszámmal, majd hagyja lehűlni és kiszáradni a felületet, mielőtt ráhelyezi a csiszológépet a munkadarabra.
3. Durva szemcsés csiszolópapírt válasszon, hogy elkerülje a csiszolópapír eltömődését.
4. Folyamatosan mozgassa a csiszológépet új területekre, hogy elkerülje a régi (festék vagy lakk) réteg felmelegedését és lágyulását.
5. Az egyenletes felület érdekében széles, egymást átfedő mozdulatokkal dolgozzon.
6. Miután a munkadarab már kezd látszani a régi réteg alatt, váltson közepes finomságú csiszolópapírra, hogy elkerülje a munkadarab felületének karcolását. Fokozatosan váltson finom szemcsésű csiszolópapírra, amíg el nem éri a kívánt felületi minőséget.

TISZTÍTÁS

A készülék szellőzőnyílásait mindig tisztán kell tartani.

KARBANTARTÁS

Csak Milwaukee tartozékokat és Milwaukee pótalkatrészeket szabad használni. Az olyan elemeket, melyek cseréje nincs ismertetve, cseréltesse ki Milwaukee szervizzel (lásd Garancia/Ügyfélszolgálat címei kiadványt).

Szükség esetén a készülékek robbantott ábráját - a készülék típusa és azonosító száma alapján a területileg illetékes TTI márkaszerviztől vagy közvetlenül a gyártótól (Techtronic Industries GmbH, Max-Eyth-Straße 10, 71364 Winnenden, Germany) lehet kérni.

	Kérjük alaposan olvassa el a tájékoztatót mielőtt a gépet használja.
	FIGYELEM! FIGYELMEZTETÉS! VESZÉLY!
	Karbantartás, javítás, tisztítás, stb. előtt az akkumulátort ki kell venni a készülékből.
	Ne alkalmazzon erőt.
	Munkavégzés közben ajánlatos védőszemüveget viselni.
	Hordjon e célra alkalmas porvédőmaszkot.
	Azokat a tartozékokat, amelyek gyárilag nincsenek a készülékhez mellékelve, külön lehet megrendelni.
	A hulladékelemeket, az elektromos és elektronikus berendezések hulladékait nem szabad a háztartási hulladékkal együtt ártalmatlanítani. A hulladékelemeket, az elektromos és elektronikus berendezések hulladékait elkülönítve kell gyűjteni és ártalmatlanítani. Az ártalmatlanítás előtt távolítsa el a hulladékelemeket, a hulladékkumulátorokat és az izzókat a berendezésekből. A helyi hatóságoknál vagy szakkereskedőjénél tájékozódjon a hulladékudvarokról és gyűjtőhelyekről. A helyi rendelkezésektől függően a kiskereskedők kötelesek lehetnek a hulladékelemeket, az elektromos és elektronikus berendezések hulladékait ingyenesen visszavenni. A hulladékelemek, az elektromos és elektronikus berendezések hulladékainak újrahasználatával és újrahasznosításával járuljon hozzá a nyersanyagszükséglet csökkentéséhez. A hulladékelemek (mindenekelőtt a lítium-ion elemek), az elektromos és elektronikus berendezések hulladékai értékes újrahasznosítható anyagokat tartalmaznak, melyek környezetvédelmi szempontból nem megfelelő ártalmatlanítás esetén negatív hatással lehetnek a környezetre és az Ön egészségére. Ártalmatlanítás előtt törölje a használt készüléken lévő lehetséges személyes adatokat.
n_0	Üresjárat fordulatszám
V	Feszültség
	Egyenáram
	Európai megfelelőségi jelölés
	Egyesült Királyságbeli megfelelőségi jelölés
	Ukrán megfelelőségi jelölés
001	



Eurázsiai megfelelőségi jelölés

TEHNIČNI PODATKI

	M18 BQSS
Model	nihajni brusilnik
Proizvodna številka	4914 11 01 XXXXXX MJJJJ
Napetost izmenljivega akumulatorja	18 V \equiv
Število vrtljajev v prostem teku	11.000 - 13.000 min ⁻¹
Vibracijski krog \emptyset	1,6 mm
Izmera brusilne plošče	113 x 104 mm
Teža po EPTA-proceduri 01/2014 (Li-Ion 2,0 Ah ... 12,0 Ah)	1,66 ... 2,72 kg
Priporočena temperatura okolice za obratovanje	-18 ... +50 °C
Priporočeni kompleti akumulatorjev	M18B...; M18HB...
Priporočeni polnilniki	M12-18...; M1418C6

Informacije o hrupnosti: Vrednosti merjenja ugotovljene ustrezno z EN 62841.

Raven hrupnosti naprave ovrednotena z A, znaša tipično:

Nivo zvočnega tlaka / Nevarnost K 78,28 dB (A) / 3 db (A)

Višina zvočnega tlaka / Nevarnost K 89,28 dB (A) / 3 db (A)

Nosite zaščito za sluh!**Informacije o vibracijah:** Skupna vibracijska vrednost (Vektorska vsota treh smerdoločena ustrezno EN 62841.Vibracijska vrednost emisij a_{hv} / Nevarnost K 5,23 m/s² / 1,50 m/s²**⚠ OPOZORILO!**

Raven vibracij in hrupa, navedena v tem informativnem listu, je bila izmerjena v skladu s standardiziranim preskusom iz EN 62841 in jo je mogoče uporabljati za primerjavo orodij med seboj. Mogoče jo je tudi uporabiti za predhodno oceno izpostavljenosti.

Navedena raven vibracij in hrupa predstavlja glavno uporabo orodja. Če pa se orodje uporablja za različne namene, z različnimi dodatki ali slabo vzdrževano, se lahko vibracije in hrup razlikujejo. To lahko znatno poveča raven izpostavljenosti v celotnem delovnem obdobju.

Pri oceni ravni izpostavljenosti vibracijam in hrupu je treba upoštevati tudi čas, ko je orodje izklopljeno ali ko teče, vendar dejansko ne opravlja dela. To lahko bistveno zmanjša raven izpostavljenosti v celotnem delovnem obdobju.

Ugotovite dodatne varnostne ukrepe za zaščito upravljalca pred učinki vibracij in/ali hrupa, kot so: vzdrževanje orodja in dodatkov, tople roke, organizacija delovnih vzorcev.

⚠ OPOZORILO! Preberite vse varnostne napotke, navodila, prikaže in podatke, ki ste jih prejeli skupaj z napravo. Zaradi nespoštovanja spodaj navedenih navodil lahko pride do električnega udara, požara in/ali težkih telesnih poškodb.**Vsa opozorila in napotila shranite, ker jih boste v prihodnje še potrebovali.****VARNOSTNA NAVODILA ZA BRUSILNIKE**

Zbran brusilni prah iz brusilnih površin, kot so poliuretani, laneno olje itd., se lahko samodejno vname v vrečki za prah brusilnika ali drugje in povzroči požar. Za zmanjšanje nevarnosti požara vedno redno (10–15 minut) praznite vrečko za prah med brušenjem in brusilnika nikoli ne shranjujte ali puščajte, ne da bi popolnoma izpraznili vrečko za prah. Upoštevajte tudi priporočila proizvajalcev premazov.

NADALJNA VARNOSTNA IN DELOVNA OPOZORILO

Ne segajte na področje nevarnosti tekočega stroja.

Trske ali iveri se pri tekočem stroju ne smejo odstranjevati.

Uporabite zaščitno opremo. Pri delu s strojem vedno nosite zaščitna očala.

Prah, ki nastaja pri delu, je pogosto zdravju škodljiv in naj ne zaide v telo. Uporabljajte odsesavanje prahu in dodatno nosite primerno masko za zaščito proti prahu. Prah, ki se usede, temeljito očistite, npr. posesajte.

Obdelava materialov, iz katerih izhaja ogroženost zdravja (npr. azbest), ni dovoljena.

Napravo takoj izklopite, če nastopijo znatne vibracije ali če ugotovite drugačne pomanjkljivosti. Preverite stroj, da ugotovite vzrok.

Kos, ki ga želite obdelovati, mora biti trdno vpet, če ne drži že zaradi lastne teže.

Zaradi nevarnosti kratkega stika kovinski deli ne smejo zaiti v špranje za prezačevanje.

OPOZORILO! V izogib, s kratkim stikom povzročene nevarnosti požara, poškodb ali okvar na proizvodu, orodja, izmenljivega akumulatorja ali polnilne naprave ne potaplajte v tekočine in poskrbite, da ne bo prihajalo do vdora tekočin v napravo in akumulatorje. Korozivne ali prevodne tekočine, kot so slana voda, določene kemikalije in belila ali proizvodi, ki le ta vsebujejo, lahko povzročijo kratak stik.

Uporabljajte samo originalna Milwaukee orodja za brušenje in poliranje s samodržečim prijemalnim zapiralom.

Izmenljivih akumulatorjev in polnilnih aparatov ne odpirajte in jih hranite samo v suhih prostorih. Zaščitite jih pred mokroto.

Izmenljive akumulatorje sistema M18 polnite samo s polnilnimi aparati sistema M18.

UPORABA V SKLADU Z NAMEMBNOSTJO

Brusilnik se lahko uporablja za brušenje lesa, plastike, kovine, polnila in barvanih površin.

Izdelka ne uporabljajte na noben drugačen način od navedenega za predvideno uporabo.

PREOSTALE NEVARNOSTI

Tudi pri pravilni uporabi vseh pretalnih tveganj ni mogoče izključiti. Pri uporabi lahko pride do sledečih nevarnosti, na katere naj bo uporabnik zmeraj pozoren:

- Vsled vibracij povzročene poškodbe. Napravo držite za temu namenu predvidene ročaje in omejite čas dela in izpostavljenosti.
- Obremenitev s hrupom lahko privede do poškodb sluha. Nosite zaščito sluha in omejite dovo izpostavljenosti.
- Vsled delcev nečistoč povzročene poškodbe oči. Nosite zmeraj zaščitna očala, močne dolge hlače, rokavice in močno obutev.
- Vdihavanje nevarnih prahov.

NAPOTKI ZA LITIJSKE AKUMULATORJE

Uporaba litij-ionskih akumulatorjev

Izmenljive akumulatorje, ki jih daljši čas niste uporabljali, pred uporabo naknadno napolnite.

Temperatura nad 50°C zmanjšuje zmogljivost izmenljivega akumulatorja. Izogibajte se daljšemu segrevanju zaradi sončnih žarkov ali grejta.

Pazite, da ostanejo priključni kontakti na polnilnem aparatu in izmenljivem akumulatorju čisti.

za optimalno življenjsko dobo je potrebno akumulatorje po uporabi do konca napolniti.

Za čim daljšo življenjsko dobo naj se akumulatorji po napolnitvi vzamejo ven iz naprave za polnjenje.

Pri skladiščenju akumulatorjev daj kot 30 dni:

Akumulator skladiščiti pri 27°C in na suhem.

Akumulator skladiščiti pri 30%-50% stanja polnjenja.

Akumulator spet napolniti vsakih 6 mesecev.

Preobremenitvena zaščita litij-ionskih akumulatorjev

V primeru preobremenitve akumulatorja zaradi visoke porabe toka, npr. ekstremno visokih vrtilnih momentov, nenadne zaustavitve ali kratkega stika, električno orodje 5 sekund vibrira, prikazovalnik polnjenja utripa, električno orodje pa se samodejno izklopi.

Za ponoven vklop izpustite pritisno stikalo in nato znova vklopite. Pod ekstremnimi obremenitvami se akumulator premočno segreva. V tem primeru utripajo vse lučke prikazovalnika polnjenja dokler se akumulator ne ohladi. Za tem, ko prikazovalnik polnjenja ugasne lahko z delom nadaljujemo.

Transport litij-ionskih akumulatorjev

Litij-ionski akumulatorji so podvrženi zakonskim določbam transporta nevarnih snovi.

Transport teh akumulatorjev se mora izvajati upoštevajoč lokalne, nacionalne in mednarodne predpise in določbe.

Potrošniki lahko te akumulatorje še nadalje transportirajo po cesti.

Komercialni transport litij-ionskih akumulatorjev s strani špediterskih podjetij je podvržen določbam transporta nevarnih snovi. Priprava odpreme in transporta se lahko vrši izključno s strani ustrezno izšolanih oseb. Celoten proces je potrebno strokovno spremljati.

Pri transportu akumulatorjev je potrebno upoštevati sledeče točke:

V izogib kratkim stikom zagotovite, da bodo kontakti zaščiteni in izolirani.

Bodite pozorni na to, da paket akumulatorja v notranjosti embalaže ne bo mogel zdrsni. Poškodovanih ali iztekajočih akumulatorjev ni dovoljeno transportirati. Za nadaljnja navodila se obrnite na vaše špeditersko podjetje.

PRACOVNE POKYNY

Splošno brušenje z naključnim orbitalnim brusilnikom

Pri uporabi naključnega orbitalnega brusilnika je treba upoštevati nekaj stvari:

- Za razliko od večine brusilnikov je treba naključni orbitalni brusilnik postaviti na obdelovanca PRED zagonom orodja. Če brusilnik zažene, preden ga položite na obdelovanca, se lahko prosto lebdeča blazinica vrtilni s hitrostjo, ki lahko povzroči praske, ko je končno nameščena na obdelovanca.
- Za razliko od večine brusilnikov lahko naključni orbitalni brusilnik po obdelovancu premikate v vse smeri (v primeru lesa, ne glede na smer zrna).
- Različen uporabljen pritisk na brusilnik bo vplival na njegovo hitrost vrtenja. Za fino delo je priporočljiv lahek pritisk, za grobo delo pa zmeren. Prevelik pritisk ne omogoča, da se blazinica dovolj vrtilni.
- Poskrbite, da bo brusna blazinica ravna na obdelovancu. Nagibanje brusilnika ali uporaba robov blazinice lahko povzroči neenakomeren zaključek in skrajša življenjsko dobo blazinice.
- Brusilnik po obdelovancu premikajte s širokimi enakomernimi potezami. Predolgo brušenje na enem mestu lahko povzroči vdolbine in neenakomerne rezultate.

• Redno preverjajte obdelovanca, naključni orbitalni brusilnik deluje bolj agresivno kot preprosti orbitalni brusilnik.

1. Namestite brusilnik na obdelovanca in vklopite brusilnik.
2. Brusni list mora biti ravnobno ob obdelovancu, brusilnik pa premikajte po obdelovancu in uporabljajte dolge, široke poteze.
3. Brušenje začnite z grobimi brusnimi papirjem in postopoma uporabljajte brusni papir z vse bolj drobnimi zrnji, dokler ne dosežete zelenega zaključka. Ko na primer uporabljate brusilnik za les, začnite z granulacijo 80, nato z granulacijo 120, nato z granulacijo 180 in tako naprej.

Odstranjevanje barve ali laka

1. Ko odstranjujete več plasti barve ali laka, jih čim več odstranite s topilom barve ali odstranjevalcem laka.
2. Ostanke postrgajte z nožem za kitanje ali drugim orodjem za strganje in pustite, da se površina ohladi in posuši, preden brusilnik namestite na obdelovanca.
3. Izberite brusni list z grobimi zrnji, da preprečite zamašitev brusnega lista.
4. Pustite, da se brusilnik premika po novih območjih, da preprečite segrevanje in zmeščanje starega premaza (barve ali laka).
5. Delajte s širokimi, prekrivajočimi se gibi, da ustvarite enoten zaključek.
6. Ko se obdelovanec začne prikazovati skozi stari premaz, preklopite na list brusnega papirja srednje zrnatosti, da preprečite praskanje površine obdelovanca. Postopoma preklopite na drobnozrnati brusilni papir, dokler ne dosežete zelenega zaključka.

ČIŠČENJE


Pazite na to, da so prezračevalne reže stroja vedno čiste.

VZDRŽEVANJE

Uporabljajte samo Milwaukee pribor in Milwaukee nadomestne dele. Poskrbite, da sestavne dele, katerih zamenjava ni opisana, zamenjajo v Milwaukee servisni službi (upoštevajte brošuro Garancija aslovi servisnih služb).






Po potrebi se lahko pri vaši servisni službi ali direktno pri Techtronic Industries GmbH naroči eksplozijska risba naprave ob navedbi tipa stroja in številke s tipske ploščice Techtronic Industries GmbH, Max-Eyth-Straße 10, 71364 Winnenden, Germany.

SIMBOLI

	Prosimo, da pred uporabo pozorno preberete to navodilo za uporabo.
	POZOR! OPOZORILO! NEVARNO!
	Pred vsemi deli na stroji odstranite izmenljivi akumulator.
	Brez uporabe sile.
	Pri delu s strojem vedno nosite zaščitna očala.
	Nosite ustrezno masko proti prahu.
	Oprema – ni vsebovana v obsegu dobave, priporočeno dopolnilo iz programa opreme.



Odpadnih baterij, odpadne električne in elektronske opreme ne odstranjujete kot nesortirani komunalni odpadki. Odpadne baterije ter odpadno električno in elektronsko opremo je treba zbirati ločeno. Odpadne baterije, odpadne akumulatorje in svetlobne vire je treba odstraniti iz opreme. Za nasvet glede recikliranja in zbirnih mest se obrnite na lokalno oblast ali trgovca. V skladu z lokalnimi predpisi so lahko trgovci na drobno obvezani, da morajo brezplačno vzeti nazaj odpadne baterije ter odpadno električno in elektronsko opremo. Vaš prispevek k ponovni uporabi in recikliranju odpadnih baterij ter odpadne električne in elektronske opreme pomaga pri zmanjševanju povpraševanja po surovinah. Odpadne električna in elektronska oprema vsebujejo dragocene materiale, primerne za recikliranje, ki imajo lahko, če niso odstranjeni na okolju prijazen način, škodljive posledice za okolje in zdravje ljudi. Z odpadne opreme izbrišite osebne podatke, če obstajajo.

n_0	Število vrtljajev v prostem teku
V	Napetost
	Enosmerni tok
	Evropska oznaka za združljivost
	Britanska oznaka za združljivost
	Ukrajinska oznaka za združljivost
	Evrazijska oznaka za združljivost

TEHNIČKI PODACI	M18 BQSS
Vrsta izvedbe	Vibracijski brusnač
Broj proizvodnje	4914 11 01 XXXXXX MJJJJ
Napon baterije za zamjenu	18 V \approx
Broj okretaja praznog hoda	11.000 - 13.000 min ⁻¹
Krug njihanja- ϕ	1,6 mm
Dimenzija brusne ploče	113 x 104 mm
Težina po EPTA-proceduri 01/2014 (Li-Ion 2,0 Ah ... 12,0 Ah)	1,66 ... 2,72 kg
Preporučena temperatura okoline za pogon	-18 ... +50 °C
Preporučeni akumulatorski paket	M18B...; M18HB...
Preporučeni punjači	M12-18...; M1418C6
Informacije o buci: Mjerne vrijednosti utvrđene odgovarajuće EN 62841. A-ocijenjeni nivo buke aparata iznosi tipično:	
Nivo pritiska zvuka / Nesigurnost K	78,28 dB (A) / 3 db (A)
Nivo učinka zvuka / Nesigurnost K	89,28 dB (A) / 3 db (A)
Nositi zaštitu sluha!	
Informacije o vibracijama: Ukupne vrijednosti vibracije (Vektor suma tri smjersu odmjerene odgovarajuće EN 62841	
Vrijednost emisije vibracije a_{h} / Nesigurnost K	5,23 m/s ² / 1,50 m/s ²

UPOZORENIE!

Razine emisije vibracija i buke navedena u ovom informacijskom listu izmjerene su u skladu sa standardiziranim ispitom koji propisuje EN 62841 i mogu se upotrebljavati za međusobnu usporedbu alata. Također se mogu upotrebljavati za prethodnu procjenu izloženosti.

Navedene razine emisija vibracija i buke predstavljaju glavnu svrhu primjene alata. Međutim, ako se alat upotrebljava u druge svrhe, s drugim priborom ili se ne održava dovoljno, emisije vibracija i buke mogu biti drukčije. To može značajno povećati razinu izloženosti tijekom cjelokupna razdoblja rada.

Procjena razine izloženosti vibracijama i buci također bi u obzir trebala uzeti razdoblja tijekom kojih je alat isključen ili kada je uključen, no nje se ne obavlja nikakav rad. Time se značajno može smanjiti razina izloženosti tijekom cjelokupna razdoblja rada.

Utvrđite dodatne sigurnosne mjere kako biste zaštitili rukovatelja od ovih učinaka vibracija i/ili buke, primjerice: održavanje alata i pribora, osiguravanje da ruke budu tople, organizacija obrazaca rada.

UPOZORENIE! Pročitajte sve sigurnosne upute, napomene, prikaze i podatke koje dobijete uz uređaj. Ako se ne bi pridržavali sljedećih uputa, moglo bi doći do električnog udara, požara i/ili teških ozljeda.

Sačuvajte sve napomene o sigurnosti i upute za buduću primjenu.

SIGURNOSNE UPUTE ZA BRUSILICE

Nakupljena brusna prašina s premaza brusnih površina kao što su poliuretani, laneno ulje itd. mogu se samozapaliti u vreći za prašinu brusilice ili drugdje te uzrokovati požar. Da biste umanjili rizik požara, redovito praznite vreću za prašinu (10 – 15 minuta) tijekom brušenja te nikada nemojte skladištiti niti ostavljati brusilicu, a da njezinu vreću u cijelosti ne ispraznite. Također, slijedite preporuke proizvođača premaza.

OSTALE SIGURNOSNE I RADNE UPUTE

Ne sezati u područje opasnosti radećeg stroja.

Piljevina ili iever se za vrijeme rada stroja ne smiju odstranjivati.

Upotrebljavati zaštitnu opremu. Kod radova sa strojem uvijek nositi zaštitne naočale.

Prašina koja nastaje kod rada je često štetna po zdravlje i ne bi smjela dospjeti u tijelo. Primijeniti usisavanje prašine i dodatno nositi prikladnu zaštitnu masku protiv prašine. Sleglu prašinu temeljito odstraniti, npr. usisati.

Ne smiju se obrađivati nikakvi materijali, od kojih prijeti opasnost po zdravlje (npr. azbest).

Aparat odmah isključiti, ako dođe do bitnih titranja, ili ako se utvrde drugi nedostaci. Provjerite stroj, kako bi utvrdili uzrok.

Radni predmet koji se obrađuje mora biti čvrsto stegnut, ako se ne drži svojom osobnom težinom.

Zbog opasnosti od kratkog spoja metalni dijelovi ne smiju dospjeti u otvore za prozračivanje.

UPOZORENIE! Zbog izbjegavanja opasnosti od požara jednim kratkim spojem, opasnosti od ozljeda ili oštećenja proizvoda, alat, izmjenjivi akumulator ili napravu za punjenje ne uronjavati u tekućine i pobrinite se za to, da u uređaju ili akumulatoru ne prodiru nikakve tekućine. Korozirajuće ili vodljive tekućine kao slana voda, određene kemikalije i sredstva za bijeljenje ili prozvodni koji sadrže sredstva bijeljenja, mogu prouzročiti kratak spoj.

Primijeniti samo originalne Milwaukee alate za brušenje i poliranje sa samodržećim čičkovim zatvaračem.

Baterije za zamjenu i uređaje za punjenje ne otvarati i čuvati ih samo u suhim prostorijama. Čuvati protiv vlage.

Baterije sistema M18 puniti samo sa uređajem za punjenje sistema M18.

PROPIISNA UPOTREBA

Brusilica se može upotrebljavati za brušenje drva, plastike, metala, punila i obojenih površina.

Proizvod nemojte koristiti u svrhe za koje nisu namijenjeni.

PREOSTALE OPASNOSTI

I kod pravilne uprabe se ne mogu isključiti svi ostaci rizika. Kod uporabe mogu nastati sljedeće opasnosti, na koje poslužioc mora obratiti posebnu pažnju:

- Vibracijama prouzročene ozljede. Uređaj držite na za to predviđenim drškama i ograničite radno vrijeme i vrijeme ekspozicije.
- Opterećenje bukom može dovesti do oštećenja sluha. Nosite zaštitu sluha i ograničite trajanje ekspozicije.
- Česticama prljavštine prouzročene ozljede očiju. Nosite uvijek zaštitne naočale, zatvorene duge hlače, rukavice i zatvorene cipele.
- Udisanje otrovnih prašina.

UPUTE ZA LI-ION-AKUMULATORE

Korištenje Li-Ion-akumulatora

Baterije koje duže vremena nisu korištene, prije upotrebe napuniti.

Temperatura od preko 50°C smanjuje učinak baterija. Duže zagrijavanje od strane sunca ili grijanja izbjeci. Priključne kontakte na uređaju za punjenje i baterijama držati čistima.

Za optimalni vijek trajanja se akumulatori poslije upotrebe moraju sasvim napuniti. Za što moguće duži vijek trajanja, akumulatori se nakon punjenja moraju odstraniti iz punjača.

Kod skladištenja akumulatora duže od 30 dana: Akumulator skladištiti na suhom kod ca. 27°C. Akumulator skladištiti kod ca. 30%-50% stanja punjenja. Akumulator ponovno napuniti svakih 6 mjeseci.

Zaštita od preopterećenja akumulatora kod Li-Ion-akumulatora

Kod preopterećenja akumulatora kroz vrlo visoku potrošnju struje, npr. ekstremno visoki zakretni momenti, električni alat vibrira za vrijeme od 5 sekundi, pokazivač punjenja treperi i električni alat se samostalno isključuje.

Za ponovno uključivanje ispustiti okidač sklopke i zatim ponovno uključiti. Pod ekstremnim opterećenjima se akumulator prejak zagrije. U tome slučaju trepere sve lampice pokazivača punjenja, sve dok se akumulator ne ohladi. Poslije gašenja pokazivača punjenja se može nastaviti sa radom.

Transport litijskih ionskih baterija

Litijske-ionske baterije spadaju pod zakonske odredbe u svezi transporta opasne robe.

Prijevoz ovih baterija mora uslijediti uz poštivanje lokalnih, nacionalnih i internacionalnih propisa i odredaba.

Korisnici mogu bez ustručavanja ove baterije transportirati po cestama.

Komercijalni transport litijsko-ionskih baterija od strane transportnih poduzeća spada pod odredbe o transportu opasne robe. Otpremničke pripreme i transport smiju izvoditi isključivo odgovarajuće školovane osobe. Kompletni proces se mora pratiti na stručan način.

Kod transporta baterija se moraju poštivati sljedeće točke:

Uvjerite se da su kontakti zaštićeni i izolirani kako bi se izbjegli kratki spojevi.

Pazite na to, da blok baterija unutar pakiranja ne može proklizavati. Oštećene ili iscurjele baterije se ne smiju transportirati. U svezi ostalih uputa obratite se vašem prijevoznom poduzeću.

RADNE UPUTE

Općenito brušenje slučajno orbitalnim brusilicama

Pri upotrebi slučajno orbitalnih brusilica potrebno je u obzir uzeti određene okolnosti:

- Za razliku od većine brusilica, slučajno orbitalne brusilice moraju se postaviti na obradak PRIJE pokretanja alata. Ako se brusilica pokrene prije no što se postavi na obradak, slobodno pokretljivi disk može se okretati pri brzini koja može uzrokovati ogrebotine kada se naposljetku postavi na obradak.
- Za razliku od većine brusilica, slučajno orbitalne brusilice mogu se pomicati duž obratka u bilo kojem smjeru (u slučaju drva bez obzira na smjer godova).
- Promjene u pogledu primijenjenog tlaka brusilice utjecat će na brzinu njezina rotiranja. Lagan tlak preporučuje se za precizne radove, a umjeren tlak za grube radove. Prekomjeren tlak onemogućava dovoljnu rotaciju diska.
- Držite brusni disk ravno na obratku. Naginjanjem brusilice ili upotrebom rubova diska može dovesti do neravnomjerne završne obrade i skratiti vijek trajanja diska.
- Pomičite brusilicu širokim, ravnomjernim potezima duž obratka. Predugo brušenje na jednom mjestu može dovesti do izdubljivanja i neravnomjernih rezultata.

• Redovito provjeravajte obradak jer slučajno orbitalne brusilice imaju agresivniji učinak od jednostavnih orbitalnih brusilica.

- Postavite brusilicu na obradak i uključite brusilicu.
- Držite brusni list ravno na obratku te pomičite brusilicu duž obratka dugačkim, kružnim pokretima.
- Počinite brusiti brusnim papirom s grubom granulacijom i postupno upotrebljavajte brusne papire s finijom granulacijom dok ne postignete željeni rezultat. Na primjer, tijekom upotrebe brusilice na drvu, započnite s granulacijom 80, nakon nje s granulacijom 120, zatim s granulacijom 180 itd.

Uklanjanje boje ili laka

- Tijekom uklanjanja više slojeva boje ili laka uklonite što veću količinu otapalom za boje ili sredstvom za uklanjanje laka.
- Sastružite ostatke lopaticom ili drugim alatom za struganje te pustite površinu da se ohladi i osuši prije upotrebe brusilice na obratku.
- Koristite se listom brusnog papira s grubom granulacijom da biste spriječili začepljivanje brusnog papira.
- Pomičite brusilicu duž novih područja da biste spriječili zagrijavanje ili omekšavanje starog premaza (boje ili laka).
- Pomičite se širokim, preklapajućim pokretima da biste osigurali ravnomjeren rezultat.
- Dok se obradak počinje nazirati kroz stari premaz, prijedite na brusni papir sa srednjom granulacijom da biste izbjegli grebanje površine obratka. Postupno prelazite na brusni papir s finom granulacijom dok ne postignete željeni rezultat.

ČIŠĆENJE

Proreze za prozračivanje stroja uvijek držati čistima.

ODRŽAVANJE

Primijeniti samo Milwaukee opremu i Milwaukee rezervne dijelove. Sastavne dijelove, čija zamjena nije opisana, dati zamijeniti kod jedne od Milwaukee servisnih službi (poštivati brošuru Garancija/ Adrese servisa).

Po potrebi se može zatražiti crtež eksplozije aparata uz davanje podataka o tipu stroja i desetoznamenastog broja na pločici snage kod Vaše servisne službe ili direktno kod Techtronic Industries GmbH, Max-Eyth-Straße 10, 71364 Winnenden, Germany.

SIMBOLI

	Molimo da pažljivo pročitate uputu o upotrebi prije puštanja u rad.
	PAŽNJA! UPOZORENIE! OPASNOST!
	Prije svih radova na stroju izvaditi bateriju za zamjenu.
	Ne upotrebjavati silu.
	Kod radova na stroju uvijek nositi zaštitne naočale.
	Nositi prikladnu zaštitnu masku protiv prašine.
	Oprema - u opsegu isporuke nije sadržana, preporučena dopuna iz promgrama opreme.
	Stare baterije, električni i elektronički uređaji se ne smiju zbrinjavati skupa sa kućnim smećem. Stare baterije, električni i elektronički uređaji se moraju odvojeno skupljati i zbrinuti. Prije zbrinjavanja odstranite stare baterije, stare akumulatorne i rasvjetna sredstva iz uređaja. Raspitajte se kod mjesnih vlasti ili kod Vašeg stručnog trgovca o mjestima recikliranja i mjestima skupljanja. Zavisno o mjesnim odredbama stručni trgovci mogu biti obvezatni, stare baterije, i električne i elektroničke stare uređaje besplatno uzeti nazad. Doprinesite kroz ponovnu primjenu i recikliranje Vaših starih baterija, električnih i elektronskih uređajatom, da se potreba za sirovinama smanji. Stare baterije (prije svega litij-ionske baterije, električne i elektronske stare uređaje sadrže dragocjene, ponovno uporabljive materijale, koje bi kod zbrinjavanja protivno očuvanju okoline mogli imati negativne posljedice za okolinu i Vaše zdravlje. Prije zbrinjavanja izbrišite postojeće podatke koji se odnose na osobu, koji se po mogućnosti nalaze na Vašem starom uređaju.
n_0	Broj okretaja praznog hoda
V	Napon
	Istosmjerna struja
	Europski znak suglasnosti
	Britanski znak suglasnosti
	Ukrajinski znak suglasnosti
	Euroazijski znak suglasnosti

TEHNISKE DATI

	M18 BQSS
Konstrukcija	superfinašna mašina
Izlaides numurs	4914 11 01 XXXXXX MJJJJ
Akumulatora spriegums	18 V =
Tukšgaitas apgriezienu skaits	11.000 - 13.000 min ⁻¹
Orbitālās virsmas diametrs	1,6 mm
Slīplātnes izmērs	113 x 104 mm
Svars atbilstoši EPTA -Procedure 01/2014 (Li-Ion 2,0 Ah ... 12,0 Ah)	1,66 ... 2,72 kg
Darbībai ieteicamā apkārtnes temperatūra	-18 ... +50 °C
Ieteicamie akumulatoru komplekti	M18B...; M18HB...
Ieteicamās uzlādes ierīces	M12-18...; M1418C6
Trokšņu informācija: Vērtības, kas noteiktas saskaņā ar EN 62841. A novērtētās aparatūras skaņas līmenis ir:	
Trokšņa spiediena līmenis / Nedrošība K	78,28 dB (A) / 3 db (A)
Trokšņa jaudas līmenis / Nedrošība K	89,28 dB (A) / 3 db (A)
Nēsāt trokšņa slāpētāju!	
Vibrāciju informācija: Svārstību kopējā vērtība (Trīs virzienu vektoru summtiek noteikta atbilstoši EN 62841.	
svārstību emisijas vērtība a_v / Nedrošība K	5,23 m/s ² / 1,50 m/s ²

UZMANĪBU!

Vibrācijas un trokšņa emisijas līmenis šajā informācijas lapā ir izmērīts saskaņā ar EN 62841 standarta testa metodi un var tikt izmantots, lai salīdzinātu vienu ierīci ar otru. Tās var tikt izmantotas ietekmes sākotnējai izvērtēšanai.

Norādītais vibrācijas un trokšņa emisijas līmenis attēlo ierīces galvenos izmantošanas veidus. Tomēr, ja ierīce tiek izmantota citiem mērķiem, ar citu papildaprīkojumu vai nepareizi apkalpota, vibrācijas un trokšņa emisija var atšķirties. Tas var ievērojami paaugstināt ietekmes līmeni visā darba laikā.

Novērtējot vibrācijas un trokšņa ietekmes līmeni, vajadzētu ņemt vērā arī laiku, kad ierīce ir izslēgta vai ieslēgta, taču netiek lietota. Tas var ievērojami samazināt ietekmes līmeni visā darba laikā.

Lai aizsargātu operatoru no vibrācijas un/vai trokšņa, veiciet papildu drošības pasākumus, piemēram, veiciet apkopi ierīcei un papildaprīkojumam, uzturiet rokas siltas, organizējiet darba grafiku.

UZMANĪBU!

Izlasiet visus drošības norādījumus, instrukcijas, attēlus un datus, ko saņemat kopā ar ierīci. Turpmāk sniegto norādījumu neievērošana var kļūt par cēloni elektriskajam triecienam, ugunsgrēkam un/vai smagam savainojumam.

Pēc izlasīšanas uzglabājiet šos noteikumus turpmāki izmantošanai.

DROŠĪBAS INSTRUKCIJA SLĪPMAŠINĀM

Savāktie slīpēšanas putekļi no tādu slīpēšanas virsmu pārklājumiem kā poliuretāns, linsēklu eļļa utt. var pašai degties slīpmašīnas putekļu maisīņā vai citur un izraisīt ugunsgrēku. Lai samazinātu ugunsgrēka risku, vienmēr slīpēšanas laikā bieži (ik pēc 10–15 minūtēm) iztukšojiet putekļu maisīņu un nekad neglabājiet un neatstājiet slīpmašīnu ar neiztukšotu putekļu maisīņu. Turklāt ievērojiet pārklājumu ražotāju norādījumus.

CITAS DROŠĪBAS UN DARBA INSTRUKCIJAS

Nelik rokas mašīnas darbības laikā.

Skaidas un atlūzas nedrīkst ņemt ārā, kamēr mašina darbojas. Jāizmanto aizsargaprīkojums. Strādājot ar mašīnu, vienmēr jānēsā aizsargbrilles.

Putekļi, kas rodas strādājot, bieži ir kaitīgi veselībai, un tiem nevajadzētu nokļūt ķermenī. Vajag izmantot putekļusūcēju un bez tam nēsāt masku, kas pasargā no putekļiem. Nosēdušos putekļus vajag aizvērt, piem. nosūknēt.

Nedrīkst apstrādāt materiālus, kas rada draudus veselībai (piemēram, azbestu).

Ja parādās stipras svārstības vai citi defekti, mašīnu vajag nekavējoties izslēgt. Mašīnu vajag nekavējoties pārbaudīt, lai noteiktu traucējumu cēloņus.

Apstrādājamā detaļa, ja to netur pašsvars, ir stingri jānostiprina.

Sakarā ar to, ka var izraisīt īsslēdzienu, dzesēšanas atverēs nedrīkst iekļūt nekādi metāla priekšmeti.

UZMANĪBU! Lai novērstu īssavienojuma izraisītu aizdegšanās, savainojumu vai produkta bojājuma risku, neiegremdējiet instrumentu, maināmo akumulatoru vai uzlādes ierīci šķidrums un rūpējieties par to, lai ierīcēs un akumulatoros neiekļūtu šķidrums. Koroziju izraisoši vai vadītspējīgi šķidrumi, piemēram, sālsūdens, noteiktas ķīmikālijas, balinātāji vai produkti, kas satur balinātājus, var izraisīt īssavienojumu.

Drīks izmantot tikai oriģinālos firmas Milwaukee slīpēšanas un pulēšanas instrumentus ar pašlīpstošiem stiprinājumiem.

Akumulatorus un lādētājus nedrīkst taisyt vajā un tie jāuzglabā sausās telpās.

M18 sistēmas akumulatorus lādēt tikai ar M18 sistēmas lādētājiem.

NOTEIKUMIEM ATBILSTOŠS IZMANTOJUMS

Slīpmašīnu var izmantot koka, plastmasas, metāla, pildvielas un krāsotu virsmu slīpēšanai.

Izmantojiet ražojumu tikai tam paredzētajiem mērķiem.

PĀRĒJIE RISKI

Arī, pareizi lietojot ierīci, nav iespējams izslēgt pilnīgi visus riskus. Lietojot ierīci, var rasties šāds apdraudējums, kam lietotājam jāpievērš īpaša uzmanība:

- Vibrācijas radītas traumas. Turiet ierīci aiz tam paredzētajiem rokturiem un ierobežojiet darba un ekspozīcijas laiku.
- Trokšnis var bojāt dzirdi. Lietojiet dzirdes aizsargierīces un ierobežojiet ekspozīcijas laiku.
- Netīrumu daļiņas var traumēt acis. Vienmēr valkājiet aizsargbrilles, stingras, garas bikses, cimdus un stingrus apavus.
- Indīgu putekļu ieelpošana.

NORĀDĪJUMI LITĪJA JONU AKUMULATORIEM

Litija jonu akumulatoru lietošana

Akumulātori, kas ilgāku laiku nav izmantoti, pirms lietošanas jāuzlādē.

Pie temperatūras, kas pārsniedz 50°C, akumulatoru darbība tiek negatīvi ietekmēta. Vajag izvairīties no ilgākas saules un karstuma iedarbības.

Lādētāja un akumulatoru pievienojuma kontakti jāuztur tīri.

Lai baterijas darba ilgums būtu optimāls, pēc iekārtas izmantošanas tā jāuzlādē.

Lai akumulatori kalpotu pēc iespējas ilgāku laiku, tos pēc uzlādes ieteicams atvienot no lādētāj ierīces.

Akumulatora uzglabāšana ilgāk kā 30 dienas: uzglabāt akumulatoru pie aptuveni 27° C un sausā vietā. Uzglabāt akumulatoru uzlādes stāvoklī aptuveni pie 30%-50%. Uzlādēt akumulatoru visus 6 mēnešus no jauna.

Litija jonu akumulatoru aizsardzība pret pārslodzi

Akumulatoru pārslodzuma gadījumos, esot ļoti lielam elektroenerģijas patēriņam, piem., ārkārtīgi augsts griezes moments, pēkšņa apstāšanās vai īssavienojums, elektriskais darbarīks 5 sekundes mirgo tik ilgi, kamēr akumulators ir atdzisis. Darbu varat turpināt, kad uzlādes indikators vairs nedeg.

Lai to atkal ieslēgtu, atlaidiet ieslēgšanas pogu un tad to ieslēdziet no jauna. Esot ārkārtīgi augstam noslogojumam, akumulators sakarst pārāk daudz. Šādā gadījumā visas uzlādes indikatora lampiņas mirgo tik ilgi, kamēr akumulators ir atdzisis. Darbu varat turpināt, kad uzlādes indikators vairs nedeg.

Litija jonu akumulatoru transportēšana

Uz litija jonu akumulatoriem attiecas noteikumi par bīstamo kravu pārvadāšanu.

Šo akumulatoru transportēšana jāveic saskaņā ar vietējiem, valsts un starptautiskajiem normatīvajiem aktiem un noteikumiem.

Patērētāja darbības, pārvadājot šos akumulatorus pa autoceļiem, nav reglamentētas.

Uz litija jonu akumulatoru komerciālu transportēšanu, ko veic ekspedīcijas uzņēmums, attiecas bīstamo kravu pārvadāšanas noteikumi. Sagatavošanas darbus un transportēšanu drīkst veikt tikai atbilstoši apmācīts personāls. Viss process jāvada profesionāli.

Veicot akumulatoru transportēšanu, jāievēro:

Pārlicinieties, ka kontakti ir aizsargāti un izolēti, lai izvairītos no īssavienojumiem.

Pārlicinieties, ka akumulators iepakojumā nevar paslīdēt. Bojātus vai tekošus akumulatorus nedrīkst transportēt. Plašāku informāciju Jūs varat saņemt no ekspedīcijas uzņēmuma.

DARBA NORĀDĪJUMI

Vispārīga slīpēšana ar nenoteikti orbitālām slīpmašīnām

Izmantojot nenoteikti orbitālās slīpmašīnas, ir jāņem vērā tālāk norādītais.

- Atšķirībā no lielākās daļas slīpmašīnu nenoteikti orbitālās slīpmašīnas ir jānovieto uz apstrādājamās virsmas PIRMS darbarīka ieslēgšanas. Ja slīpmašīna ir ieslēgta pirms novietošanas uz apstrādājamās virsmas, brīvi kustīgā pamatne var rotēt ar ātrumu, kas pēc uzlikšanas uz apstrādājamās virsmas var radīt skrāpējumus.

- Atšķirībā no lielākās daļas slīpmašīnu, nenoteikti orbitālās slīpmašīnas var pārvietot pa apstrādājamo virsmu jebkurā virzienā (ja apstrādājamā virsma ir koks — neatkarīgi no šķiedras virziena).

- Slīpmašīnai piemērotā spiediena atšķirība mainīs rotācijas ātrumu. Smalkai apstrādei iesākams izvēlēties nelielu spiedienu, bet rupjai apstrādei — vidēju spiedienu. Pārmērīgs spiediens neatļauj pietiekamu pamatnes rotāciju.

- Turiet slīpmašīnu plakaniski uz apstrādājamās virsmas. Slīpmašīnas sagāšana vai pamatnes malu izmantošana var radīt nevienmērīgu apdari un samazināt pamatnes darbību.

- Virziet slīpmašīnu pa apstrādājamo virsmu plašos, vienmērīgos vilcienos. Pārāk ilga vienas vietas apstrāde var radīt griezumus un nevienmērīgus rezultātus.

- Bieži pārbaudiet apstrādājamo virsmu, nenoteikti orbitālās slīpmašīnas darbojas agresīvāk nekā parastās orbitālās slīpmašīnas.

- Novietojiet slīpmašīnu uz apstrādājamās virsmas un to ieslēdziet.

- Turiet slīpēšanas loksni plakaniski uz apstrādājamās virsmas, virziet slīpmašīnu pa apstrādājamo virsmu un izmantojiet garus, izvērstus vilcienus.

- Sāciet slīpēšanu ar rupjas graudainības smilšpapīru un pakāpeniski pārejiet uz arvien smalkāku smilšpapīru, līdz ir sasniegta vēlamā apdare. Piemēram, izmantojot slīpmašīnu kokam, sāciet ar graudainību 80, turpiniet ar graudainību 120, pēc tam ar graudainību 180 utt.

Krāsas vai lakas noņemšana

- Noņemot vairākas krāsas vai lakas kārtas, pēc iespējas vairāk noņemiet, izmantojot krāsas šķīdinātāju vai lakas noņēmēju.

- Noskrāpējiet atlikumu ar špakteles nazi vai citu skrāpēšanas darbarīku un atļaujiet virsmai atdzist un nožūt pirms sākat tās apstrādi ar slīpmašīnu.

- Lai izvairītos no smilšpapīra iestrēgšanas, izvēlieties rupjas graudainības smilšpapīru.

- Virziet slīpmašīnu pāri jaunām zonām, lai izvairītos no vecā pārklājuma (krāsas vai lakas) sasiļšanas un mīkstapšanas.

- Darbojieties platos, pārklājošos vilcienos, lai panāktu vienmērīgu apdari.

- Kad apstrādājamā virsma sāk palikt redzama cauri vecajam pārklājumam, nomainiet smilšpapīru uz vidēju graudainību, lai izvairītos no apstrādājamās virsmas saskrāpēšanas. Pakāpeniski mainiet uz smalkākas graudainības smilšpapīru, līdz sasniedzat vēlamu apdari.

TĪRĪŠANA

Vajag vienmēr uzmanīti, lai būtu tīras dzesēšanas atveres.

APKOPE

Izmantojiet tikai firmu Milwaukee piederumus un firmas Milwaukee rezerves daļas. Lieciet nomainīt detaļas, kuru nomaīņa nav aprakstīta, kādā no firmu Milwaukee klientu apkalpošanas servisiem. (Skat. brošūru "Garantija/klientu apkalpošanas serviss".)

Ja nepieciešams, klientu apkalpošanas servisā vai tieši pie firmas Techtronic Industries GmbH, Max-Eyth-Straße 10, 71364 Winnenden, Germany, var pieprasīt instrumenta numurs, kas norādīts uz jaudas paneļa.

SIMBOLI

	Pirms sākt lietot instrumentu, lūdzu, izlasiet lietošanas pamācību.
	UZMANĪBU! BĪSTAMI!
	Pirms mašīnai veikt jebkāda veida apkopes darbus, ir jāizņem arī akumulators.
	Nepielietot spēku
	Strādājot ar mašīnu, vienmēr jānēsā aizsargbrilles.
	Jānēsā piemērota maska, kas pasargā no putekļiem.



Piederumi - standartaprīkojumā neietvertas, bet ieteicamās papildus komplektācijas detaļas no piederumu programmas.



Neutilizējiet bateriju atkritumus, elektrisko un elektronisko iekārtu atkritumus kā nešķirotus sadzīves atkritumus. Bateriju atkritumi un elektrisko un elektronisko iekārtu atkritumi ir jāsavāc atsevišķi. Bateriju atkritumi, akumulatoru atkritumi un gaismas avotu atkritumi ir jānoņem no iekārtas. Sazinieties ar vietējo iestādi vai mazumtirgotāju, lai iegūtu padomus par otrreizējo pārstrādi un savākšanas punktu. Atkarībā no vietējiem noteikumiem, mazumtirgotājiem var būt pienākums bez maksas pieņemt atpakaļ bateriju atkritumus un elektrisko un elektronisko iekārtu atkritumus. Jūsu ieguldījums bateriju atkritumu un elektrisko un elektronisko iekārtu atkritumu atkārtotā izmantošanā un otrreizējā pārstrādē palīdz samazināt pieprasījumu pēc izejvielām. Bateriju atkritumos, īpaši tajos, kas satur litiju, un elektrisko un elektronisko iekārtu atkritumos ir vērtīgi, otrreiz pārstrādājami materiāli, kas var negatīvi ietekmēt vidi un cilvēku veselību, ja tie netiek utilizēti videi draudzīgā veidā. No iekārtu atkritumiem izdzēsiet personāla datus, ja tādi ir.

	Tukšgaitas apgriezību skaits
	Voltāža
	Līdzstrāva
	Eiropas atbilstības zīme
	Lielbritānijas atbilstības zīme
	Ukrainas atbilstības zīme
	Eirāzijas atbilstības zīme

SIMBOLIAI

	Prieš pradėdami dirbti su prietaisu, atidžiai perskaitykite jo naudojimo instrukciją.
	DĖMESIO! ĮSPĖJIMAS! PAVOJUS!
	Prieš atlikdami bet kokius darbus įrenginyje, išimkite keičiamą akumuliatorių.
	Nenaudoti jėgos.
	Dirbdami su įrenginiu visada nešiokite apsauginius akinius.
	Dėvėti tinkamą apsauginę kaukę nuo dulkių.
	Priedas – neįeina į tiekimo komplektaciją, rekomenduojamas papildymas iš priedų asortimento.
	Neišmeskite baterijų atliekų, elektros ir elektroninės įrangos atliekų kaip nerūšiuotų komunalinių atliekų. Baterijų ir elektros bei elektroninės įrangos atliekos turi būti surenkamos atskirai. Iš įrangos turi būti pašalintos baterijų, akumuliatorių atliekos ir šviesos šaltiniai. Patarimų dėl perdirbimo ir surinkimo vietos kreipkitės į vietinę instituciją arba pardavėją. Priklausomai nuo vietos teisės aktų, mažmenininkai gali būti įpareigoti nemokamai priimti atgal senas baterijas, seną elektros ir elektronikos įrangą. Jūsų indėlis į pakartotinį baterijų ir elektros bei elektroninės įrangos atliekų panaudojimą ir perdirbimą padeda sumažinti žaliavų poreikį. Akumuliatorių, ypač kurių sudėtyje yra ličio, ir elektros bei elektroninės įrangos atliekose yra vertingų, perdirbamų medžiagų, kurios gali neigiamai paveikti aplinką ir žmonių sveikatą, jei jos nebus šalinamos aplinką tausojančiu būdu. Išrinkite personalo duomenis iš įrangos atliekų, jei tokių yra.
n_0	Sūkių skaičius laisva eiga
v	Įtampa
	Nuolatinė srovė
	Europos atitikties ženklas
	Britanijos atitikties ženklas
	Britanijos atitikties ženklas
	Ukrainos atitikties ženklas
	Eurazijos atitikties ženklas

TEHNILISED ANDMED **M18 BQSS**

Konstruksioon	vibrolihvimismasin
Tootmisnumber	4914 11 01 XXXXXX MJJJJ
Vahetatava aku pinge	18 V \equiv
Pöörlemiskiirus tühjooksul	11.000 - 13.000 min ⁻¹
Pöörlemisingi \varnothing	1,6 mm
Lihvplaadi mõõtmed	113 x 104 mm
Kaal vastavalt EPTA-protseduurile 01/2014 (Li-Ion 2,0 Ah ... 12,0 Ah)	1,66 ... 2,72 kg
Soovituslik keskkonna temperatuur töötamiseks	-18 ... +50 °C
Soovituslikud akupakid	M18B...; M18HB...
Soovituslik laadija	M12-18...; M1418C6
Müra andmed: Mõõteväärtused on kindlaks tehtud vastavalt normile EN 62841. Seadme tüüpiline hinnanguline (müratase):	
Helirõhutase / Määramatus K	78,28 dB (A) / 3 db (A)
Helivõimsuse tase / Määramatus K	89,28 dB (A) / 3 db (A)
Kandke kaitseks kõrvaklappe!	
Vibratsiooni andmed: Vibratsiooni koguväärtus (kolme suuna vektorsummmõõdetud EN 62841 järgi.	
Vibratsiooni emissiooni väärtus a_{hv} / Määramatus K	5,23 m/s ² / 1,50 m/s ²

⚠ TÄHELEPANU!

Sellel teabelehel toodud vibratsiooni- ja müraemissioon on mõõdetud standardis EN 62841 kirjeldatud standarditud testiga ning seda võib kasutada tööriistade omavaheliseks võrdlemiseks. Testi võib kasutada kokkupuute esialgseks hindamiseks. Deklareeritud vibratsiooni- ja müratase puudutab tööriista põhikasutust. Kui tööriista kasutatakse muuks otstarbeks, teistsuguste tarvikutega või tööriista hooldatakse halvasti, võivad vibratsioon ja müraemissioon erineda. See võib kokkupuudetaset kogu tööajal oluliselt suurendada. Vibratsiooni ja müraga kokkupuute hinnangulise taseme juures tuleb arvesse võtta ka aega, kui tööriist on välja lülitatud või töötab, kuid sellega ei tehta tööd. See võib kokkupuudetaset kogu tööaja kohta oluliselt vähendada. Tehe kindlaks täiendavad ohutusmeetmed operatori kaitsmiseks vibratsiooni ja/või müra eest, näiteks: hooldage tööriista ja tarvikuid, hoidke käed soojas, vaadake üle töökorraldus.

⚠ TÄHELEPANU! Lugege kõik seadmega kaasas olevad ohutusjuhised, juhendid, joonised ja andmed läbi. Järgnevalt toodud juhiste eiramise tagajärjeks võib olla elektrilöök, tulekahju ja/või rasked vigastused.

Hoidke kõik ohutusnõuded ja juhised edasiseks kasutamiseks hoolikalt alles.

OHUTUSJUHISED LIHVIJATELE

Lihvimispinna katetest nagu polüuretaanid, liinaseemneõli jms kogunenud lihvimitolm võib lihvimismasina tolmukotis või mujal süttida ja põhjustada tulekahju. Tuleohtu vähendamiseks tühjendage lihvimise ajal tolmukotti sagedasti (10-15 minuti järel) ning ärge kunagi hoiustage ega jätke lihvijat seisma, eelnevalt tolmukotti täielikult tühjendamata. Järgige ka pinnakatete tootjate soovitusi.

EDASISED OHUTUS- JA TÖÖJUHISED

Ärge pange kätt töötava masina ohupiirkonda. Puru ega pilpaid ei tohi eemaldada masina töötamise ajal. Kasutada kaitsevarustust. Masinaga töötamisel kanda alati kaitseprille.

Töötamisel tekkev tolm on sageli tervistkahjustav ning ei tohiks organismi sattuda. Kasutage tolmüraimist ning kandke täiendavalt sobivat tolmukaitsemaski. Kogunenud tolm eemaldage põhjalikult, nt imemisega. Töödelda ei tohi materjale, millest lähtub oht tervisele (nt asbest). Lülitage seade välja kohe, kui tekib märgatav vibratsioon või märkate muid puudusi. Kontrollige masin üle, et põhjus kindlaks teha. Töödeldav toorik tuleb kinnitada, kui ta ei seisa oma raskusega paigal. Lühiseohtu tõttu ei tohi ohutuspiiludesse sattuda metalloosi.

TÄHELEPANU! Lühisest põhjustatud tuleohtu, vigastuste või toote kahjustuste vältimiseks ärge kastke tööriista, vahetusakut ega laadimiseadet vedelikku ning jälgige, et vedelikke ei tungiks seadmetesse ega akusse. Korrodeeruvad või elektrit juhtivad vedelikud, nagu soolvesi, teatud kemikaalid ja pleegitusained või pleegitusained sisaldavad tooted, võivad põhjustada lühist. Kasutage ainult originaalseid Milwaukee isekinnituv takjaskattega lihvimis- ja poleerimistöörõistu. Ärge avage vahetatavaid akusid ega laadijaid ning ladustage neid ainult kuivades ruumides. Kaitske niiskuse eest. Laadige süsteemi M18 vahetatavaid akusid ainult süsteemi M18 laadijatega.

KASUTAMINE VASTAVALT OTSTARBELE

Lihvijat saab kasutada puidu, plasti, metalli, täite- ja värvipindade lihvimiseks. Ärge kasutage toodet viisidel, mida ei ole toodud kasutusotstarbe peatükis.

JÄÄKOHUD

Jääkohud ei ole välistatud ka otstarbekohase kasutamise korral. Kasutamisel võivad tekkida järgmised ohud, millele kasutaja peab erilist tähelepanu pöörama:

- Vibratsioonist põhjustatud vigastused. Hoidke seadet selleks ette nähtud käepidemetest ja piirake töö- ning toimeaega.
- Mürasaaste võib põhjustada kuulmekahjustusi. Kandke kuulmekaitset ja piirake toimeaega.
- Mustuseosakestest põhjustatud silmavigastused. Kandke alati kaitseprille, vastupidavaid pikki pükse, kindaid ning tugevaid jalatseid.
- Mürgiste tolmude sissehingamine

LIITIUMIOONAKUDE JUHISED

Liitiumioonakude kasutus

Pikemat aega mittekasutatud akusid laadige veel enne kasutamist.

Temperatuur üle 50 °C vähendab vahetatava aku töövõimet. Vältige pikemat soojenemist päikese või kütteseadme mõjul. Hoidke laadija ja vahetatava aku ühenduskontaktid puhtad.

Optimaalse patarei eluea tagamiseks, pärast kasutamist lae patareiplokk täielikult.

Akud tuleks võimalikult pika kasutusea saavutamiseks pärast täislaadimist laadijast välja võtta.

Aku ladustamisel üle 30 päeva:
Ladustage akut kuivas kohas u 27°C juures.
Ladustage akut u 30-50% laetusseisundis.
Laadige aku iga 6 kuu tagant täis.

Liitiumioonakude ülekoormuskaitse

Aku ülekoormamisel kõrge voolutarbimisega, nt puuri blokeerumisel, lühise tekkimisel või ülikõrgetel pööretel, vibreerib elektritööriist 5 sekundit, laadimistuli vilgub ja tööriist liitub automaatselt välja.

Uuesti sisse lülitamiseks tuleb päästik esmalt vabastada ning seejärel uuesti alla suruda. Ülisuurel koormusel võib aku kuumeneda kõrgete temperatuurideni. Sellisel juhul vilguvad kõik laadimistulukesed kuni aku jahtumiseni. Peale laadimistulukeste kustumist võite tööd jätkata.

Liitiumioonakude transportimine

Liitiumioonakud on allutatud ohtrike ainete transportimisega seonduvatele õigusaktidele.

Nende akude transportimine peab toimuma kohalikest, siseriiklikest ja rahvusvahelistest eeskirjadest ning määrustest kinni pidades.

Tarbijad tohivad neid akusid edasiste piiranguteta tänaval transportida.

Liitiumioonakude kommertstransport ekspedeerimisettevõtete kaudu on allutatud ohtrike ainete transportimisega seonduvatele õigusaktidele. Tarne-ettevalmistusi ja transporti tohivad teostada eranditult vastavalt koolitatud isikud. Kogu protsessi tuleb asjatundlikult jälgida.

Akude transportimisel tuleb järgida järgmisi punkte:

Tehke kindlaks, et kontaktid on lühise vältimiseks kaitstud ja isoleeritud.

Pöörake tähelepanu sellele, et akupakk ei saaks pakendis nihkuda. Kahjustatud või välja voolanud akusid ei tohi kasutada. Pöörduge edasiste juhiste saamiseks ekspedeerimisettevõtte poole.

TÖÖJUHISED

Üldine lihvimine juhusliku orbiidiga lihvimismasin

Juhusliku orbiidiga lihvimismasinat kasutamisel tuleb meeles pidada järgmist:

- Erinevalt enamikust lihvimismasinatest tuleks juhusliku orbiidiga lihvimismasinad asetada töödeldavale detailile ENNE tööriista käivitamist. Kui lihvimismasin käivitatakse enne selle töödeldavale detailile asetamist, võib vabalt ujuv padi pöörelda kiirusega, mis võib põhjustada kriimustusi, kui see lõpuks töödeldavale detailile asetatakse.
- Erinevalt enamikust lihvimismasinatest saab juhusliku orbiidiga lihvimismasinad liigutada üle töödeldava detaili igas suunas (puidu puhul olenemata soonte suunast).
- Lihvimismasinale rakendatav erinev surve mõjutab selle pöörlemiskiirust. Peene töö puhul on soovitatav kasutada kergert survet, raskemate tööde puhul mõõdukat survet. Liigne surve ei lase padjal piisavalt pöörelda.
- Hoidke lihvimispadi töödeldaval detailil tasaselt. Lihvimismasina kallutamine või padja servade kasutamine võib kaasa tuua ebahütlase viimistluse ja lühendada padja kasutusiga.
- Liigutage lihvimismasinat laia ühtlaste liigutustega üle töödeldava detaili. Liiga pikk lihvimine ühes kohas võib põhjustada takkeid ja ebahütlaseid tulemusi.

- Kontrollige töödeldavat detaili sageli, juhusliku orbiidiga lihvimismasinat töötavad agressiivsemalt kui lihtsa orbiidiga lihvimismasinad.

- Asetage lihvimismasin töödeldavale detailile ja lülitage lihvimismasin sisse.
- Hoidke lihvimislehte tasaselt töödeldava detaili vastas, hoidke lihvimismasinat üle töödeldava detaili liikumas ja kasutage pikki pühkimisliigutusi.
- Alustage lihvimist jämedateralise liivapaberiga ja kasutage järk-järgult peenemat ja peenemat liivapaberit, kuni saavutate soovitud viimistluse. Näiteks kui kasutate lihvimismasinat puidul, alustage liivateraga 80, selle järgselt 120, seejärel 180 ja nii edasi.

Värvi või laki eemaldamine

- Mitme värvi- või lakikihi eemaldamisel eemaldage nii palju kui võimalik värvilahusti või lakieemaldiga.
- Kraapige jäägid pahtlilabida või muu kraapimisvahendiga ära ning laske enne pinna töötlemist lihvimismasinaga sellel jahtuda ja kuivada.
- Valige jämedateraline liivapaberileht, et vältida liivapaberi ummistumist.
- Liigutage lihvimismasinat pidevalt uutel aladel, et vältida vana katte (värv või lakk) kuumenemist ja pehmenemist.
- Töötage laiade, kattuvate tõmmetega, et saavutada ühtlane viimistlus.
- Kui töödeldav detail hakkab läbi vana katte paistma, minge üle keskmise karedusega liivapaberilehele, et vältida töödeldava detaili pinna kriimustamist. Kasutage järk-järgult peeneteralist liivapaberit, kuni saavutate soovitud viimistluse.

PUHASTAMINE

Hoidke masina õhutuspilud alati puhtad.

HOOLDUS

Kasutage ainult Milwaukeee tarvikuid ja Milwaukeee tagavaraosi. Detailid, mille väljavahetamist pole kirjeldatud, laske välja vahetada Milwaukeee klienditeeninduspunktis (vaadake brošüüri garantii / klienditeeninduste aadressid).

Vajaduse korral võite tellida seadme läbilõikejoonise, näidates ära masina tüübi ja andmesildil oleva numbri. Selleks pöörduge klienditeeninduspunkti või otse: Techtronic Industries GmbH, Max-Eyth-Straße 10, 71364 Winnenden, Germany.

SÜMBOLID

	Palun lugege enne käikulaskmist kasutusjuhend hoolikalt läbi.
	ETTEVAATUST! TÄHELEPANU! OHUD!
	Enne kõiki töid masina kallal võtke vahetatav aku välja.
	Ärge kasutage jõudu.
	Masinaga töötades kandke alati kaitseprille.
	Kanda sobivat kaitsemaski.

	Tarvikud - ei kuulu tarne komplekti, soovitatav täiendus on saadaval tarvikute programmis.
	Ärge kõrvaldage patareide, elektri- ja elektroonika-seadmete jääkmeid sorteerimata olmejäätmetena. Akude, elektri- ja elektroonikaseadmete jääkmed tuleb koguda eraldi. Akude, akumulaatorite ja valgusallikate jääkmed tuleb seadmetest eemaldada. Kõige oma kohalikust omavalitsusest või jaemüüjalt nõuandeid ringlussevõtu ja kogumispunkti kohta. Olenevalt kohalikest määrustest võib jaemüüjal lasuda kohustus võtta akude, elektri- ja elektroonikaseadmeid vastu tasuta. Teie panus akude, elektri- ja elektroonika-seadmete jääkmete korduskasutusse ja ringlussevõttu aitab vähendada nõudlust toorainete järele. Akud, eriti liitiumakud ning elektri- ja elektroonikaseadmete jääkmed, sisaldavad väärtuslikke taaskasutatavaid materjale, mis võivad kahjustada keskkonda ja inimeste tervist, kui neid ei kõrvaldata keskkonnasõbralikul viisil. Kustutage kõrvaldatavatest seadmetest isiklikud andmed, kui neid seal on.
n_0	Pöörlemiskiirus tühjooksul
V	Voltaaž
	Alisvool
	Euroopa vastavusmärk
	Ühendkuningriigi vastavusmärk
	Ukraina vastavusmärk
	Euraasia vastavusmärk

ТЕХНИЧЕСКИЕ ДАННЫЕ	M18 BQSS
Модель	Виброшлифовальная машина
Серийный номер изделия	4914 11 01 XXXXXX MJJJJ
Вольтаж аккумулятора	18 V \approx
Число оборотов без нагрузки	11.000 - 13.000 min ⁻¹
Диаметр осцилляционных перемещений	1,6 mm
Размеры шлифовальной платформы	113 x 104 mm
Вес согласно процедуре EPTA 01/2014 (Li-Ion 2,0 Ah ... 12,0 Ah)	1,66 ... 2,72 kg
Температура окружающей среды, рекомендованная для эксплуатации	-18 ... +50 °C
Рекомендованные аккумуляторные блоки	M18B...; M18HB...
Рекомендованные зарядные устройства	M12-18...; M1418C6

Информация по шумам: Значения замерялись в соответствии со стандартом EN 62841.

Уровень шума прибора, определенный по показателю A, обычно составляет:

Уровень звукового давления / Небезопасность К 78,28 dB (A) / 3 db (A)

Уровень звуковой мощности / Небезопасность К 89,28 dB (A) / 3 db (A)

Пользуйтесь приспособлениями для защиты слуха.

Информация по вибрации: Общие значения вибрации (векторная сумма трех направлений) определены в соответствии с EN 62841.

Значение вибрационной эмиссии a_{hv} / Небезопасность К 5,23 m/s² / 1,50 m/s²

ВНИМАНИЕ!

Заявленные значения вибрации и шумового излучения, указанные в настоящем информационном листе, были измерены согласно стандартизованному методу испытания согласно EN 62841 и могут использоваться для сравнения одного инструмента с другим. Они могут применяться для предварительной оценки воздействия на организм человека.

Указанные значения вибрации и шумового излучения действительны для основных областей применения инструмента. Однако если инструмент используется в других областях применения или с другими принадлежностями либо проходит ненадлежащее обслуживание, значения вибрации и шумового излучения могут отличаться. Это может существенно увеличить уровень воздействия на организм на протяжении общего периода работы.

При оценке уровня воздействия вибрации и шумового излучения на организм также необходимо учитывать периоды, когда инструмент выключен, или когда он работает, но фактически не используется для выполнения работы. Это может существенно сократить уровень воздействия на организм на протяжении общего периода работы.

Определите дополнительные меры для защиты оператора от воздействия вибрации и/или шума, такие как обслуживание инструмента и его принадлежностей, сохранение рук в тепле, организация графиков работы.

ВНИМАНИЕ! Ознакомьтесь с правилами техники безопасности, техническими регламентами, изображениями и данными, прилагаемыми к устройству. При несоблюдении нижеследующих указаний возможно поражение электротоком, возникновение пожара и/или получение серьезных травм.

Сохраняйте эти инструкции и указания для будущего использования.

ИНСТРУКЦИЯ ПО БЕЗОПАСНОЙ ЭКСПЛУАТАЦИИ ШЛИФОВАЛЬНЫХ ИНСТРУМЕНТОВ

Пыль, образующаяся от шлифования покрытий из полиуретанов, льняной олифы и других материалов, собранная в пылесборнике шлифовального инструмента или в другом месте, может самовоспламениться и вызвать возгорание. Для снижения риска возгорания во время шлифования следует регулярно (через каждые 10–15 минут) опорожнять пылесборный мешок и ни в коем случае не хранить и не оставлять шлифовальный инструмент с неполностью опорожненным пылесборным мешком. Также необходимо выполнять рекомендации производителей покрытий.

ДОПОЛНИТЕЛЬНЫЕ УКАЗАНИЯ ПО БЕЗОПАСНОСТИ И РАБОТЕ

Никогда не касайтесь опасной режущей зоны в момент работы.

Не убирайте опилки и обломки при включенном инструменте.

Пользоваться средствами защиты. Работать с инструментом всегда в защитных очках.

Пыль, образующаяся при работе с данным инструментом, может быть вредна для здоровья и попасть на тело. Пользуйтесь системой пылеудаления и надевайте подходящую защитную маску. Тщательно убирайте скапливающуюся пыль (напр. пылесосом).

Запрещается обрабатывать материалы, которые могут нанести вред здоровью (напр., асбест).

Немедленно выключайте машину если почувствовали ошущимую вибрацию или при других неисправностях. Проверьте инструмент чтобы обнаружить причину неисправности.

Если изделие не достаточно тяжелое и неустойчивое, то его необходимо закрепить.

Не приближайте металлические предметы к вентиляционным отверстиям из-за опасности короткого замыкания!

ВНИМАНИЕ! Для предотвращения опасности пожара в результате короткого замыкания, травм и повреждения изделия не опускайте инструмент, сменный аккумулятор или зарядное устройство в жидкости и не допускайте попадания жидкостей внутрь устройств или аккумуляторов. Коррозионные и проводящие жидкости, такие как соленый раствор, определенные химикаты, отбеливающие средства или содержащие их продукты, могут привести к короткому замыканию.

Пользуйтесь только оригинальными шлифовальными и полировальными инструментами Milwaukee с крепежом типа "велькро".

Никогда не вскрывайте аккумуляторы или зарядные устройства и храните их только в сухих помещениях. Следите, чтобы они всегда были сухими.

Для зарядки аккумуляторов модели M18 используйте только зарядным устройством M18.

ИСПОЛЬЗОВАНИЕ

Шлифовальный инструмент предназначен для шлифования деревянных, пластиковых, металлических, шпаклеванных и окрашенных поверхностей.

Не используйте этот продукт для любой другой цели; используйте его только по указанному целевому назначению.

ОСТАТОЧНЫЕ ОПАСНОСТИ

Даже при надлежащем использовании нельзя исключить все остаточные риски. При использовании могут возникнуть такие опасности, на которые пользователь должен обратить особое внимание:

- Травмы вследствие вибрации. Держите прибор за предусмотренные для этого рукоятки и ограничивайте время работы и экспозиции.
- Шумовое воздействие может привести к повреждению слуха. Носите защитные наушники и ограничивайте продолжительность экспозиции.
- Травмы глаз, вызванные частицами загрязнений. Всегда надевайте защитные очки, плотные длинные брюки, рукавицы и прочную обувь.
- Вдыхание ядовитой пыли.

УКАЗАНИЯ ДЛЯ ЛИТИЙ-ИОННЫХ АККУМУЛЯТОРОВ

Использование литий-ионных аккумуляторов

Перед использованием аккумулятора, которым не пользовались некоторое время, его необходимо зарядить.

Температура свыше 50°C снижает работоспособность аккумуляторов. Избегайте продолжительного нагрева или прямого солнечного света (риск перегрева).

Контакты зарядного устройства и аккумуляторов должны содержаться в чистоте.

Для обеспечения оптимального срока службы аккумулятор необходимо полностью заряжать после использования прибора. Для достижения максимально возможного срока службы аккумулятора после зарядки следует вынимать из зарядного устройства.

При хранении аккумулятора более 30 дней:

Храните аккумулятор при 27°C в сухом месте.

Храните аккумулятор с зарядом примерно 30% - 50%.

Каждые 6 месяцев аккумулятор следует заряжать.

Защита литий-ионных аккумуляторов от перегрузки

В случае перегрузки аккумулятора по причине слишком большого потребления электроэнергии, при экстремально большом крутящем моменте, внезапной остановке или коротком замыкании, электроприбор вибрирует в течение 5 секунд, загорается индикатор заряда аккумулятора и электроприбор автоматически выключается. ть работу.

Для повторного включения следует отжать кнопку включения и потом снова включить. При слишком высоких нагрузках аккумулятор перегревается. В этом случае загораются все лампы индикатора заряда аккумулятора. Когда аккумулятор остынет и лампы погаснут – можно продолжит

Транспортировка литий-ионных аккумуляторов

Литий-ионные аккумуляторы в соответствии с предписаниями закона транспортируются как опасные грузы.

Транспортировка этих аккумуляторов должна осуществляться с соблюдением местных, национальных и международных предписаний и положений.

Эти аккумуляторы могут перевозиться по улице потребителем без дальнейших обязательств.

При коммерческой транспортировке литий-ионных аккумуляторов экспедиторскими компаниями действуют положения, касающиеся транспортировки опасных грузов. Подготовка к отправке и транспортировка должны производиться исключительно специально обученными лицами. Весь процесс должен находиться под контролем специалиста.

При транспортировке аккумуляторов необходимо соблюдать следующие пункты:

Убедитесь, что контакты защищены и изолированы во избежание короткого замыкания.

Следите за тем, чтобы аккумуляторный блок не соскользнул внутри упаковки. Транспортировка поврежденных или протекающих аккумуляторов запрещена. За дополнительными указаниями обратитесь к своему экспедитору.

УКАЗАНИЯ ПО РАБОТЕ

Общие правила работы с шлифовальными инструментами со случайной орбитой

При использовании шлифовальных инструментов со случайной орбитой необходимо учитывать изложенные ниже правила.

- В отличие от большинства шлифовальных инструментов шлифовальные машины со случайной орбитой следует размещать на заготовке ДО их запуска. При запуске шлифовального инструмента до размещения на заготовке скорость свободно плавающей накладки в момент размещения на заготовке может привести к появлению царапин.
- В отличие от большинства шлифовальных инструментов шлифовальные инструменты со случайной орбитой можно перемещать по заготовке в любом направлении (а если поверхность деревянная — независимо от направления волокон).
- Скорость вращения шлифовального инструмента зависит от прижимного усилия. Для тонких видов работ рекомендуется использовать легкое прижимное усилие, для более грубых — умеренное. Чрезмерное прижимное усилие будет мешать накладке вращаться с необходимой скоростью.
- Держите шлифовальную накладку параллельно заготовке. Если держать шлифовальный инструмент под наклоном или использовать края накладки, это может стать причиной неровностей на поверхности и привести к сокращению срока службы накладки.
- Работая со шлифовальным инструментом, выполняйте широкие равномерные движения по всей поверхности заготовки. Слишком продолжительная шлифовка в одном и том же месте может стать причиной появления углублений и повреждений.
- Регулярно проверяйте состояние заготовки: шлифовальные инструменты со случайной орбитой работают более агрессивно, чем обычные орбитальные машины.

- Разместите шлифовальный инструмент на заготовке и включите его.
- Держа шлифовальный лист параллельно заготовке, перемещайте шлифовальный инструмент по заготовке длинными широкими движениями.
- Начните шлифовку с крупнозернистой наждачной бумаги, а затем постепенно переходите на наждачную бумагу с более мелкой зернистостью, пока не будет достигнут желаемый результат. Например, при обработке деревянных поверхностей начните с зернистости 80, затем перейдите на зернистость 120, затем — на зернистость 180 и так далее.

Удаление краски или лака

- При удалении нескольких слоев краски или лака сначала снимите как можно больше материала с помощью растворителя для краски или жидкости для снятия лака.
- Соскребите остатки с помощью шпателя или другого скребкового инструмента и дайте поверхности остыть и высохнуть, прежде чем устанавливать шлифовальный инструмент на заготовку.
- Выбирайте наждачную бумагу крупной зернистости, чтобы предотвратить ее смятие.
- Постоянно перемещайте шлифовальный инструмент, чтобы избежать нагрева и размягчения старого слоя (краски или лака).
- Для обеспечения однородности поверхности работайте широкими движениями внахлест.

6. Когда сквозь старое покрытие будет проступать поверхность заготовки, возьмите наждачную бумагу средней зернистости, чтобы не поцарапать заготовку. Постепенно переходите на наждачную бумагу более мелкой зернистости, пока не получите желаемый результат.

СТИРКА

Всегда держите охлаждающие отверстия чистыми.

ОБСЛУЖИВАНИЕ

Пользуйтесь аксессуарами и запасными частями Milwaukee. В случае возникновения необходимости в замене, которая не была описана, обращайтесь в один из сервисных центров по обслуживанию электроинструментов Milwaukee (см. список сервисных организаций).

При необходимости может быть заказан чертеж инструмента с трехмерным изображением деталей. Пожалуйста, укажите номер и тип инструмента и закажите чертеж у Ваших местных агентов или непосредственно у Techtronic Industries GmbH, Max-Eyth-Straße 10, 71364 Winnenden, Germany.

СИМВОЛЫ

	Пожалуйста, внимательно прочтите инструкцию по использованию перед началом любых операций с инструментом.
	ВНИМАНИЕ! ПРЕДУПРЕЖДЕНИЕ! ОПАСНОСТЬ!
	Выньте аккумулятор из машины перед проведением с ней каких-либо манипуляций.
	Не применяйте силу
	При работе с инструментом всегда надевайте защитные очки.
	Надевайте противопылевой респиратор.
	Принадлежности - В стандартную комплектацию не входит, поставляется в качестве дополнительной принадлежности.



Не выбрасывайте отработавшие батареи, электрическое и электронное оборудование вместе с неотсортированными бытовыми отходами. Отработавшие батареи, а также электрическое и электронное оборудование должны быть утилизированы отдельно. Отработавшие батареи, аккумуляторы и источники света необходимо предварительно извлечь из оборудования. За дополнительной информацией по утилизации и сбору обратитесь в местные муниципальные органы или в розничный магазин. Нормативные требования в некоторых регионах могут обязывать розничные магазины бесплатно утилизировать отработавшее электрическое и электронное оборудование, а также отработавшие батареи. Повторное использование и переработка отработавших батарей, а также старого электронного и электрического оборудования позволяет снизить потребность в сырьевых ресурсах. Отработавшие батареи содержат прочего литий, а электронное и электрическое оборудование — ценные перерабатываемые материалы. Однако при ненадлежащей утилизации данные компоненты могут нанести вред окружающей среде и здоровью человека. Удалите конфиденциальную информацию с оборудования при ее наличии.

n_0	Число оборотов без нагрузки
v	Напряжение
	Постоянный ток
	Европейский знак соответствия
	Британский знак соответствия
	Украинский знак соответствия
	Евразийский знак соответствия

ТЕХНИЧЕСКИ ДАННИ

	M18 BQSS
Тип	Уред за суперфиниш
Производствен номер	4914 11 01 XXXXXX MJJJJ
Напряжение на аккумулятора	18 V =
Обороты на празен ход	11.000 - 13.000 min ⁻¹
Диаметър на ексцентриковия кръг	1,6 mm
Размер на шлифовъчната пластина	113 x 104 mm
Тегло съгласно процедурата EPTA 01/2014 (Li-Ion 2,0 Ah ... 12,0 Ah)	1,66 ... 2,72 kg
Препоръчителна температура на околната среда при експлоатация	-18 ... +50 °C
Препоръчителни акумулаторни батерии	M18B...; M18HB...
Препоръчителни зарядни устройства	M12-18...; M1418C6

Информация за шума: Измерените стойности са получени съобразно EN 62841.

Оцененото с А ниво на шума на уреда е съответно:

Равнище на звуковото налягане / Несигурност К	78,28 dB (A) / 3 db (A)
Равнище на мощността на звука / Несигурност К	89,28 dB (A) / 3 dB (A)

Да се носи предпазно средство за слуха!

Информация за вибрациите: Общите стойности на вибрациите (векторна сума на три посоки) са определени в съответствие с EN 62841.

Стойност на емисии на вибрациите a_h / Несигурност К	5,23 m/s ² / 1,50 m/s ²
--	---

ВНИМАНИЕ!

Посочените в настоящия информационен лист нива на вибрации и шумови емисии са измерени в съответствие със стандартизирано изпитване, предоставено в EN 62841, и могат да се използват за сравняване на един инструмент с друг. Те може също така да се използват и за предварителна оценка на излагането на вредни въздействия.

Декларираните нива на вибрации и шумови емисии се отнасят за основните приложения на инструмента. Ако обаче инструментът се използва за други приложения, с други приспособления или не се поддържа добре, нивата на вибрации и шумови емисии могат да са различни. Това може значително да повиши нивото на излагане на вредни въздействия за общата продължителност на работата.

При оценка на нивото на излагане на въздействието на вибрации и шум следва също така да се вземе предвид времето, през което инструментът е изключен или през което е включен, но не се използва. Това може значително да понижи нивото на излагане на вредни въздействия за общата продължителност на работата.

Определете допълнителни мерки за безопасност за защита на оператора от въздействието на вибрациите и/или шума, като например поддръжка на инструмента и приспособленията, поддържането на топлината на ръцете и организацията на работата.

ВНИМАНИЕ! Прочетете всички указания за безопасност, инструкции, изображения и техническите данни, които получавате с уреда. Ако не спазвате следните указания, това може да доведе до токов удар, пожар и/или тежки наранявания.

Запазете всички указания и инструкции за безопасност за бъдещето.

ИНСТРУКЦИИ ЗА БЕЗОПАСНОСТ ПРИ РАБОТАТА С ШЛАЙФОВЕ

Събраният от покритието на шлифовъчната повърхност прах от рода на полиуретан, ленено масло и пр. може да се самозапали в торбата за прах на шлайфа или на друго място и да причини пожар. За да намалите риска от пожар, изпразвайте торбата за прах често (на всеки 10 — 15 минути), докато шлифовате и никога не оставяйте за кратко шлайфа, нито го прибирайте за съхранение, без да сте изпразнили изцяло торбата за прах. Спазвайте и препоръките на производителите на покритията.

ДОПЪЛНИТЕЛНИ УКАЗАНИЯ ЗА РАБОТА И БЕЗОПАСНОСТ

Не бъркайте в зоната на опасност на работещата машина.

Стружки или отчупени парчета да не се отстраняват, докато машина работи.

Да се използват предпазни средства. При работа с машината винаги носете предпазни очила.

При работа на открито или когато в машината могат да попаднат влага или прах, се препоръчва уредът да се свързва чрез защитен прекъсвач за утечен ток с максимално 30 mA ток на задействане.

Не е разрешена обработката на материали, които представляват опасност за здравето (напр. азбест).

Веднага изключете машината, ако се появят значителни вибрации или бъдат установени други нередности. Проверете машината за да установите причината.

Обработваният детайл трябва да бъде фиксиран здраво, ако не е достатъчно тежък, за да стои стабилно от собственото си тегло.

Във вентилационните шлицы не бива да попадат метални части поради опасност от късо съединение.

ВНИМАНИЕ! За да избегнете опасността от пожар, предизвикана от късо съединение, както и нараняванията и повредите на продукта, не потапяйте инструмента, сменяемата акумулаторна батерия или зарядното устройство в течности и не погрижете в уредите и акумулаторните батерии да не попадат течности. Течностите, предизвикващи корозия или провеждащи електричество, като солена вода, определени химикали, изобелващи вещества или продукти, съдържащи изобелващи вещества, могат да предизвикат късо съединение.

Използвайте само оригинални инструменти на Milwaukee за полиране и шлифоване със самозалепваща връзка "велкро".

Не отваряйте акумулатори и зарядни устройства и ги съхранявайте само в сухи помещения. Пазете ги от влага.

Акумулатори от системата M18 да се зареждат само със зарядни устройства от системата M18 laden.

ИЗПОЛЗВАНЕ ПО ПРЕДНАЗНАЧЕНИЕ

Шлайфът може да се използва за шлифоване на дърво, пластмаса, метал, пълнеж и боядисани повърхности.

Не използвайте уреда по различен от описаните в предназначението начини.

ОСТАТЪЧНИ РИСКОВЕ

Дори при правилна употреба, остатъчните рискове не могат да бъдат изключени. При използване могат да възникнат следните опасности, за които обслужващият трябва да внимава:

- Наранявания, причинени от вибрации. Дръжте уреда за предвидените за целта ръкохватки и ограничавайте времето на работа и експозиция.
- Шумовото натоварване може да причини слухови увреждания. Носете защита за слуха и ограничете продължителността на експозицията.
- Наранявания на очите, причинени от замърсяващи частици. Винаги носете предпазни очила, здрави дълги панталони, ръкавици и стабилни обувки.
- Вдишване на отровни прахове.

УКАЗАНИЯ ЗА ЛИТИЕВО-ЙОННИ АКУМУЛАТОРНИ БАТЕРИИ

Употреба на литиево-йонни акумулаторни батерии

Акумулатори, които не са ползвани по-дълго време, преди употреба да се дозаредят.

Температура над 50°C намалява мощността на акумулатора. Да се избягва по-продължително нагряване на слънце или от отопление.

Поддържайте чисти присъединителните контакти на зарядното устройство и на акумулатора.

За оптимална продължителност на живот след употреба батериите трябва да се заредят напълно.

За възможно по-дълга продължителност на живот батериите трябва да се изваждат от уреда след зареждане.

При съхранение на батериите за повече от 30 дни: съхранявайте батерията при прилб. 27°C и на сухо място. Съхранявайте батерията при 30 до 50 % от заряда. Зареждайте батерията на всеки 6 месеца.

Защита от претоварване при литиево-йонни акумулаторни батерии

При претоварване на батерията вследствие на голяма потребление на енергия, например изключително високи въртящи моменти, внезапно спиране или късо съединение, електрическият инструмент вибрира в продължение на 5 секунди, мига индикаторът за зареждане и електрическият инструмент се изключва сам.

За да го включите повторно, освободете превключвателя и след това включете уреда. При екстремни натоварвания батерията се нагрява значително. В този случай всички светлини на индикатора за зареждане мигат дотогава, докато батерията се охлади. След изгасване на индикатора за зареждане можете да продължите работата с уреда.

Превоз на литиево-йонни батерии

Литиево-йонните батерии са предмет на законовите разпоредби за превоз на опасни товари.

Превозът на тези батерии трябва да се извършва в съответствие с местните, националните и международните разпоредби и регламенти.

Потребителите могат да превозват тези батерии по пътя без допълнителни изисквания.

Превозът на литиево-йонни батерии от транспортни компании е предмет на законовите разпоредби за превоз на опасни товари. Подготовката на превоза и самият превоз трябва да се извършват само от обучени лица. Целият процес трябва да е под професионален надзор.

Спазвайте следните изисквания при превоз на батерии:

Уверете се, че контактите са защитени и изолирани, за да се избегне късо съединение.

Уверете се, че няма опасност от разместване на батерията в опаковката. Не превозвайте повредени батерии или такива с течове. Обърнете се към Вашата транспортна компания за допълнителни инструкции.

УКАЗАНИЯ ЗА РАБОТА

Общо шлифование с ексцентършлайф

Когато използвате ексцентършлайф, трябва да имате предвид няколко неща:

- За разлика от повечето шлайфове, ексцентършлайфовете трябва да бъдат поставяни върху работния детайл, ПРЕДИ да бъде включен инструментът. Ако ексцентършлайфът бъде стартиран, преди да бъде поставен върху работния детайл, свободно въртящата се подложка може да се върти със скорост, която да одраска повърхността на работния детайл, когато я докосне.
 - За разлика от повечето шлайфове, ексцентършлайфовете могат да бъдат движени във всяка посока по работния детайл (когато работите с дърво — независимо от посоката на влакната).
 - Промяната на силата на натиск върху шлайфа води до промяна в скоростта му на въртене. За фина работа се препоръчва лек натиск, а за груба работа — среден натиск. Прекоренният натиск не позволява на подложката да се върти добре.
 - Дръжте шлифовъчната подложка водоравно върху работния детайл. Накланянето на шлайфа или използването на ръбовете на подложката може да причини неравномерно гланциране и да съкрати експлоатационния срок на подложката.
 - Движете шлайфа по работния детайл с широки равномерни движения. Шлайфането на едно място твърде дълго може да причини издълбаване и неравномерно гланциране.
 - Проверявайте работния детайл често, защото ексцентършлайфовете работят по-агресивно от обикновените шлайфове.
1. Поставете ексцентършлайфа върху работния детайл и го включете.
 2. Дръжте шлифовъчния лист водоравно върху работния детайл; движете ексцентършлайфа по дължината на работния детайл с дълги и широки движения.
 3. Започнете да шлайфате с едра шкурка и постепенно преминете към по-фина, докато не постигнете желаните резултат. Например когато използвате шлайфа върху дърво, започнете с едрина на зърното 80, после преминете на 120, след това на 180 и т.н.

Отстраняване на боя или лак

1. Когато трябва да отстраните няколко слоя боя или лак, отстранете възможно най-много с помощта на разреждател или лакочистител.
2. Остъргвайте остатъците с шпатель или друг инструмент за остъргване, като оставите повърхността да се охлади и изсъхне, преди да я обработите с шлайфа.
3. Изберете едра шкурка, за да не се задръсти.
4. Не обработвайте едно и също място продължително време, за да избегнете прегряване и омекване на старото покритие (боя или лак).
5. Работете с широки, застъпващи се движения, за да се получи равномерно гланциране.
6. Когато работният детайл започне да се вижда изпод старото покритие, преминете на средна шкурка, за да избегнете надраскване на повърхността на работния детайл. Постепенно преминете към по-фина шкурка, докато не постигнете желаните резултат.

ПОЧИСТВАНЕ

Вентилационните шлицы на машината да се поддържат винаги чисти.

ПОДДРЪЖКА

Да се използват само аксесоари на Milwaukee и резервни части на Milwaukee. Елементи, чията подмяна не е описана, да се дадат за подмяна в сервис на Milwaukee (вижте брошурата "Гаранция и адреси на сервиси").

При необходимост можете да поискате за уреда от Вашия сервис или директно от Techtronic Industries GmbH, Max-Eyth-Straße 10, 71364 Winnenden, Germany, чертеж за в случай на експлозия, като посочите типа на машината и номер върху заводската табелка.

СИМВОЛИ

	Преди пускане на уреда в действие моля прочетете внимателно инструкцията за използване.
	ВНИМАНИЕ! ПРЕДУПРЕЖДЕНИЕ! ОПАСНОСТ
	Преди започване на каквито е да е работи по машината извадете акумулатора.
	Не използвайте сила.
	При работа с машината винаги носете предпазни очила.
	Да се носи подходяща прахозащитна маска.
	Аксесоари - Не се съдържат в обема на доставката, препоръчвано допълнение от програмата за аксесоари.
	Отпадъците от батерии, отпадъците от електрическо и електронно оборудване не трябва да се изхвърлят заедно с битовите отпадъци. Отпадъците от батерии, отпадъците от електрическо и електронно оборудване трябва да се събират и изхвърлят отделно. Преди изхвърлянето отстранявайте от уредите отпадъците от батерии, отпадъците от акумулатори и лампите. Информирайте се от местните служби или от своя специализиран търговец относно фирмите за рециклиране и местата за събиране на отпадъци. В зависимост от местните разпоредби, търговците на дребно могат са задължени да приемат безплатно върнатите обратно отпадъци от батерии и от електрическо и електронно оборудване. Дайте своя принос за намаляването на нуждите от суровини чрез повторната употреба и рециклирането на Вашите отпадъци от батерии и отпадъци от електрическо и електронно оборудване. Отпадъците от батерии (най-вече литиево-йонните батерии) и отпадъците от електрическо и електронно оборудване съдържат ценни рециклиращи се материали, които могат да повлияят отрицателно на околната среда и на Вашето здраве, ако не се изхвърлят по екологосъобразен начин. Преди изхвърлянето като отпадък изтрийте от Вашия употребяван уред евентуално наличните в него лични данни.
n_0	Обороти на празен ход
V	Напрежение

	Постоянен ток
	Европейски знак за съответствие
	Британски знак за съответствие
	Украински знак за съответствие
	Евро-азиатски знак за съответствие

DATE TEHNICE	M18 BQSS
Tip	Șlefuitor cu vibrații
Număr producție	4914 11 01 XXXXXX MJJJJ
Tensiune acumulator	18 V \approx
Viteza de mers în gol	11.000 - 13.000 min ⁻¹
Diametru cursa orbitală	1,6 mm
Dimensiuni placă de rectificare	113 x 104 mm
Greutatea conform „EPTA procedure 01/2014” (Li-Ion 2,0 Ah ... 12,0 Ah)	1,66 ... 2,72 kg
Temperatură ambientală recomandată pentru funcționare	-18 ... +50 °C
Seturi de baterii recomandate	M18B...; M18HB...
Încărcător de baterii recomandat	M12-18...; M1418C6
Informație privind zgomotul: Valori măsurate determinate conform EN 62841. Nivelul de zgomot evaluat cu A al aparatului este tipic de:	
Nivelul presiunii sonore / Nesiguranță K	78,28 dB (A) / 3 db (A)
Nivelul sunetului / Nesiguranță K	89,28 dB (A) / 3 db (A)
Purtați căști de protecție	
Informații privind vibrațiile: Valorile totale de oscilație (suma vectorială pe trei direcții determinate conform normei EN 62841.	
Valoarea emisiei de oscilații a _n / Nesiguranță K	5,23 m/s ² / 1,50 m/s ²

AVERTISMENT!

Nivelul vibrației și emisiei de zgomot indicat în această fișă informativă a fost măsurat în conformitate cu o metodă standard de testare specificată în EN 62841 și se poate utiliza pentru a compara dispozitivele între ele. Acesta se poate utiliza și într-o evaluare preliminară a expunerii.

Nivelul declarat al vibrației și emisiei sonore reprezintă principalele aplicații ale dispozitivului. Cu toate acestea, dacă dispozitivul este utilizat pentru aplicații diferite, cu accesorii diferite sau întreținute necorespunzător, emisia de vibrații și zgomote poate diferi. Acest lucru poate crește semnificativ nivelul expunerii pe întreaga perioadă de lucru.

O estimare a nivelului de expunere la vibrații și zgomot ar trebui să țină cont și de momentele în care dispozitivul este oprit sau când funcționează, dar nu realizează de fapt nicio lucrare. Acest lucru poate reduce semnificativ nivelul expunerii pe întreaga perioadă de lucru.

Identificați măsurile de siguranță suplimentare pentru a proteja operatorul de efectele vibrațiilor și/sau zgomotului, cum ar fi: întreținerea dispozitivului și a accesoriilor, menținerea caldă a mâinilor, organizarea modelelor de lucru.

AVERTISMENT! Citiți toate instrucțiunile de securitate, recomandările, reprezentările grafice și datele pe care le primiți livrate împreună cu aparatul. În cazul în care nu veți respecta următoarele instrucțiuni, se poate ajunge la electrocutare, incendii și/sau răniiri grave.

Păstrați toate indicațiile de avertizare și instrucțiunile în vederea utilizărilor viitoare.

INSTRUCȚIUNI DE SIGURANȚĂ PENTRU ȘLEFUITOARE

Praful de șlefuire colectat la șlefuirea straturilor de acoperire a suprafețelor, cum ar fi poliuretani, uleiul de in etc. se poate autoaprinde în sacul de praf al șlefuitorului sau în altă parte și poate provoca un incendiu. Pentru a reduce riscul de incendiu, goliți întotdeauna sacul de praf în mod frecvent (10-15 minute) în timpul șlefuirii și nu depozitați sau lăsați niciodată un șlefuitor fără a-i goli complet sacul de praf. De asemenea, respectați recomandările producătorilor straturilor de acoperire.

INSTRUCȚIUNI SUPPLEMENTARE DE SIGURANȚĂ ȘI DE LUCRU

Nu intrați niciodată în zona de pericol a plăcii când este în mișcare. Rumegeșul și spanul nu trebuie îndepărtate în timpul funcționării mașinii.

Folosiți echipament de protecție. Purtați întotdeauna ochelari de protecție când lucrați cu mașina.

Praful care apare când se lucrează cu această sculă poate fi dăunător sănătății și prin urmare nu trebuie să atingă corpul. Utilizați un sistem de absorbție a prafului și purtați o mască de protecție împotriva prafului. Îndepărtați cu grijă praful depozitat, de ex. cu un aspirator.

Nu se admite prelucrarea unui material care poate pune în pericol sănătatea operatorului (de exemplu azbestul).

Oprii imediat mașina în caz de vibrații puternice sau dacă apar alte defecțiuni. Verificați mașina pentru depistarea cauzei.

Piesa de prelucrat trebuie fixată dacă nu este suficient de grea pentru a fi stabilă.

Nu lăsați nici o piesă metalică să intre în fantele de aerisire - pericol de scurt circuit.

AVERTISMENT! Pentru a reduce pericolul unui incendiu și evitarea răniilor sau deteriorarea produsului în urma unui scurtcircuit nu imersați scula, acumulatorul de schimb sau încărcătorul în lichide și asigurați-vă să nu pătrundă lichide în aparate și acumulatori. Lichidele corosive sau cu conductibilitate, precum apa sărată, anumite substanțe chimice și înalbitori sau produse ce conțin înalbitori, pot provoca un scurtcircuit.

Folosiți numai scule originale de șlefuit și lustruit Milwaukee, cu banda velcro autoadezivă.

Nu deschideți niciodată acumulatorii și încărcătoarele și pastrați-le numai în încăperi uscate. Pastrați-le întotdeauna uscate.

Folosiți numai încărcătoare System M18 pentru încărcarea acumulatorilor System M18.

CONDIȚII DE UTILIZARE SPECIFICATE

Șlefuitorul poate fi utilizat pentru șlefuirea lemnului, plasticului, metalului, materialelor de umplură și a suprafețelor vopsite.

Nu utilizați produsul în niciun alt mod decât cel specificat în utilizare prevăzută.

RISCURI REZIDUALE

Excluderea tuturor pericolelor reziduale nu este posibilă chiar și în condiții de utilizare corectă a mașinii. În timpul utilizării pot apărea următoarele pericole, de care utilizatorul ar trebui să țină seama:

- Accidentări provocate de vibrații. Țineți aparatul de mânerle prevăzute în acest scop și reduceți timpul de lucru și de expunere.
- Poluarea fonică poate duce la vătămarea auzului. Purtați căști antifonice și reduceți durata expunerii.

• Afecțiuni oculare cauzate de particulele de impurități. Purtați întotdeauna ochelari de protecție, pantaloni lungi rezistenți, mănuși și încălțăminte robustă.

• Inhalare de pulberi toxice.

INDICAȚII PENTRU ACUMULATORII LI-ION

Utilizarea acumulatorilor Li-Ion

Acumulatorii care nu au fost utilizați o perioadă de timp trebuie reîncărcați înainte de utilizare

Temperatura mai mare de 50°C (122°F) reduce performanța acumulatorului. Evitați expunerea prelungită la căldură sau radiație solară (risca de supraîncălzire)

Contactele încărcătoarelor și acumulatorilor trebuie păstrate curate.

În scopul optimizării duratei de funcționare, bateriile trebuie reîncărcate complet după utilizare. Pentru o durată de viață cât mai lungă, acumulatorii ar trebui scoși din încărcător după încărcare.

La depozitarea acumulatorilor mai mult de 30 zile: Acumulatorii se depozitează la cca. 27°C și la loc uscat. Acumulatorii se depozitează la nivelul de încărcare de cca. 30%-50%.

Acumulatorii se încarcă din nou la fiecare 6 luni.

Protecție la suprasarcină la acumulatorii Li-Ion

În cazul unei suprasolicitări a acumulatorului datorită unui consum excesiv de curent electric, de ex. datorită unor momente de turaj extrem de înalte, a unei opriri subite sau a unui scurt circuit, scula electrică trepidează timp de 5 secunde, indicația stării de încărcare pălpăie și scula electrică se deconectează de la sine.

Pentru reconectare dați drumul întrerupătorului și conectați din nou. În cazul unor sarcini extreme, acumulatorul se începe prea tare. În acest caz toate lămpile indicației stării de încărcare pălpăie până când acumulatorul s-a răcit. După ce indicația stării de încărcare s-a stins se poate lucra mai departe.

Transportul acumulatorilor cu ioni de litiu

Acumulatorii cu ioni de litiu cad sub incidența prescripțiilor legale pentru transportul de mărfuri periculoase.

Transportul acestor acumulatori trebuie să se efectueze cu respectarea prescripțiilor și reglementărilor pe plan local, național și internațional.

Consumatorilor le este permis transportul rutier nerestricționat al acestui tip de acumulatori.

Transportul comercial al acumulatorilor cu ioni de litiu prin intermediul firmelor de expediție și transport este supus reglementărilor transportului de mărfuri periculoase. Pregătirile pentru expediție și transportul au voie să fie efectuate numai de către personal instruit corespunzător. Întregul proces trebuie asistat în mod competent.

Următoarele puncte trebuie avute în vedere la transportul acumulatorilor:

Pentru a se evita scurtcircuite, asigurați-vă de faptul că sunt protejate și izolate contactele.

Aveți grijă ca pachetul de acumulatori să nu poată aluneca în altă poziție în interiorul ambalajului său. Este interzis transportarea unor acumulatori deteriorați sau care pierd lichid. Pentru indicații suplimentare adresați-vă firmei de expediție și transport cu care colaborați.

INDICAȚII DE LUCRU

Șlefuirea generală cu șlefuitoare cu orbită aleatorie

Atunci când folosiți șlefuitoare cu orbită aleatorie, trebuie să țineți cont de câteva lucruri:

- Spre deosebire de majoritatea șlefuitoarelor, șlefuitoarele cu orbită aleatorie trebuie așezate pe piesa de lucru ÎNAINTE de a porni dispozitivul electric. Dacă șlefuitorul este pornit înainte de a fi așezat pe piesa de prelucrat, padul cu mișcare liberă se poate roti cu o viteză care poate produce zgărieruri atunci când este așezată în final pe piesa de prelucrat.

• Spre deosebire de majoritatea șlefuitoarelor, șlefuitoarele cu orbită aleatorie pot fi deplasate pe piesa de prelucrat în orice direcție (în cazul lemnului, indiferent de direcția fibrelor).

• Presiunea variabilă aplicată asupra șlefuitorului va afecta viteza de rotație a acestuia. Se recomandă o presiune ușoară pentru lucrări fine și o presiune moderată pentru lucrări dificile. Presiunea excesivă nu permite padului să se rotească suficient.

• Mențineți padul de șlefuit în poziție plană pe piesa de prelucrat. Înclinarea șlefuitorului sau folosirea marginilor padului poate conduce la un finisaj neuniform și reduce durata de viață a padului.

• Continuați să deplasați șlefuitorul cu mișcări largi și uniforme pe piesa de prelucrat. Șlefuirea într-un singur loc prea mult timp poate produce zgărieruri și poate conduce la rezultate neuniforme.

• Verificați frecvent piesa de prelucrat, deoarece șlefuitoarele cu orbită aleatorie funcționează mai agresiv decât șlefuitoarele orbitale simple.

1. Așezați șlefuitorul pe piesa de prelucrat și porniți șlefuitorul.
2. Păstrați coala abrazivă plană pe piesa de prelucrat, mențineți șlefuitorul în mișcare de-a lungul piesei de prelucrat și folosiți mișcări lungi și ample.
3. Începeți șlefuirea cu o hârtie abrazivă cu granulație mare și utilizați treptat hârtie abrazivă cu granulație din ce în ce mai fină până când se obține finisajul dorit. De exemplu, atunci când folosiți șlefuitorul pe lemn, începeți cu o granulație de 80, urmată de o granulație de 120, apoi una de 180 și așa mai departe.

Îndepărtarea vopselei sau a lacului

1. Atunci când îndepărtați mai multe straturi de vopsea sau lac, îndepărtați cât mai mult posibil din aceste straturi cu un solvent pentru vopsea sau un dizolvant pentru lac.

2. Îndepărtați reziduurile cu un șpaclu sau o altă unealtă de răzuit și lăsați suprafața să se răcească și să se usuce înainte de a aplica șlefuitorul pe piesa de lucru.

3. Selectați o coală de hârtie abrazivă cu granulație groabă, pentru a preveni colmatarea șmirghelului.

4. Continuați să mișcați șlefuitorul pe zonele noi pentru a evita încălzirea și înmuierea vechiului strat (vopsea sau lac).

5. Lucrați cu mișcări largi, suprapuse, pentru a obține un finisaj uniform.

6. Pe măsură ce piesa de prelucrat începe să se vadă prin vechiul strat de acoperire, treceți la o coală de hârtie abrazivă cu granulație medie pentru a evita zgărierarea suprafeței piesei de prelucrat. Treceți treptat la o hârtie abrazivă cu granulație fină până când obțineți finisajul dorit.

CURĂȚARE

Fantele de aerisire ale mașinii trebuie să fie menținute libere tot timpul

ÎNȚEȚINERE

Utilizați numai accesorii și piese de schimb Milwaukee. Dacă unele din componente care nu au fost descrise trebuie înlocuite, vă rugăm contactați unul din agenții de service Milwaukee (vezi lista noastră pentru service / garanți

Dacă este necesar, se poate comanda o imagine descompusă a sculei. Vă rugăm menționați numărul art. Precum și tipul mașinii tipărit pe etichetă și comandați desenul la agenții de service locali sau direct la Techtronic Industries GmbH, Max-Eyth-Straße 10, 71364 Winnenden, Germany.

СИБОЛУРИ

	Va rugăm citiți cu atenție инструкциите înainte de pornirea mașinii
	PERICOL! AVERTIZARE! ATENȚIE!
	Îndepărtați acumulatorul înainte de începerea lucrului pe mașina
	A nu se aplica forța.
	Purtați întotdeauna ochelari de protecție când utilizați mașina.
	Purtați o mască de protecție corespunzătoare împotriva prafului.
	Accesoriu - Nu este inclus în echipamentul standard , disponibil ca accesoriu
	Deșeurile de baterii, deșeurile de echipamente electrice și electronice nu se elimină ca deșeuri municipale nesortate. Deșeurile de baterii și deșeurile de echipamente electrice și electronice trebuie colectate separat. Deșeurile de baterii, deșeurile de acumulatori și materialele de iluminat trebuie îndepărtate din echipament. Informați-vă de la autoritățile locale sau de la comercianții acreditați în legătură cu centrele de reciclare și de colectare. În conformitate cu reglementările locale retailerii pot fi obligați să colecteze gratuit bateriile uzate și deșeurile de echipamente electrice și electronice. Contribuția dumneavoastră la reutilizarea și reciclarea deșeurilor de baterii și a deșeurilor de echipamente electrice și electronice contribuie la reducerea cererii de materii prime. Deșeurile de baterii și deșeurile de echipamente electrice și electronice conțin materiale reciclabile valoroase, care pot avea un impact negativ asupra mediului și sănătății umane, în cazul în care nu sunt eliminate în mod ecologic. În cazul în care pe echipamente au fost înregistrate date cu caracter personal, acestea trebuie șterse înainte de eliminarea echipamentelor ca deșeuri.
n_0	Viteza de mers în gol
V	Tensiune
	Curent continuu
	Marcă de conformitate europeană
	Marcă de conformitate britanică
	Marcă de conformitate ucraineană
	Marcă de conformitate eurasiatică

ТЕХНИЧКИ ПОДАТОЦИ	M18 BQSS
Тип на дизајн	Шлајферица-лизгач
Произведен број	4914 11 01 XXXXXX MJJJJ
Волтажа на батеријата	18 V \equiv
Брзина без оптоварување	11.000 - 13.000 min ⁻¹
Дијаметар на патеката на лежиштето	1,6 mm
Димензии на брусната плоча	113 x 104 mm
Тежина според ЕПТА-процедурата 01/2014 (Li-Ion 2,0 Ah ... 12,0 Ah)	1,66 ... 2,72 kg
Препорачана температура на околината за работа	-18 ... +50 °C
Препорачани комплекти акумулаторски батерии	M18B...; M18HB...
Препорачани полначи	M12-18...; M1418C6
Информации за бучавата: Измерените вредности се одредени согласно стандардот EN 62841. А-оценетото ниво на бучава на апаратот типично изнесува: Ниво на звучен притисок / Несигурност К Ниво на јачина на звук / Несигурност К	78,28 dB (A) / 3 db (A) 89,28 dB (A) / 3 dB (A)
Носте штитник за уши. Информации за вибрации: Вкупни вибрациски вредности (векторски збир на трите насоки) пресметани согласно EN 62841. Вибрациска емисиона вредност a_n / Несигурност К	5,23 m/s ² / 1,50 m/s ²

⚠ ПРЕДУПРЕДУВАЊЕ!

Нивото на вибрации и емисија на бучава дадени во овој информативен лист се измерени во согласност со стандардизиран метод на тестирање даден во EN 62841 и може да се користат за споредување на еден електричен алат со друг. Тие исто така може да се користат при првична проценка на изложеност.

Наведеното ниво на вибрации и емисија на бучава ја претставува главната примена на алатот. Сепак ако алатот се користи за поинакви примени, со поинаков прибор или лошо се одржува, вибрациите и емисијата на бучава може да се разликуваат. Тоа може значително да го зголеми нивото на изложеност преку целиот работен период.

Проценка на нивото на изложеност на вибрации и бучава треба исто така да се земе предвид кога е исклучен алатот или кога е вклучен, но не врши никаква работа. Тоа може значително да го намали нивото на изложеност преку целиот работен период.

Утврдете дополнителни безбедносни мерки за да се заштити операторот од ефектите на вибрациите и/или бучавата како на пр.: одржувајте го алатот и приборот, рацете нека ви бидат топли, организација на работните шеми.

⚠ ПРЕДУПРЕДУВАЊЕ! Прочитајте ги сите безбедносни напомени, упатства, цртежи и податоци, коишто ги добивате заедно со уредот. Доколку не ги почитувате следните упатства, може да дојде до електричен удар, до пожар и/или до тешки повреди.

Сочувајте ги сите безбедносни упатства и инструкции за во иднина.

БЕЗБЕДНОСНИ УПАТСТВА ЗА БРУСИЛКИ

Собраниот прав од брусењето од облогите на површината за брусење како што се полиуретани, ленено масло итн. може да се самозапали во кесето за прав од брусилката или на друго место и да предизвика пожар. За да го намалите ризикот од пожар, секогаш празнете го кесето за прав често (10-15 минути) додека брусите и никогаш чувајте ја ниту оставајте ја брусилката без целосно да го испразните кесето за прав. Исто така, следете ги упатствата од производителите на облогите.

ОСТАНАТИ БЕЗБЕДНОСНИ И РАБОТНИ УПАТСТВА

Никогаш не посегнувајте во зоната на опасната работна површина при вклучена машина.

Прашината и струготините не смеат да се одстрануваат додека е машината работи.

Употребувајте заштитна опрема. При работа со машината постојано носете заштитни очила.

Прашината која се крева при работа со овој алат може да биде штетна по здравјето и затоа не го изложувајте го телото. Користете систем за апсорпција на пращината и носете соодветна заштитна маска. Одстранете ја целосно наталожената прашина пр: со правосмукалка.

Не смеат да бидат обработувани материјали кои што можат да го загрозат здравјето (на пр. азбест).

Во случај на значителни вибрации или појава на други неправилности веднаш исклучете ја машината со цел да ја најдете причината за нив.

Работни предмети кои што се обработуваат мора да бидат цврсто стегнати доколку не се држи со самата своја тежина.

Не дозволувајте какви и да се метални делови да дојдат до отворите за вентилација-ризик од куршлуп!

ПРЕДУПРЕДУВАЊЕ! За да избегнете опасноста од пожар, од наранувања или од оштетување на производот, коишто ги создава краток спој, не ја потопувајте во течност алатката, заменливата батерија или полначот и пазете во уредите и во батериите да не проникнуваат течности. Корозивни или електроспроводливи течности, како солена вода, одредени хемикалии, избелувачки препарати или производи кои содржат избелувачки супстанции, можат да предизвикаат краток спој.

Користете исклучиво оригинални Milwaukee шмирглачки и полирачки алати со самолепливи велкро врзувачи.

Не ги отворајте насилно батериите и полначите, и чувајте ги само на суво место. Чувајте ги постојано суви.

Користете исклучиво Систем M18 за полнење на батерии од M18 систем.

СПЕЦИФИЦИРАНИ УСЛОВИ НА УПОТРЕБА

Брусилката може да се користи за брусење дрво, пластика, метал, филер и обоени површини.

Не користете го производот на друг начин освен на начините за кои е наменет.

ОСТАТОЧНИ ОПАСНОСТИ

Дури и при уредна употреба на машината, не може да се исклучат сите преостанати ризици. При употребата може да настанат следните опасности, на кои операторот треба особено да внимава:

- Повреди предизвикани како последица на вибрации. Држете ја алатката за рачките предвидени за тоа и ограничете го времето на работа и експозицијата.
- Изложеноста на бучава може да доведе до оштетување на слухот. Носете заштита за ушите и ограничете го траењето на експозицијата.
- Честичките нечистотија може да предизвикаат повреди на очите. Секогаш носете заштитни очила, долги пантолони, ракавици и цврсти чевли.
- Вдишување токсични прашина.

УПАТСТВА ЗА ЛИТИУМ-ЈОНСКИ БАТЕРИИ

Употреба на литиум-јонски батерии

Батериите кои не биле користени подолго време треба да се наполнат пред употреба.

Температура повисока од 50°C (122°F) го намалуваат траењето на батериите. Избегнувајте подолго изложување на батериите на високи температури или сонце (ризик од прегревање). Клемите на полначот и батериите мора да бидат чисти.

За оптимален работен век батериите мора да се наполнат целосно по употреба.

За можно подолг век на траење, апаратите после нивното полнење треба да бидат извадени од апаратот за полнење на батериите.

Во случај на складирање на батеријата подолго од 30 дена: Акумулаторот да се чува на температура од приближно 27°C и на суво место.

Акумулаторот да се складира на приближно 30%-50% од состојбата на наполнетост.

Акумулаторот повторно да се наполни на секои 6 месеци.

Заштита од преоптоварување на батеријата за литиум-јонски батерии

При преоптеретување на батеријата како резултат на мошне висока потрошувачка на струја, на пример екстремно високи вртежни моменти, ненадејно стопирање или краток спој, електро-алатот вибрира 5 секунди, приказот за полнење трепка и електро-алатот самостојно се исклучува.

За повторно вклучување ослободете го притискачот на прекинувачот, а потоа повторно вклучете. Во случај на екстремни оптоварувања батеријата се загрева премногу. Во таков случај трепкаат сите ламбички од приказот за полнење сè додека батеријата не се излади. По гаснење на приказот за полнење може да се продолжи со работа.

Транспорт на литиум-јонски батерии

Литиум-јонските батерии подлежат на законските одредби за транспорт на опасни материи.

Транспортот на овие батерии мора да се врши согласно локалните, националните и меѓународните прописи и одредби.

Потрошувачите на овие батерии може да вршат непречен патен транспорт на истите.

Комерцијалниот транспорт на литиум-јонски батерии од страна на шпедитерски претпријатија подлежат на одредбите за транспорт на опасни материи. Подготовките за шпедиција и транспорт треба да ги вршат исклучиво соодветно обучени лица. Целокупниот процес треба да биде стручно надгледуван.

При транспортот на батерии треба да се внимава на следното:

Осигурајте се дека контактите се заштитени и изолирани, а сето тоа со цел да се избегнат кратки споеви.

Внимавајте да не дојде до изместување на батериите во нивната амбалажа. Забранет е транспорт на оштетени или протечени литиум-јонски батерии. За понатамошни инструкции обратете се до Вашето шпедитерско претпријатие.

РАБОТНИ УПАТСТВА

Општо брусеење со орбитални брусилки по случаен избор

Кога се користат орбитални брусилки по случаен избор, треба да се имаат на ум неколку работи:

- За разлика од повеќето брусилки, орбиталните брусилки по случаен избор треба да се постават на работниот материјал ПРЕД да се стартува алатот. Ако брусилката се стартува пред да се постави на работниот материјал, подлогата што лебди слободно може да се врти со брзина што може да предизвика гребнатини кога конечно ќе се постави на работниот материјал.
- За разлика од повеќето брусилки, орбиталните брусилки по случаен избор може да се поместуваат по работниот материјал во која било насока (во случај на дрво, без оглед на вертикалната насока).
- Променивиот притисок што се применува на брусилката ќе влијае на нејзината брзина на ротација. За фина работа, се препорачува лесен притисок, а за груба работа се препорачува умерен притисок. Прекумерниот притисок не дозволува доволно ротирање на подлогата.
- Држете ја подлогата за брусеење рамна на работниот материјал. Наведувањето на брусилката или користењето на рабовите на подлогата може да предизвика нерамномерна завршница и да го намали векот на траење на подлогата.
- Држете ја брусилката да се движи во широки и рамни потези по работниот материјал. Предолгото брусеење на едно место може да предизвика издлабени и нерамномерни резултати.
- Проверувајте го работниот материјал често, орбиталните брусилки по случаен избор работат поагресивно од едноставните орбитални брусилки.

1. Поставете ја брусилката на работниот материјал и вклучете ја.
2. Држете ја плочата за брусеење рамно на работниот материјал, држете ја брусилката да се движи по работниот материјал и користете долги, брзи потези.
3. Започнете со брусеење со шмиргла со груби зрна и постепено користете сè пофини и пофини зрна од шмирглата додека не се постигне саканата завршница. На пример, кога ја користите брусилката на дрво, започнете со зрно 80, продолжете со зрно 120, потоа зрно 180 и така натаму.

Отстранување боја или лак

1. Кога отстранувате неколку слоеви боја или лак, отстранувајте ги колку е можно повеќе со растворувач за боја или отстранувач на лак.
2. Изгребете ги остатоците со шпакла или друг алат за стругање и оставете ја површината да се олади и исуши пред да ја употребите брусилката на работниот материјал.
3. Изберете плоча за шмиргла со груби зрна како помош да се спречи затнување на шмирглата.
4. Држете ја брусилката да се движи по новите области за да се избегне загревање и смекнување на старата облога (боја или лак).
5. Работете во широки потези што се преклопуваат за да се создаде рамномерна завршница.
6. Како што работниот материјал почнува да се покажува низ старата облога, префрлете на плоча за шмиргла со средни зрна за да избегнете гребеење на површината на работниот материјал. Постепено префрлете на шмиргла со фини зрна додека не се постигне саканата завршница.

ЧИШЕЊА

Вентилациските отвори на машината мора да бидат комплетно отворени постојано.

ОДРЖУВАЊЕ

Користете само Milwaukee додаточи и резервни делови. Доколку некои од компонентите кои не се опишани треба да бидат заменети, Ве молиме контактирајте ги сервисните агенти на Milwaukee (консултирајте ја листата на адреси).

Доколку е потребно можно е да биде набавен детален приказ на алатот. Ве молиме наведете го бројот на артиклот како и типот на машина кој е отпечатан на етикетата и порачајте ја скицата кај локалниот застапник или директно кај: Techtronic Industries GmbH, Max-Eyth-Straße 10, 71364 Winnenden, Germany.

СИМБОЛИ

	Ве молиме пред да ја стартувате машината обрнете внимание на упатствата за употреба.
	ВНИМАНИЕ! ПРЕДУПРЕДУВАЊЕ! ОПАСНОСТ!
	Извадете го батерискиот склоп пред отпочнување на каков и да е зафат врз машината.
	Не употребувајте сила.
	Секогаш при користење на машината носете ракавици.
	Не ја вдишувајте. Носете соодветна заштитна маска.
	Дополнителна опрема - Не е вклучена во стандардната, а достапна е како додаток.
	Не отстранувајте ги отпадните батерии, отпадната електрична и електронска опрема како несортиран комунален отпад. Отпадните батерии и отпадната електрична и електронска опрема мора да се собираат посебно. Отпадните батерии, отпадните акумулатори и отпадните извори на светлина треба да се отстранат од опремата. Проверете кај вашиот локален орган или продавач за совети за рециклирање и место за собирање. Во зависност од локалните регулативи, трговците на мало може да се обврзани бесплатно да ги преземаат искористените батерии, како и отпадната електрична и електронска опрема. Вашиот придонес за повторна употреба и рециклирање на отпадните батерии и отпадната електрична и електронска опрема помага да се намали побарувачката на суровини. Отпадните батерии, посебно оние што содржат литиум, и отпадната електрична и електронска опрема содржат вредни материјали за рециклирање, кои може негативно да влијаат на животната средина и на здравјето на луѓето доколку не се отстранат на еколошки компатибилен начин. Избришете ги личните податоци од отпадната опрема, доколку ги има.
n_0	Брзина без оптоварување
V	Напон
	Истосмерна струја
	Европска ознака за сообразност

	Британска ознака за сообразност
	Украинска ознака за сообразност
	Евроазиатска ознака за сообразност

ТЕХНІЧНІ ХАРАКТЕРИСТИКИ	
Тип конструкції	Віброшліфувальна машина
Номер виробу	4914 11 01 XXXXXX MJJJJ
Напруга знімної акумуляторної батареї	18 V \approx
Кількість обертів холостого ходу	11.000 - 13.000 min ⁻¹
Ø вібродиска	1,6 mm
Розміри шліфувальної пластини	113 x 104 mm
Вага згідно з процедурою EPTA 01/2014 (Li-Ion 2,0 Ah ... 12,0 Ah)	1,66 ... 2,72 kg
Температура навколишнього середовища, рекомендована для експлуатації	-18 ... +50 °C
Рекомендовані акумулятори	M18V...; M18HV...
Рекомендовані зарядні пристрої	M12-18...; M1418C6

Інформація про шум: Виміряні значення визначені згідно з EN 62841.

Рівень шуму "A" приладу становить в типовому випадку:

Рівень звукового тиску / похибка K =

78,28 dB (A) / 3 db (A)

Рівень звукової потужності / похибка K =

89,28 dB (A) / 3 dB (A)

Використовувати засоби захисту органів слуху!

Інформація щодо вібрації: Сумарні значення вібрації (векторна сума трьох напрямків), встановлені згідно з EN 62841.

Значення вібрації $a_{h,v}$ / похибка K =

5,23 m/s² / 1,50 m/s²

ПОПЕРЕДЖЕННЯ!

Заявлені значення шумового випромінювання, вказані в цьому інформаційному аркуші, було виміряно відповідно до стандартизованого випробування згідно з EN 62841 та можуть використовуватися для порівняння одного інструмента з іншим. Вони також можуть використовуватися для попередньої оцінки рівня впливу на організм.

Вказані значення вібрації та шумового випромінювання дійсні для основних областей застосування інструмента. Якщо інструмент використовується в інших областях застосування чи з іншим приладдям або не проходить належне обслуговування, значення вібрації та шумового випромінювання можуть відрізнятись. Це може суттєво збільшити рівень впливу на організм протягом загального періоду роботи.

Під час оцінки рівня впливу вібрації та шумового випромінювання на організм також необхідно враховувати періоди, коли інструмент вимкнено, чи коли він працює, але фактично не використовується для виконання роботи. Це може суттєво знизити рівень впливу на організм протягом загального періоду роботи.

Визначте додаткові заходи для захисту оператора від впливу вібрації та/або шуму, наприклад, обслуговування інструмента та його приладдя, зберігання рук у теплі, організація графіків роботи.

ПОПЕРЕДЖЕННЯ! Ознайомтеся з усіма вказівками щодо техніки безпеки, інструкціями, ілюстраціями та відеоматеріалами, що було надано разом із приладом. Недотримання наведених далі інструкцій може спричинити ураження електричним струмом, пожежу та/або тяжкі травми.

Зберігайте всі вказівки з техніки безпеки та інструкції на майбутнє.

ІНСТРУКЦІЇ З ТЕХНІКИ БЕЗПЕКИ ДЛЯ ШЛІФУВАЛЬНИХ МАШИН

Зібраний пил від таких покриттів шліфувальних поверхонь, як поліуретан, лляна олія тощо, може самозайнятися в пилозбірному мішку шліфувальної машини або в іншому місці та спричинити пожежу. Щоб зменшити ризик пожежі, достатньо часто (кожні 10–15 хвилин) спорожнійте пилозбірник під час шліфування та ніколи не зберігайте та не залишайте шліфувальну машину, не спорожнивши її повністю. Також дотримуйтеся рекомендацій виробників відповідних покриттів.

ДОДАТКОВІ ІНСТРУКЦІЇ З ТЕХНІКИ БЕЗПЕКИ ТА ЕКСПЛУАТАЦІЇ

Частина тіла не повинні потрапляти в небезпечну область машини, коли вона працює.

Не можна видаляти стружку або уламки, коли машина працює.

Використовуйте індивідуальні засоби захисту. Під час роботи з машиною завжди носіть захисні окуляри.

Пил, що утворюється під час роботи, часто буває шкідливим для здоров'я; він не повинен потрапляти в організм.

Використовувати засоби для відсмоктування пилу та додатково носити відповідну маску для захисту від пилу. Відкладення пилу ретельно видаляти, наприклад, пилососом.

Не можна обробляти матеріали, небезпечні для здоров'я (наприклад, азбест).

Негайно вимкнути прилад, якщо виникає помітна вібрація або інші небажані явища. Перевірте машину, щоб встановити причину.

Оброблювану заготовку необхідно міцно закріпити, якщо вона не тримається завдяки власній вазі.

В зв'язку з небезпек короткого замикання в вентиляційні отвори не повинні потрапляти металеві предмети.

ПОПЕРЕДЖЕННЯ! Для запобігання небезпеці пожежі в результаті короткого замикання, травмам і пошкодженню виробів не занурюйте інструмент, змінний акумулятор або зарядні пристрої у рідину і не допускайте потрапляння рідини всередину пристроїв або акумуляторів. Корозійні і струмопровідні рідини, такі як солоний розчин, левні хімікати, вибілювальні засоби або продукти, що їх містять, можуть призвести до короткого замикання.

Використовувати тільки оригінальний інструмент Milwaukee для шліфування та полірування на липучках.

Не відкривати знімні акумуляторні батареї і зарядні пристрої та зберігати їх лише в сухих приміщеннях. Беріть від вологи.

Знімні акумуляторні батареї системи M18 заряджати лише зарядними пристроями системи M18.

ВИКОРИСТАННЯ ЗА ПРИЗНАЧЕННЯМ

Шліфувальну машину можна використовувати для шліфування деревини, пластику, металу, шпаклівки та фарбованих поверхонь.

Не використовуйте цей продукт для будь-якої іншої мети; використовуйте його лише згідно зі вказаним цільовим призначенням.

ЗАЛИШКОВІ НЕБЕЗПЕКИ

Навіть при належному використанні не можна виключити всі залишкові ризики. При використанні можуть виникнути такі небезпеки, на які користувач повинен звернути особливу увагу:

- Травми внаслідок вібрації. Тримайте прилад за передбачені для цього руків'я і обмежуйте час роботи та експозиції.
- Шумовий вплив може погіршити слух. Носіть захисні навушники і обмежуйте тривалість експозиції.
- Травми очей, викликані частинками забруднень. Завжди надягайте захисні окуляри, щільні довгі штани, рукавиці і міцне взуття.
- Вдихання отруйного пилу.

ВКАЗІВКИ ЩОДО ЛІТІЙ-ІОННИХ АКУМУЛЯТОРІВ

Застосування літій-іонних акумуляторів

Знімну акумуляторну батарею, що не використовувалася тривалий час, перед використанням необхідно підзарядити.

Температура понад 50 °C зменшує потужність знімної акумуляторної батареї. Уникати тривалого нагрівання сонячними променями або системою обігріву.

З'єднувальні контакти зарядного пристрою та знімної акумуляторної батареї повинні бути чистими.

Для забезпечення оптимального строку експлуатації акумуляторні батареї після використання необхідно повністю зарядити.

Для забезпечення максимального можливого терміну експлуатації акумуляторні батареї після зарядки необхідно виймати з зарядного пристрою.

При зберіганні акумуляторної батареї понад 30 днів:

Зберігати акумуляторну батарею при температурі приблизно 27 °C в сухому місці.

Зберігати акумуляторну батарею в стані зарядки приблизно 30-50 %.

Кожні 6 місяців заново заряджати акумуляторну батарею.

Захист від перевантаження літій-іонних акумуляторів

У випадку перевантаження акумуляторної батареї внаслідок дуже високого споживання струму, наприклад, надмірно високого крутного моменту, раптової зупинки або короткого замикання, електронний інструмент вібере 5 секунд, індикатор заряду блимає, електронний інструмент самостійно вимикається.

Для повторного увімкнення відпустити кнопку вимикача і знов увімкнути. При надмірних навантаженнях акумуляторна батарея сильно перегріватиметься. В цьому випадку всі лампочки індикатора заряду блимають, доки акумуляторна батарея не охолоне. Можна продовжити роботу після того, як індикатор заряду згасне.

Транспортування літій-іонних акумуляторних батарей

Літій-іонні акумуляторні батареї підпадають під заборону заборони про перевезення небезпечних вантажів.

Транспортування таких акумуляторних батарей повинно відбуватися із дотриманням місцевих, національних та міжнародних przepisів та положень.

споживачі можуть без проблем транспортувати ці акумуляторні батареї по вулиці.

Комерційне транспортування літій-іонних акумуляторних батарей експедиторськими компаніями підпадає під положення про транспортування небезпечних вантажів. Підготовку до відправлення та транспортування можуть здійснювати виключно особи, які пройшли відповідне навчання. Весь процес повинні контролювати кваліфіковані фахівці.

При транспортуванні акумуляторних батарей необхідно дотримуватись зазначених далі пунктів:

Переконайтесь в тому, що контакти захищені та ізольовані, щоб запобігти короткому замиканню.

Слідкуйте за тим, щоб акумуляторна батарея не переміщувалася всередині упаковки. Пошкоджені акумуляторні батареї, або акумуляторні батареї, що потекли, не можна транспортувати. Для отримання подальших вказівок звертайтеся до своєї експедиторської компанії.

ВКАЗІВКИ ЩОДО ЕКСПЛУАТАЦІЇ

Загальні правила шліфування за допомогою машин із випадковою орбітою

Під час використання шліфувальних машин із випадковою орбітою необхідно пам'ятати декілька правил.

- На відміну від більшості шліфувальних інструментів машини з випадковою орбітою необхідно встановлювати на заготовку ПЕРЕД запуском. Якщо шліфувальну машину запустити до розміщення на заготовці, шліфою переміщується пластина може обернутися зі швидкістю, яка може спричинити подрапини після початкового контакту з заготовкою.
- На відміну від більшості шліфувальних інструментів машини з випадковою орбітою можна переміщувати по заготовці в будь-якому напрямку (під час роботи з деревом — незалежно від напрямку волокон).
- Ступінь притискання шліфувальної машини впливає на її швидкість обертання. Для тонкої роботи рекомендується легке притискання, для грубої роботи — помірне. У разі надмірного притискання пластина не зможе обернутися з достатньою швидкістю.
- Тримайте шліфувальну пластину на заготовці рівно. Шліфування під кутом або краями пластини може призвести до нерівностей та скоротити термін служби пластини.
- Переміщуйте шліфувальну машину широкими рівними смугами по заготовці. Занадто довге шліфування в одному місці може створити виїмку в поверхні та призвести до нерівномірної обробки.
- Часто перевіряйте заготовку, оскільки шліфувальні машини з випадковою орбітою працюють більш агресивно, ніж звичайні орбітальні машини.

1. Покладіть шліфувальну машину на заготовку й увімкніть шліфувальну машину.
2. Тримайте шліфувальний папір на заготовці в рівному положенні, переміщуйте шліфувальну машину від краю до краю заготовки та виконуйте обробку широкими смугами.
3. Спочатку шліфуйте грубозернистим наждачним папером і поступово зменшуйте зернистість використовуюваного паперу до досягнення бажаного результату. Наприклад, якщо ви використовуєте шліфувальну машину для деревини, почніть з зернистості 80, потім шліфуйте з зернистістю 120, потім — з зернистістю 180 і так далі.

Зняття фарби та лаку

1. Якщо вам необхідно зняти декілька шарів фарби або лаку, видалять якомога більше за допомогою розчинника для фарби або засобу для зняття лаку.
2. Видаліть залишки шпателем або іншим інструментом для зіскрібання та дайте поверхні охолонути та висохнути, перш ніж оброблювати заготовку шліфувальною машиною.
3. Щоб запобігти засміченню наждачного паперу, вибирайте крупнозернистий папір.
4. Щоб уникнути нагрівання та розм'якшення старого покриття (фарби або лаку), уникайте тривалого шліфування на одному місці.
5. Щоб досягти рівномірної обробки, працюйте широкими смугами внапуск.
6. Коли на заготовці почне проступати старе покриття, перейдіть на наждачний папір середньої зернистості, щоб уникнути подрапини на поверхні заготовки. Поступово зменшуйте зернистість паперу до досягнення бажаного результату.

ЧИСТКА



Завжди підтримувати чистоту вентиляційних отворів.






ОБСЛУГОВУВАННЯ

Використовувати тільки комплектуючі та запчастини Milwaukee. Деталі, заміна яких не описується, замінювати тільки в відділі обслуговування клієнтів Milwaukee (зверніть увагу на брошуру "Гарантія / адреси сервісних центрів").

У разі необхідності можна запросити креслення з зображенням вузлів машини в перспективному вигляді, для цього потрібно звернутися в ваш відділ обслуговування клієнтів або безпосередньо в Techntronic Industries GmbH, Max-Eyth-Straße 10, 71364 Winnenden, Німеччина, та вказати тип машини та шестизначний номер на фірмовій табличці з даними машини.

СИМВОЛИ

	Уважно прочитайте інструкцію з експлуатації перед введенням приладу в дію.
	УВАГА! ПОПЕРЕДЖЕННЯ! НЕБЕЗПЕЧНО!
	Перед будь-якими роботами на приладі виїняти змінну акумуляторну батарею.
	Не застосовувати силу.
	Під час роботи з машиною завжди носити захисні окуляри.
	Носити відповідну маску для захисту від пилу.
	Комплектуючі - не входять в обсяг постачання, рекомендовані доповнення з програми комплектуючих.
	Не утилізуйте відпрацьовані батарейки й відпрацьоване електричне та електронне обладнання разом з змішаними побутовими відходами. Відпрацьовані батарейки, відпрацьоване електричне та електронне обладнання необхідно збирати окремо. Відпрацьовані батарейки, відпрацьовані акумулятори, відпрацьовані джерела світла повинні бути вилучені з обладнання. Зверніться до місцевих органів влади або роздрібною продавця за порадою щодо утилізації та пункту збору. Відповідно до місцевих постанов, роздрібною продавці можуть бути зобов'язані безкоштовно забирати назад відпрацьовані акумулятори, електричне та електронне обладнання. Ваш внесок до повторного вживання та переробки відпрацьованих батарейок і відпрацьованого електричного та електронного обладнання допомагає зменшити попит на сировину. Відпрацьовані батарейки, зокрема, що містять літій, і відпрацьоване електричне та електронне обладнання містять цінні матеріали, які можуть бути перероблені, та мають негативний вплив на довкілля й здоров'я людей, якщо не будуть утилізовані у безпечний для довкілля спосіб. Видаліть особисті дані з відпрацьованого обладнання, якщо такі є.
n_0	Кількість обертів холостого ходу
V	Напруга

	Постійний струм
	Європейський знак відповідності
	Британський знак відповідності
	Український знак відповідності
	Євразійський знак відповідності

	الرجى قراءة التعليمات بعناية قبل بدء تشغيل الجهاز.
	تنبيه! تحذير! خطراً!
	انزع البطارية قبل التعامل مع الجهاز.
	لا تستخدم القوة
	ارتد دائماً نظارات الوقاية عند استخدام الجهاز.
	لا تستنشق هذه الأتربة. ارتد قناعاً واقياً من الأتربة مناسباً.
	الملحق - ليس مدرجاً كمعدة قياسية، متوفر كملحق.
	يحظر التخلص من البطاريات القديمة والأجهزة الكهربائية والإلكترونية القديمة سوياً مع القمامة المنزلية. يجب جمع البطاريات القديمة والأجهزة الكهربائية والإلكترونية والتخلص منها بشكل منفصل. أنزع البطاريات القديمة والمراكم القديمة والمصابيح من الأجهزة قبل التخلص منها. الرجاء الاستفسار لدى الجهات الرسمية في المكان أو لدى التجار المتخصصين عن مواقع إعادة الاستغلال ومواقع الجمع. وفقاً للوائح المحلية، قد يُطلب من تجار التجزئة استعادة البطاريات القديمة والأجهزة الكهربائية والإلكترونية القديمة مجاناً. ساهم في الحد من الحاجة إلى المواد الخام عن طريق إعادة استخدام البطاريات القديمة والأجهزة الكهربائية والإلكترونية القديمة الخاصة بك وإعادة تدويرها. تحتوي البطاريات القديمة (وعلى الأخص بطاريات أيون الليثيوم) والأجهزة الكهربائية والإلكترونية القديمة على مواد قيمة وقابلة لإعادة التدوير يمكن أن يكون لها آثار سلبية على البيئة وصحتك في حالة عدم التخلص منها على نحو يتماشى مع البيئة. قبل التخلص قم بحو البيانات الشخصية التي قد تكون على جهازك القديم.
n_0	أقصى سرعة دون وجود حمل
V	الجهد الكهربى
	علامة التوافق الأوروبية
	علامة التوافق البريطانية
	علامة التوافق الأوكرانية
	علامة التوافق الأوروبية الآسيوية

نقل بطاريات الليثيوم
تخضع بطاريات الليثيوم أيون لشرط قوانين نقل السلع الخطرة. ويجب نقل هذه البطاريات وفقاً للأحكام والقوانين المحلية والوطنية والدولية. يمكن للمستخدم نقل البطاريات براً دون الخضوع لشرط أخرى. يخضع النقل التجاري لبطاريات الليثيوم أيون عن طريق الغير إلى قوانين نقل السلع الخطرة. يتعين أن يقوم أفراد مدربيون جيداً بالإعداد لعملية النقل والقيام بها بصحبة خبراء مثلهم. متى تُنقل البطاريات:

عند التأكد من حماية أطراف توصيل البطارية وعزلها تجنباً لحدوث قصر بالدائرة. عند التأكد من حماية حزمة البطارية من الحركة داخل صندوق التعبئة. يُرجى عدم نقل البطاريات التي بها تشققات أو تسربات. يُرجى البحث مع شركة الشحن عن نصيحة أخرى

نصائح العمل
المنفردة بوجه عام باستخدام أجهزة المنفردة المدارية العشوائية
عند استخدام أجهزة المنفردة المدارية العشوائية هناك بعض الأشياء التي يجب وضعها في الاعتبار:

- بخلاف معظم أجهزة المنفردة، يجب وضع أجهزة المنفردة المدارية العشوائية على قطعة الشغل "قبل" بدء تشغيل الآداة. وإذا تم تشغيل جهاز المنفردة قبل وضعه على قطعة الشغل، فقد تدور البطانة العائمة الحرة بسرعة يمكن أن تسبب خدوشاً عند وضعها أخيراً على قطعة الشغل.
 - بخلاف معظم أجهزة المنفردة، يمكن تحريك أجهزة المنفردة المدارية العشوائية عبر قطعة الشغل في أي اتجاه (وفي حالة الخشب، بغض النظر عن اتجاه تجزيع الخشب).
 - قوة الضغط المتغيرة المطبقة على جهاز المنفردة ستؤثر على سرعته دوراتها. يُنصح باستخدام قوة ضغط خفيفة لمهام المنفردة الناعمة، وقوة ضغط متوسطة لمهام المنفردة الخشنة. إذ إن قوة الضغط المفرطة لا تسمح للبطانة بالدوران بدرجة كافية.
 - احتفظ ببطانة المنفردة مسطحة على قطعة الشغل. إمالة جهاز المنفردة أو استخدام حواف البطانة قد يؤدي إلى تشطيب غير متساوٍ وتقليل عمر البطانة.
 - استمر في تحريك جهاز المنفردة في أشواط عريضة متساوية عبر قطعة الشغل. حيث إن المنفردة في موضع واحد لفترة أطول من اللازم يمكن أن يتسبب في حدوث تقوير ونتائج منفردة غير متساوية.
 - افحص قطعة الشغل بشكل متكرر، فاجهزة المنفردة المدارية العشوائية تعمل بنهم أكبر من أجهزة المنفردة المدارية البسيطة.
1. ضع جهاز المنفردة على قطعة الشغل وشغل جهاز المنفردة.
 2. احتفظ بلوح المنفردة مسطحاً على قطعة الشغل، واستمر في تحريك جهاز المنفردة عبر قطعة الشغل، واستخدم أشواط مسح طولية.
 3. ابدأ المنفردة بورق سفرة بحبيبات خشنة واستخدم تدريجياً ورق سفرة بحبيبات ناعمة أكثر فأكثراً حتى الوصول إلى مستوى التشطيب المرغوب. على سبيل المثال، عند استخدام جهاز المنفردة على الخشب، ابدأ بورق سفرة بحبيبات 80 متبوعاً بورق بحبيبات 120، ثم ورق بحبيبات 180 وهكذا.

إزالة الطلاء أو الورنيش

1. عند إزالة عدة طيفات من الطلاء أو الورنيش، احرص على إزالة أكبر قدر ممكن باستخدام مذيب الطلاء أو مزيل الورنيش.
2. اكتشط البقايا بسكين معجون أو أي أداة كشط أخرى اترك السطح يبرد ويجف قبل استخدام جهاز المنفردة على قطعة الشغل.
3. اختر لوح ورق سفرة بحبيبات خشنة للمساعدة في منع معاورة ورق المنفردة.
4. استمر في تحريك جهاز المنفردة فوق مناطق جديدة لتجنب تسخين وتنعيم طبقة الطلاء القديمة (الطلاء أو الورنيش).
5. اصل في أشواط عريضة ومتراكبة للحصول على مستوى تشطيب متناسق.
6. عندما يبدأ سطح قطعة الشغل في الظهور بعد إزالة طبقة الطلاء القديمة، بذل إلى لوح ورق سفرة بحبيبات متوسطة لتجنب خدش سطح قطعة الشغل. بذل تدريجياً إلى ورق سفرة بحبيبات ناعمة حتى تحصل على مستوى التشطيب المرغوب.

التنظيف

يجب أن تكون فتحات تهوية الجهاز نظيفة طوال الوقت.

الصيانة

استخدم فقط ملحقات ميلوكي وكذلك قطع غيار ميلوكي. إذا كانت المكونات التي يجب تغييرها غير متوفرة، يرجى الاتصال بأحد عملاء صيانة ميلوكي (انظر قائمة عناوين الضمان/الصيانة الخاصة بنا).

عند الحاجة يمكن طلب رمز انفجار الجهاز بعد ذكر طراز الآلة والرقم السداسي المذكور على بطاقة طاقة الآلة لدى جهة خدمة العملاء أو مباشرة لدى شركة

Techntronic Industries GmbH

Max-Eyth-Straße 10

71364 Winnenden

ألمانيا

البيانات الفنية	
الطراز	M18 BQSS
إنتاج عدد	صنفرة متذبذبة
فولطية البطارية	4914 11 01 XXXXXX MJJJJ
أقصى سر عة دون وجود حمل	18 V ==
فطر الحركة المدارية	11.000 - 13.000 min ⁻¹
إبعاد لوحة الجلج	1,6 mm
الوزن وفقا لنهج EPTA رقم 01/2014 (Li-Ion 2,0 Ah ... 12,0 Ah)	113 x 104 mm
درجة حرارة البيئة المحيطة المنصوح بها من أجل التشغيل	1,66 ... 2,72 kg
البطاريات المنصوح بها	-18 ... +50 °C
جهاز الشحن المنصوح به	M18B...; M18HB...
	M12-18...; M1418C6

معلومات الضوضاء: القيم التي تم قياسها محددة وفقا للمعايير الأوروبية EN 62841 مستويات ضوضاء الجهاز، ترجيحاً بشكل نموذجي كالتالي:

مستوى ضغط الصوت / الارتياح في القياس

مستوى شدة الصوت / الارتياح في القياس

ارتد واقيات الأذن!

معلومات الاهتزاز: قيم التذبذبات الإجمالي (مجموع الكميات الموجهة في المحاور الثلاثة) محددة وفقاً للمعايير الأوروبية EN 62841.

قيمة انبعاث التذبذبات a_{Hv} / الارتياح في القياس

78,28 dB (A) / 3 db (A)

89,28 dB (A) / 3 db (A)

5,23 m/s² / 1,50 m/s²

⚠ تحذير!

تم قياس مستوى الاهتزاز وانبعاث الضوضاء الوارد في ورقة المعلومات هذه، وفقاً لاختبار قياسي محدد في المواصفة EN 62841، ويمكن استخدامه لمقارنة آلة مع أخرى. كما يمكن استخدام ذلك أيضاً في إجراء تقييم أولي للتعرض.

يمثل مستوى الاهتزاز وانبعاث الضوضاء المعلن عنه الاستخدامات الأساسية للآلة. ومع ذلك، إذا استعملت الآلة في استخدامات مختلفة، أو بمحلات مختلفة، أو تم صيانتها على نحو سيئ، فقد يختلف مستوى الاهتزاز وانبعاث الضوضاء. وهذا قد يزيد -إلى حد كبير- من مستوى التعرض خلال مدة العمل الإجمالية.

عند تقييم مستوى التعرض للاهتزاز والضوضاء، ينبغي أيضاً أن يوضع في الاعتبار فترات إطفاء الآلة أو تشغيلها دون أن تقوم بأي وظيفة فعلياً. فهذا قد يقلل -إلى حد كبير- من مستوى التعرض خلال مدة العمل الإجمالية.

تعرف على تدابير السلامة الإضافية؛ لحماية المشغل من تأثيرات الاهتزاز أو الضوضاء أو كليهما، مثل: صيانة الآلة وملحقاتها، والحفاظ على دفة اليدين، وتنظيم نماذج العمل.

⚠ تحذير! اقرأ جميع تعليمات السلامة والإرشادات والشروح والبيانات المرفقة مع الجهاز.

قد يؤدي عدم مراعاة التعليمات المدرجة أدناه إلى التعرض للإصابة بصدمة كهربية أو الحرق و/أو إصابة خطيرة.

احتفظ بجميع التنبيهات والتعليمات للرجوع إليها مستقبلاً.

تعليمات السلامة لأجهزة السنفرة

غبار السنفرة المجمع من طلاءات أسطح السنفرة مثل البولي يوريثان وزيت بذر الكتان وخلافه يمكن أن يشتعل ذاتياً في كيس تجميع غبار السنفرة أو في أي مكان آخر ويتسبب في نشوب حريق. لتقليل خطر نشوب حريق، احرص دائماً على تفريغ كيس تجميع الغبار بشكل متكرر (10-15 دقيقة) أثناء السنفرة ولا تقم أبداً بتخزين أو ترك جهاز السنفرة دون التفريغ التام لكيس تجميع الغبار الخاص به. واتبع كذك توصيات الشركات المصنعة للطلاءات.

إرشادات امان وعمل إضافية

لا تصل أبداً إلى منطقة الخطر للآلة عندما تكون قيد التشغيل.

لا يجب إزالة النشارة والشظايا أثناء تشغيل الآلة.

استخدم معدة الوقاية. ارتد دائماً نظارة الوقاية عند العمل بالآلة.

قد تكون الأتربة الناتجة عن استخدام هذه الآلة ضارة بالصحة. لا تستنشق هذه الأتربة. استخدم نظام امتصاص الأتربة وارتد قناعاً واقياً من الأتربة مناسباً. قم بإزالة الأتربة الموجودة تماماً، باستخدام المكنسة الكهربائية على سبيل المثال.

لا يجوز استخدام مواد ينجم عنها أضرار على الصحة (حريز سحري).

قم بإيقاف تشغيل الماكينة مباشرة في حالة حدوث اهتزازات شديدة أو غير ذلك من أعطال التشغيل. افحص الماكينة للتعرف على السبب.

قطعة التصنيع التي يجب معالجتها يجب أن تكون مثبته، طالما أنها لن تكون ثابتة من خلال وزنها.

لا تدع أي جزء معدنية تلمس فتحات التهوية - خطر قصر الدائرة!

تحذير! تحذير! لتجنب أخطار الحريق أو الإصابة أو الإضرار بالمنتج التي تنجم عن الماس الكهربائي، لا تعمر الأداة أو البطارية القابلة للاستبدال أو جهاز الشحن في السوائل وأحرص على أن لا تصل السوائل إلى داخل الجهاز والبطارية. السوائل المؤدية للتآكل أو الموصلة للتيار الكهربائي، مثل الماء المالح ومركبات كيميائية معينة ومواد التبييض أو المنتجات التي تشمل على مواد تبيض، يمكن أن تؤدي إلى حدوث ماس كهربائي.

استخدم آلات السنفرة والتلميع Milwaukee الأصلية المزودة بأدوات الربط فيلكرو ذاتية الاتصال.

لا تقم أبداً بفتح قفل البطارية والشواحن ولا تخزينهم إلا في غرف جافة. وحافظ عليها جاف طوال الوقت.

استخدم فقط شواحن System M18 لشحن بطاريات System M18.

شروط الاستخدام المحددة

يمكن استخدام جهاز السنفرة لغرض سنفرة الخشب والبلاستيك والمعدن والحشوات والأسطح المطلية.

لا تستخدم المنتج بأي طريقة غير الموضحة للاستخدام المقصود.

المخاطر المتبقية

أيضاً عند الاستخدام الصحيح لا يمكن استبعاد جميع المخاطر المتبقية. عند الاستعمال قد تنشأ المخاطر التالية التي يجب على المستخدم مراعاتها بشكل خاص.

- الإصابات التاجمة عن الاهزازات. أمسك الجهاز من المقابض المخصصة لذلك وحدد أوقات العمل وخطة العمل.
- يمكن أن تسبب الضوضاء في أضرار سمعية. لذا يرح ارتداء واقي للسمع وقم بتحديد فترة العمل.
- إصابات العين الناجمة عن جزيئات القذورات. ارتدي دائماً نظارة واقية، وبنظون طويل وقذارات وحذاء واقٍ
- استنشاق الأتربة السامة.

إرشادات خاصة ببطاريات أيون الليثيوم القابلة للشحن

استخدام بطاريات أيون الليثيوم القابلة للشحن

يجب إعادة شحن البطارية غير المستخدمة لفترة قبل الاستخدام.

تقلل درجات الحرارة التي تتجاوز 50° سيليزيوس (122° فهرنهايت) من أداء البطارية. تجنب التعرض الزائد للحرارة أو أشعة الشمس (خطر السخنين)..

يجب الحفاظ على محتويات الشاحن و البطاريات نظيفة.

للحصول على فترة استخدام مثالية، يجب شحن البطاريات تماماً، بعد الاستخدام. للحصول على أطول عمر ممكن للبطارية، انزع البطارية من الشاحن بمجرد شحنها تماماً.

لتخزين البطارية أكثر من 30 يوم:

خزن البطارية بحيث تكون درجة الحرارة أقل من 27° سيليزيوس وبعيدا عن أي رطوبة

خزن البطارية مشحونة بنسبة تتراوح بين 50% - 30

اشحن البطارية كالمعتاد، وذلك كل ستة أشهر من التخزين.

حماية بطاريات أيون الليثيوم القابلة للشحن من التحميل الزائد

في حالات العزم العالي، أو إعاقة الحركة أو التوقف المفاجئ أو القصور في الدائرة الكهربائية الذي ينتج عنه سحب لفر كبير من التيار الكهربائي، ستصدر الأداة نبذبات لمدة 5 ثوان، وسيضيء مقياس الوقود ثم تتوقف عن العمل.

لإعادة الضغط حرر الزناد. في الظروف القصوى للعمل، قد ترتفع درجة الحرارة الداخلية للبطارية ارتفاعاً شديداً. إذا حدث ذلك، سيضيء مقياس الوقود حتى تنخفض درجة حرارة البطارية. بعد انطفاء الأضواء، يمكنك متابعة العمل.

EC DECLARATION OF CONFORMITY

We declare as the manufacturer under our sole responsibility that the product described under "Technical Data" fulfills all the relevant regulations and directives listed below and that the following harmonized standards have been used.

EG-KONFORMITÄTSEKLERUNG

Wir erklären als Hersteller in alleiniger Verantwortung, dass das unter „Technische Daten“ beschriebene Produkt alle nachstehend aufgeführten relevanten Verordnungen und Richtlinien erfüllt und dass die folgenden harmonisierten Normen angewandt wurden.

DÉCLARATION CE DE CONFORMITÉ

Nous déclarons en tant que fabricant et sous notre seule responsabilité, que le produit décrit dans « Données techniques » est conforme à toutes les réglementations et directives pertinentes mentionnées ci-après et que les normes harmonisées suivantes ont été appliquées.

DICHIARAZIONE CE DI CONFORMITÀ

In qualità di produttore dichiariamo sotto la nostra esclusiva responsabilità che il prodotto descritto nei "Dati tecnici" è conforme a tutti i regolamenti e tutte le direttive pertinenti elencati qui di seguito e che sono state usate le seguenti norme armonizzate.

DECLARACIÓN CE DE CONFORMIDAD

Declaramos como fabricante y bajo nuestra responsabilidad que el producto descrito bajo "Datos técnicos" está en conformidad con todos los reglamentos y directivas detallados a continuación y que se han utilizado las siguientes normas armonizadas.

DECLARAÇÃO CE DE CONFORMIDADE

Como fabricante, declaramos sob responsabilidade exclusiva, que o produto descrito sob "Dados Técnicos" corresponde com todos os regulamentos e diretivas abaixo que as seguintes normas harmonizadas foram utilizadas.

EG-VERKLARING VAN OVEREENSTEMMING

Wij als fabrikant verklaren in uitsluitende verantwoording dat het onder "Technische gegevens" beschreven product aan alle onderstaand vermelde relevante verordeningen en richtlijnen voldoet en dat de volgende geharmoniseerde normen werden toegepast.

EF-OVERENSSTEMMELSESERKLÆRING

Vi erklærer som producent og eneansvarlig, at produktet, der er beskrevet under "Tekniske data", opfylder kravene i alle relevante forordninger og direktiver som nævnt nedenfor og at nedenstående harmoniserede standarder er blevet anvendt.

EF-SAMSVARSERKLÆRING

Som producent erklærer vi under eget ansvar at produktet som beskrives under « Tekniske data » opfylder alle relevante forordninger og direktiver som står opført nedenfor og at de følgende harmoniserede standarder har blitt brukt.

EG-FÖRSÄKRAN ÖVERENSSTÄMMELSE

Vi som tillverkare förklarar under eget ansvar, att den produkt som beskrivs under "Tekniska data" överensstämmer med alla de nedan angivna relevanta förordningarna och direktiven och att de följande harmoniserade normen har tillämpats.

EY-VAATIMUSTENMUKAISUUSVAKUUTUS

Vakuutamme valmistajan ominaisuudessa yksinvastuullisesti, että kohdassa "Tekniset tiedot" kuvattu tuote täyttää kaikki seuraavassa luetellut sitä koskevat asetukset ja direktiivit ja että seuraavia harmonisoituja standardeja on sovellettu.

ΑΝΑΩΣΗ ΣΥΜΜΟΡΦΩΣΗΣ ΕΚ

Ως κατασκευαστής δηλώνουμε υπεύθυνα ότι το προϊόν που περιγράφεται στο κεφάλαιο «Τεχνικά Χαρακτηριστικά», πληροί όλους τους κανονισμούς κι όλες τις οδηγίες που αναφέρονται σχετικά παρακάτω, και για το οποίο έχουν εφαρμοστεί τα ακόλουθα εναρμονισμένα πρότυπα.

AT UYGUNLUK BEYANI

Üretici sıfatıyla tek sorumlu olarak "Teknik Veriler" bölümünde tarif edilen ürünün aşağıda sıralanan bütün ilgili yönetmelik ve direktiflere uygun olduğunu ve aşağıdaki uyumlaştırılmış standartların kullanılacağını beyan etmekteyiz.

ES PROHLÁŠENÍ O SHODĚ

My jako výrobce prohlašujeme na svou vlastní odpovědnost, že produkt popsáný v části „Technické údaje“ splňuje všechna příslušná nařízení a směrnice uvedené níže a že byly použity následující harmonizované normy.

ES VYHLÁŠENIE O ZHODE

My ako výrobca vyhlasujeme na vlastnú zodpovednosť, že produkt popísaný v časti „Technické údaje“ spĺňa všetky príslušné nariadenia a smernice uvedené nižšie a že boli použité nasledujúce harmonizované normy.

DEKLARACJA ZGODNOŚCI WE

Jako producent oświadczamy na naszą wyłączną odpowiedzialność, że produkt opisany w punkcie „Dane techniczne” odpowiada wszystkim poniższym istotnym rozporządzeniom oraz dyrektywom, a także iż zastosowano poniższe zharmonizowane normy.

EK-MEGFELELŐSÉGI NYILATKOZAT

Gyártóként egyedüli felelősséggel kijelentjük, hogy a „Műszaki Adatok” alatt leírt termék megfelel a következőkben felsorolt minden releváns rendeletnek és irányelvnek, és hogy a következők harmonizált szabványok kerültek használatra.

ES-IZJAVA O SKLADNOSTI

Mi kao proizvođač izjavljujemo na osobnu odgovornost, da je proizvod, opisan pod "Tehnički podaci", sukladan sa svim relevantnim propisima i u nastavku navedenim smjericama i harmoniziranim normativima dokumenata.

IZJAVA O SUKLADNOSTI

Mi kao proizvođač izjavljujemo na osobnu odgovornost, da proizvod opisan pod "Tehnički podaci", ispunjava sve u nastavku navedene relevantne odredbe i smjernice i da su sljedeće harmonizirane norme bile primijenjene.

EK ATBILSTĪBAS DEKLARĀCIJA

Mēs kā ražotājs un vienīgā atbildīgā persona apliecinām, ka "Tehniskajos datos" raksturotais produkts atbilst visiem attiecīgajiem noteikumiem un vadlīnijām, kas uzskaitītas turpmāk, un ka ir izmantoti šādi saskaņotie standarti.

EB ATITIKTIES DEKLARACIJA

Gamintojo vardu atsakingai pareiškiame, kad gaminys, aprašytas skyriuje „Techniniai duomenys“, atitinka visus toliau išvardytus susijusių reglamentų, direktyvų ir darnųjų standartų taikomus reikalavimus.

EÜ VASTAVUSDEKLARATSIOON

Kinnitame tootjana ainuiskuliselt vastutades, et jaotises „Tehnilised andmed“ kirjeldatud toode on kooskõlas alpool nimetatud direktiivide asjaomaste eeskirjade ja ühtlustatud normdokumentidega ning et on kasutatud järgmisi ühtlustatud standardeid.

ДЕКЛАРАЦИЯ СООТВЕТСТВИЯ ЕС

Мы как производитель под собственную ответственность заявляем о том, что описанное в разделе «Технические характеристики» изделие отвечает всем нижеперечисленным соответствующим предписаниям и директивам и что в отношении него применяются следующие гармонизированные стандарты.

DEKLARACIJA ZA СЪОТВЕТСТВИЕ НА ЕО

V качестве то си на производител декларираме на собствена отговорност, че продуктът, описан в „Технически данни“, отговаря на всички изброени по-нататък приложими регламенти и директиви и че са използвани посочените хармонизирани стандарти.

DECLARAȚIE DE CONFORMITATE CE

În calitate de producător declarăm pe propria răspundere că produsul descris la "Date tehnice" este în concordanță cu toate regulamentele și directivele relevante de mai jos și că au fost utilizate următoarele norme armonizate.

EK-DEKLARACIJA ZA SOOBRAZNOT

Kako proizvođač, izjavjuvamo pod celopisna odgovornost дека производот опишан во „Технички податоци“ подолу е во согласност со сите релевантни одредби и регулативи наведени подолу и дека се користени следниве усогласени стандарди.

ДЕКЛАРАЦИЯ ЕС ПРО ВІДПОВІДНІСТЬ

Як виробник, ми заявляємо на власну відповідальність, що виріб, описаний у розділі "Технічних даних", відповідає всім застосовним положенням директив і приписам перерахованим нижче, і що щодо нього були використані наступні гармонізовані стандарти.

إقرار المطابقة وفقاً للمواصفات الاتحاد الأوروبي بموجب هذا نعلن كشركة منتجة وعلى مسؤوليتنا المنفردة، أن المنتج الموصوف تحت "البيانات الفنية" يطابق جميع الأوامر والتوجيهات الهامة المذكورة فيما يلي وقد جرى فيها استخدام معايير التوافق التالية.

2011/65/EU (RoHS)

2014/30/EU

2006/42/EC

EN 62841-1:2015

EN 62841-2-4:2014

EN IEC 55014-1:2021

EN IEC 55014-2:2021

EN IEC 63000:2018

Winnenden, 2022-03-04

Alexander Krug
Managing Director



Authorized to compile the technical file

Bevollmächtigt die technischen Unterlagen zusammenzustellen.

Autorisé à compiler la documentation technique.

Autorizzato alla preparazione della documentazione tecnica

Autorizado para la redacción de los documentos técnicos.

Autorizado a reunir a documentação técnica.

Gemachtigd voor samenstelling van de technische documenten

Autoriseret til at udarbejde de tekniske dokumenter.

Autoriseret til å utarbeide den tekniske dokumentasjonen

Befullmäktigad att sammanställa teknisk dokumentation.

Valtuutettu kokoamaan tekniset dokumentit.

Εξουσιοδοτημένος να συντάξει τον τεχνικό φάκελο.

Teknik evrakları hazırlamakla görevlendirilmiştir.

Zplnomocněn k sestavování technických podkladů.

Spĺnomocnený zostaviť technické podklady.

Upełnomocniony do zestawienia danych technicznych

Műszaki dokumentáció összeállításra felhatalmazva

Pooblaščen za izdelavo spisov tehnične dokumentacije.

Ovlašten za formiranje tehničke dokumentacije.

Pilnvarotais tehnikās dokumentācijas sastādīšanā.

Igalīotās parengti tehnius dokumentus.

On volitatud koostama tehnilist dokumentatsiooni.

Уполномочен на составление технической документации.

Упълномощен за съставяне на техническата документация

Ïmputernic sã elaboreze documentația tehnicã.

Ополномоштен за составување на техничката документација.

Уповноважений из складання технічної документації.

معمتدة للمطابقة مع الملف الفني

Techtronic Industries GmbH

Max-Eyth-Straße 10

71364 Winnenden

Germany

GB-DECLARATION OF CONFORMITY

We declare as the manufacturer under our sole responsibility that the product described under "Technical Data" fulfills all the listed below relevant regulations and that the following designated standards have been used.

S.I. 2012/3032 (as amended)

S.I. 2016/1091 (as amended)

S.I. 2008/1597 (as amended)

BS EN 62841-1:2015

BS EN 62841-2-4:2014

BS EN IEC 55014-1:2021

BS EN IEC 55014-2:2021

BS EN IEC 63000:2018

Winnenden, 2022-03-04

Alexander Krug
Managing Director

Techtronic Industries GmbH

Max-Eyth-Straße 10

71364 Winnenden

Germany

Authorized to compile the technical file:

Techtronic Industries (UK) Ltd

Parkway

Marlow, SL7 1YL

UK

Copyright 2022
Techtronic Industries GmbH
Max-Eyth-Straße 10
71364 Winnenden
Germany
+49 (0) 7195-12-0
www.milwaukeeetool.eu

Techtronic Industries (UK) Ltd
Parkway
Marlow, SL7 1YL
UK

(03.22)

4931 4251 18